



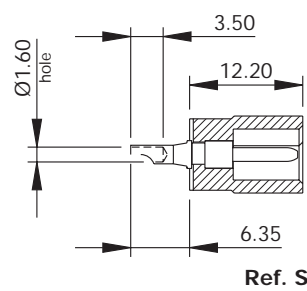
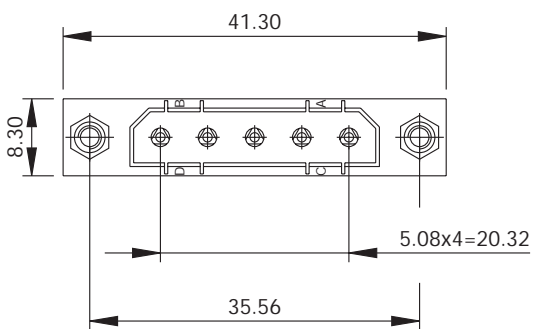
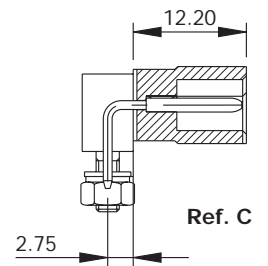
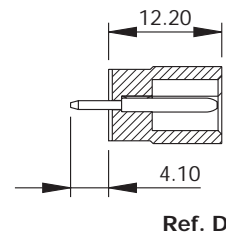
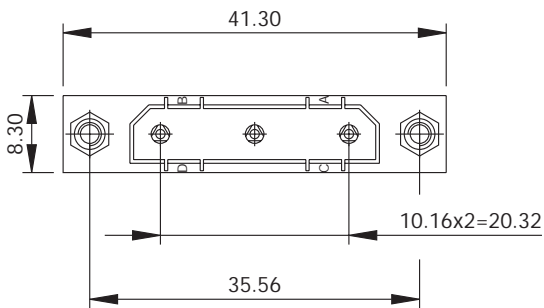
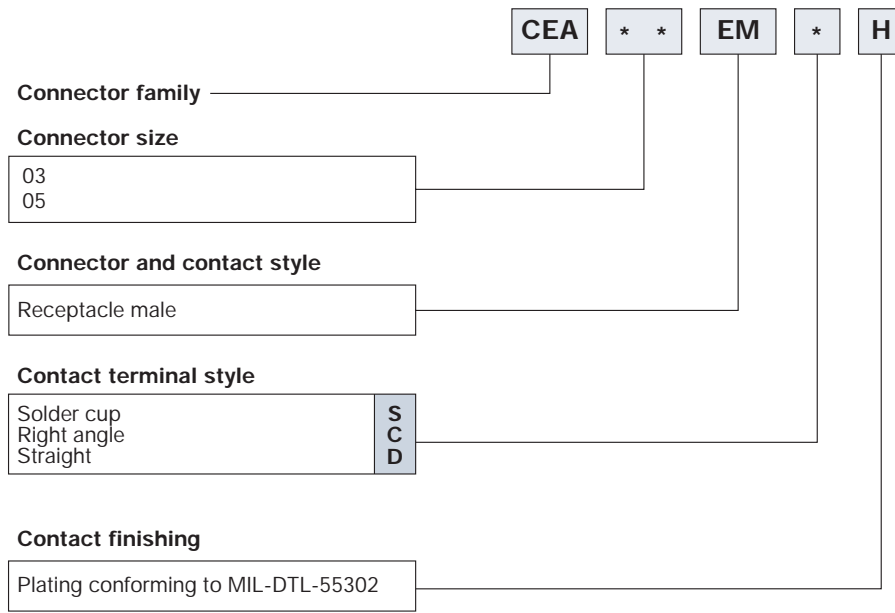
## Plastic Shell D-type Data Transfer Connectors

- Offset grid contact layout, one or two contact rows within dielectric connector body, 5.08 mm center-to-center contact spacing in each row and 5.08 mm row-to-row spacing if applicable.
- 1.5 mm nominal pin DIA contact size; 3, 5 and 9 contact positions; hand solder, dip solder and crimp termination styles.
- High shock and vibration proof.
- For Industrial applications.

### Technical Characteristics

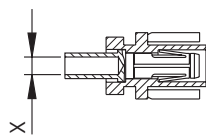
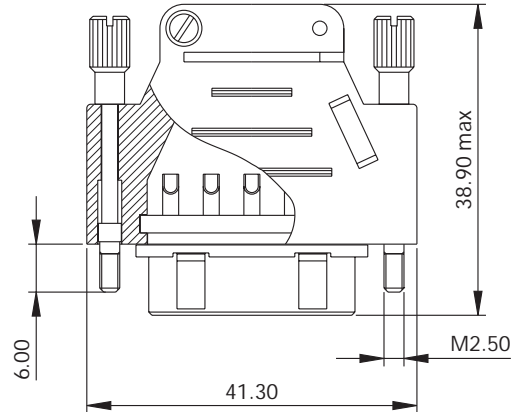
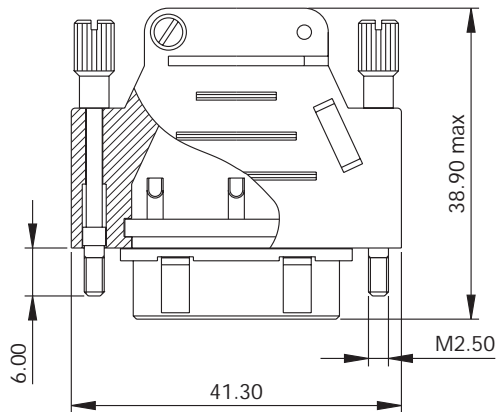
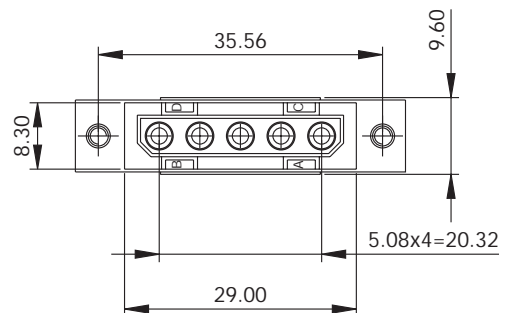
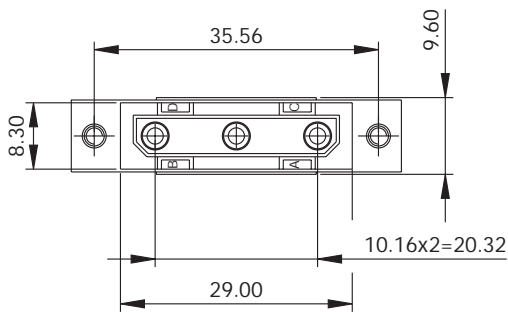
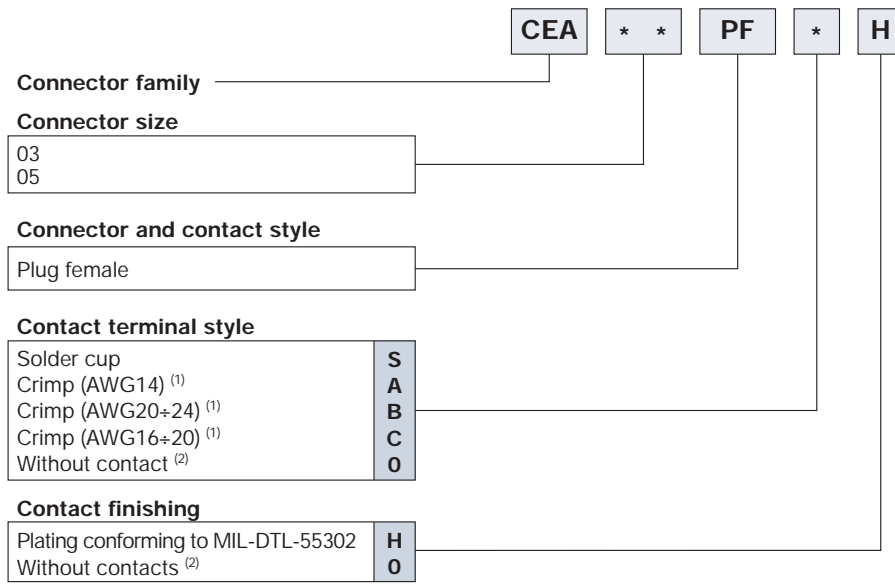
Contact Number	3, 5, 9
Contact Diameter	1.5 mm nominal pin DIA
Current Rating	8A
Contact Life Cycle	100000
Dielectric Withstanding Voltage	2000 VRMS –sea level
Temperature Range	-65 °C to +125 °C
Insulation Resistance	>10 <sup>6</sup> MΩ at 500 V d.c.
Insulator	PE, V0 per UL94
Contact Plating - Material - Plating	Brass Gold
Contact Resistance	≤2.5 mΩ

Ordering Information - Receptacle 3 & 5 contact positions

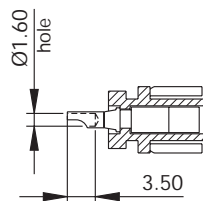


Dimensions are in mm

Ordering Information - Plug 3 & 5 contact positions



Ref. A X=Ø1.10  
Ref. B X=Ø1.20  
Ref. C X=Ø1.80



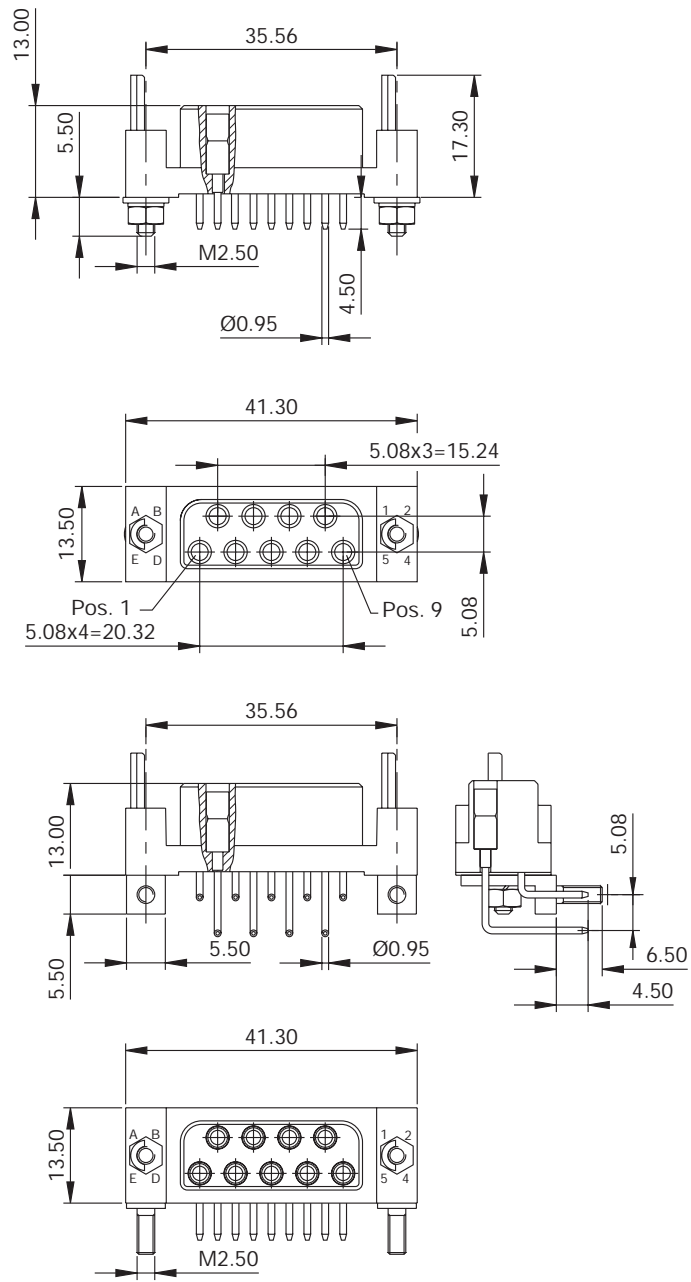
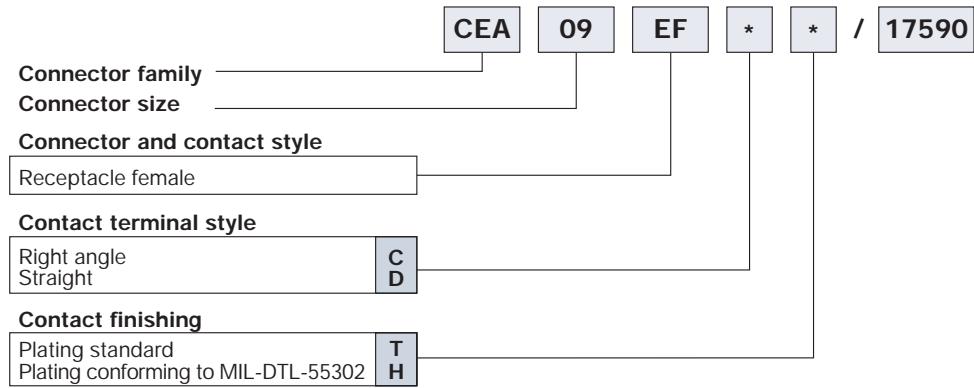
Ref. S

NOTES:

- <sup>(1)</sup> The contacts are supplied NOT ASSEMBLED
- <sup>(2)</sup> Only for connectors with crimp contacts

Dimensions are in mm

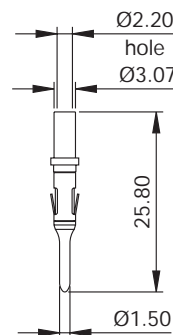
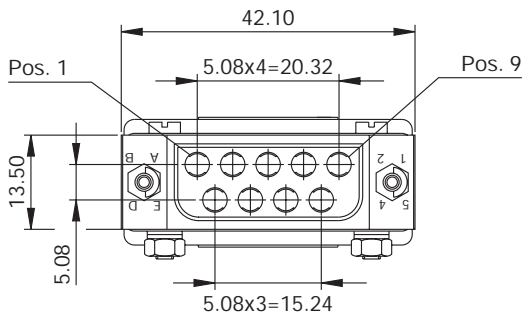
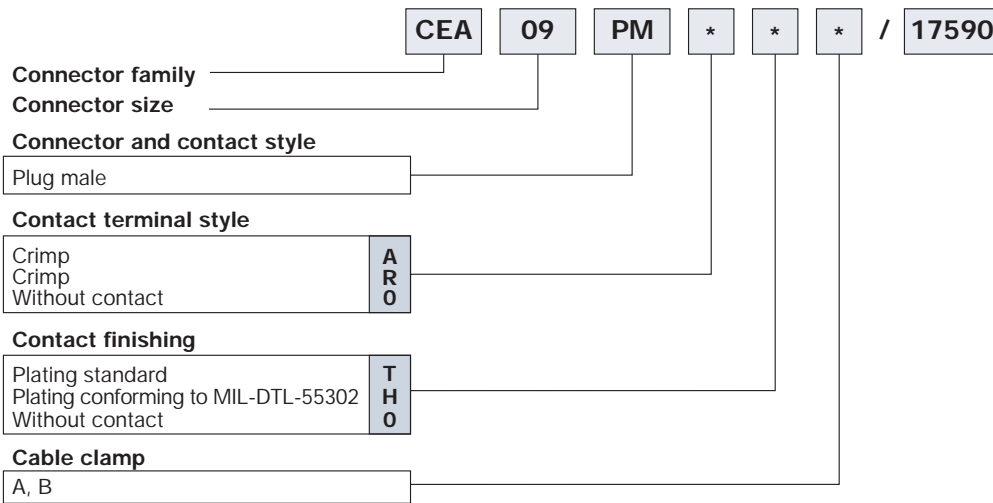
Ordering Information - Receptacle, right angle, straight termination



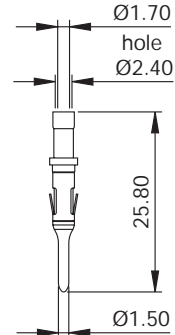
NOTES:  
 (1) Standard codify: pos. F6

Dimensions are in mm

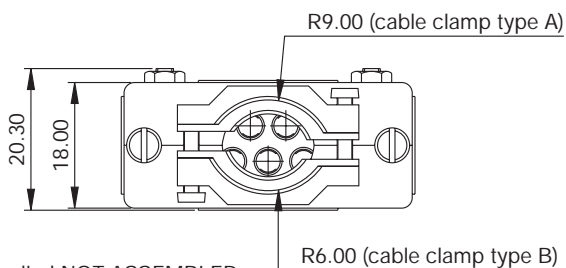
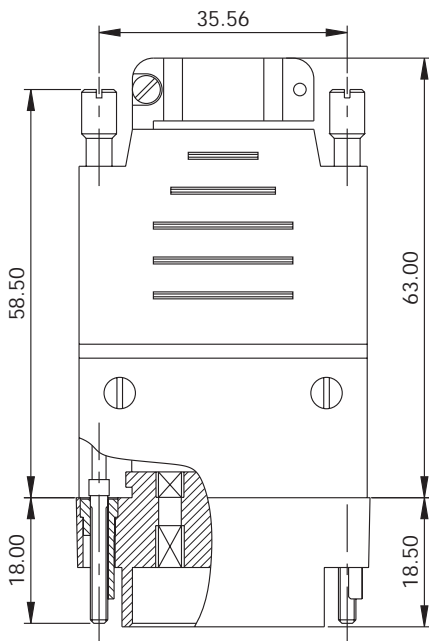
Ordering Information - Plug, right angle, straight termination



Ref. A



Ref. R



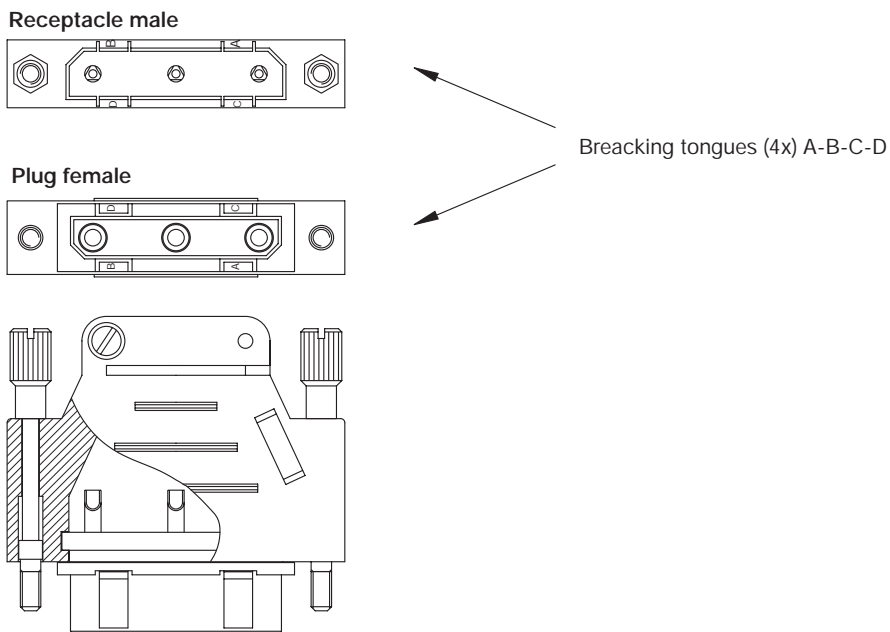
NOTES:

- (1) The contacts are supplied NOT ASSEMBLED
- (2) Standard code: pos. F6

Dimensions are in mm

Hardware code

**Coding system for connectors 3 and 5 contact positions**



**Coding key for connectors 9 ways**



- Notes:
- C, F letters and 3,6 numbers not marked
  - 36 possible combinations A+F, 1+6

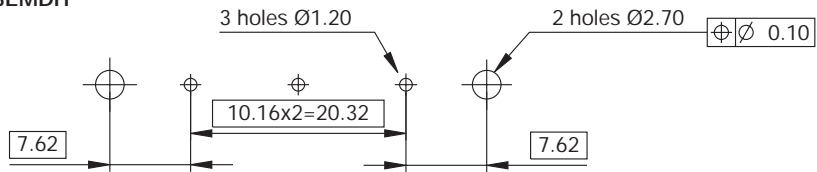
**Crimping instructions**

Contact type	Barrel size	Crimp tool	Crimp positioner	Stripping length (mm)
3, 5 Ways	"A"	AWG14 Ref. Daniels: AF8 Ref. Military: M22520/1-01	Ref. order: 15807	7.1+7.5
	"B"	AWG20+24 Ref. Daniels: AF8 Ref. Military: M22520/1-01	Ref. order: 15807	6.4+6.8
	"C"	AWG16+20 Ref. Daniels: AF8 Ref. Military: M22520/1-01	Ref. order: 15807	7.1+7.5
9 Ways	"A"	AWG14 Ref. Daniels: AF8 Ref. Military: M22520/1-01	Ref. order: 15807	7.1+7.5
	"R"	AWG20+24 Ref. Daniels: AF8 Ref. Military: M22520/1-01	Ref. order: 15807	Ø ext. cable <2.40 L=5.40 Ø ext. cable >2.40 L=7.20

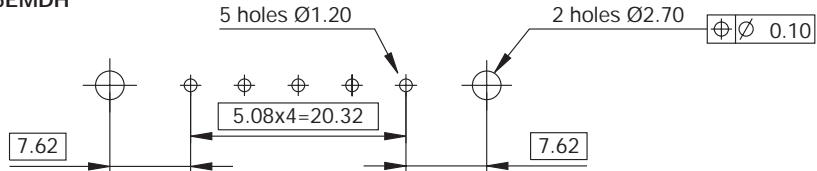
Contact removal tool: ref. order 15808

### Mounting pattern

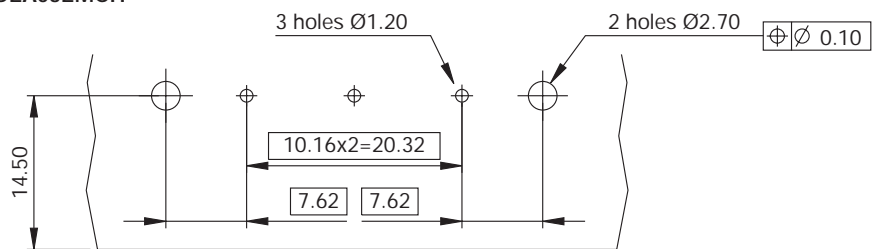
Connector type: **CEA03EMDH**



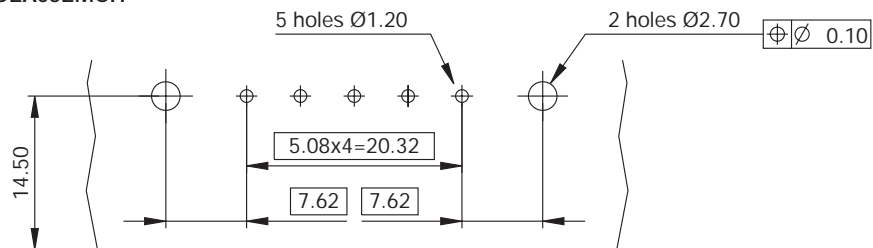
Connector type: **CEA05EMDH**



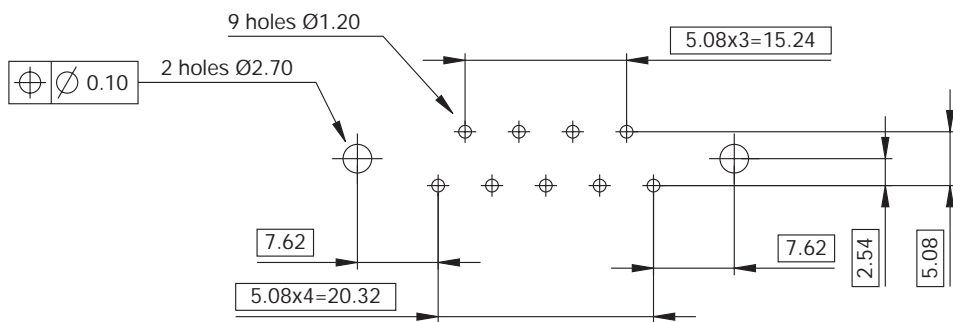
Connector type: **CEA03EMCH**



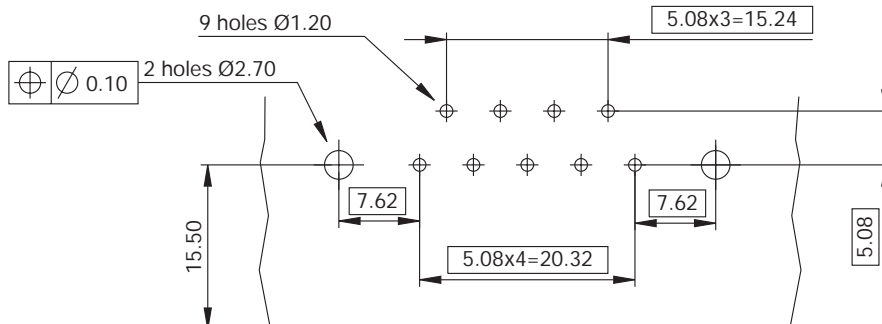
Connector type: **CEA05EMCH**



Connector type: **CEA09EFD**



Connector type: **CEA09EFC**



Dimensions are in mm