



Push/pull Quick Disconnect Metal Connectors, Signal and Power

- Up to 25 ways.
- Modularity mixed signal & power contacts.
- Clip contact retaining system.
- Easy quick disconnect Push Pull locking system.
- >10 000 mating and unmating cycles.
- Sealed IP56
- Visual check of right locking.

Technical Characteristics

MECHANICAL		ELECTRICAL	
SHELL		Insulation resistance >10 ⁵ MΩ (under 500 VDC)	
Material	Brass	ENVIRONMENTAL DJ DK DL DM	
Plating	Nickel	Environmental category	Standard: -55° +125° 56 days NFC 20-700
INSERT		Environmental level	IP 56 NFC 20-010
Insulator	Diallyl - phtalate		
Contacts	Brass		
Plating	Au/Ni		
SEALS			
Material	Neopren or silicon		
Insertion and extraction force by contact			
	Ø 0,60: 0,70N Maxi	Ø 0,76: 0,90N Max	
	Ø 1,00: 1,00N Maxi	Ø 1,20: 1,20N Max	
	Ø 1,50: 1,40N Maxi	Ø 2,00: 4,00N Max	
	Ø 2,50: 7,00N Maxi	Ø 3,50: 9,00N Max	

Ordering Information

D
J .
0 4 1
1 3
4 0
1
4

FAMILY

SHELL

J . JD K . L . M .

ARRANGEMENT

example

Nb	4
Ø	1

To choose corresponding reference to number and Ø of the contacts in chart see "arrangement" overview

PART POLARITY

Male plug	13	Male receptacle	23
Female plug	12	Female receptacle	22
Male extension	33		
Female extension	32		

TERMINATION

Crimp	20
Solder	40

CABLE CLAMP TYPE

Shell DJ, DJD, DK, DL, DM,

Cable Clamp	1
Cable Clamp + Seal	2
C.C. + Shielding for DJ,DK,DL Shells	3

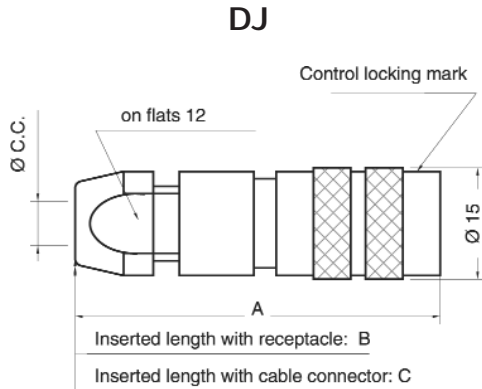
CABLE CLAMP Ø

Shells Type

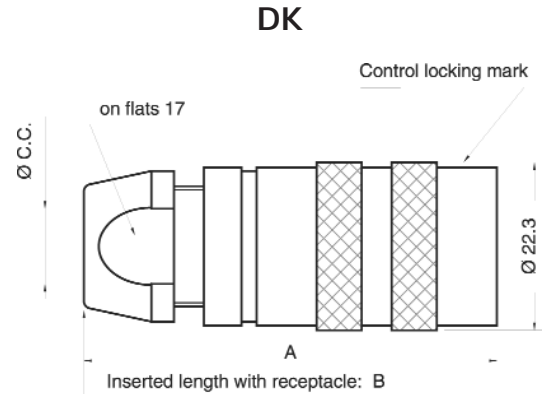
DJ&DJD	DK	DL	DM	Reference
Ø 4	Ø 5	Ø 8	Ø 14	1
Ø 4,30	Ø 7	Ø 10	Ø 16	2
Ø 4,90	Ø 8	Ø 12	Ø 18	3
Ø 6,50	Ø 10	Ø 14	Ø 20	4
	Ø 11			5

Dimensions

Female or male plug

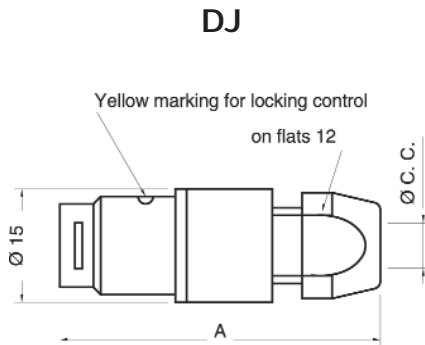


Dimensions			Cable Clamp (C.C.)	Type
A	B	C		
45	48	72	C.C. unproof	1
53	56	91	C.C. sealed-gasket	2
42	45	75	C.C. for shielded cable	3

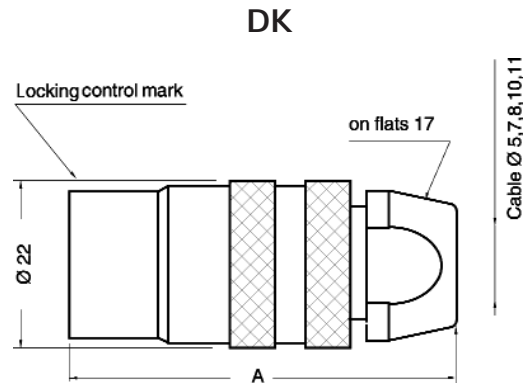


Dimensions			Cable Clamp (C.C.)	Type
A	B			
55	62		C.C. unproof	1
68	75		C.C. sealed-gasket	2
55	62		C.C. for shielded cable	3

Female or male extension

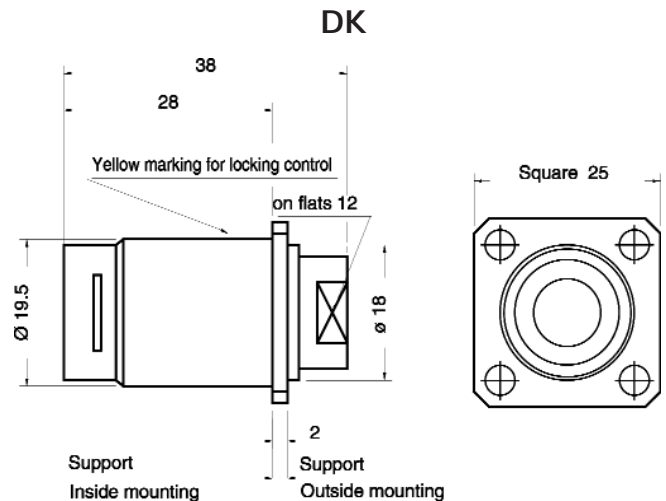
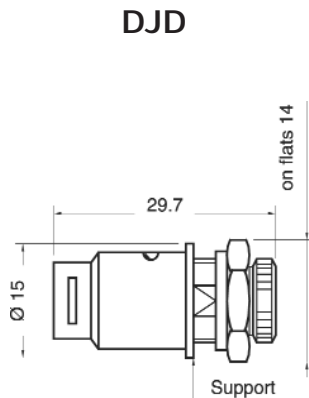


Dimensions	Cable Clamp (C.C.)	Type
A		
43	C.C. unproof	1
54	C.C. sealed-gasket	2
43	C.C. for shielded cable	3



Dimensions	Cable Clamp (C.C.)	Type
A		
51,50	C.C. unproof	1
65,20	C.C. sealed-gasket	2
55	C.C. for shielded cable	3

Female or male receptacle



Dimensions are in mm

Arrangements overview

Arrangements

Cable clamp type

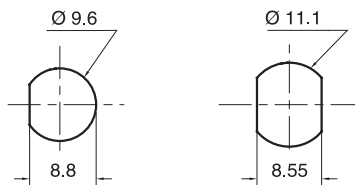
Reference	Male receptacle seen from cabling side	Current rating (A)				Current for all contacts (A)		Break down voltage (V)		Female receptacle seen from cabling side	Type			
		Contact Resistance in mΩ	Service	Peak	Service	Peak	Contact to contact	Contact to mass	1		2	3	Reference	
D J . 041 4 Contacts Ø 1		4	14	24	7	15	1200	1200		Ø4	Ø4	Ø4,3	1 2 3	
D J . 507 5 Contacts Ø 0,76		5	10	17	5	10	1250	1500		Ø6,5	Ø6,5	Ø4,30	4	
D K . 415 4 Contacts Ø 1,50		2,5	17	24	12	18	2000	2000		Ø5	Ø5	Ø7	1 2	
D K . 712 7 Contacts Ø 1,20		3,5	15	21	9	14	1400	1700		Ø8	Ø8	Ø10	3 4 5	

ex: C.C. sealed-gasket Ø4,30. Ref: 23

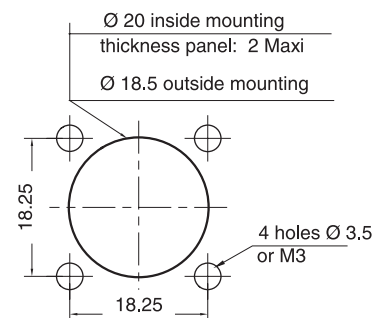
ex: C.C. unproof Ø10. Ref: 14

Preparation board details

DJD



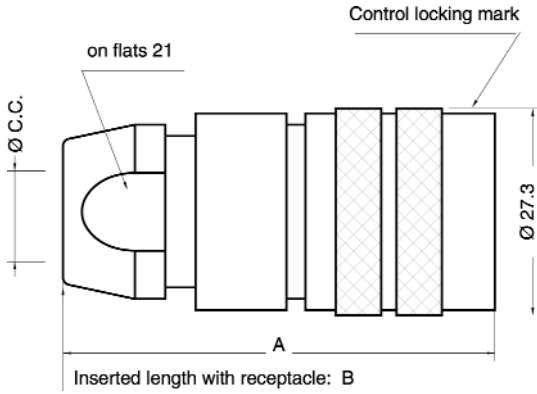
DK



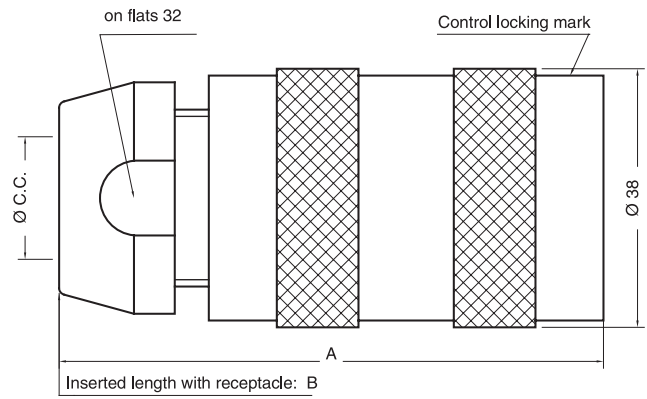
Dimensions

Female or male plug

DL



DM

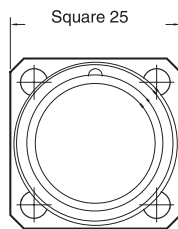
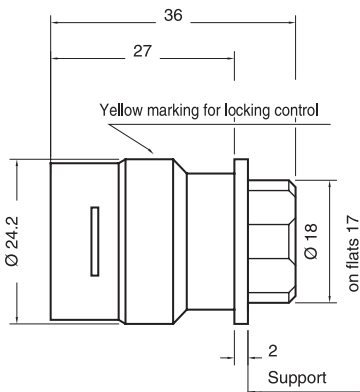


Dimensions	Cable Clamp (S.C.)	Type
A B		
57 65	C.C. unproof	1
68 76	C.C. sealed-gasket	2
57 65	C.C. for shielded cable	3

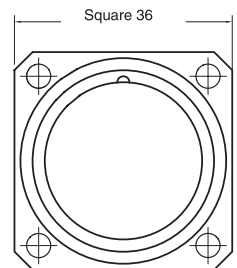
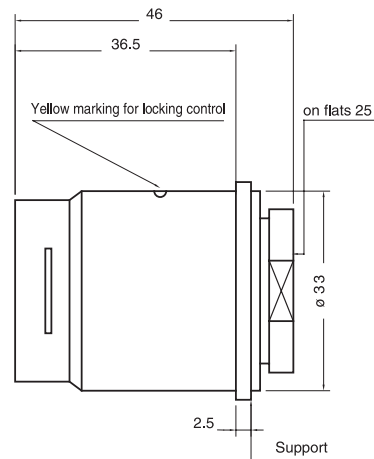
Dimensions	Cable Clamp (S.C.)	Type
A B		
80 90	C.C. unproof	1
104 114	C.C. sealed-gasket	2

Female or male receptacle

DL



DM



Female or male extension

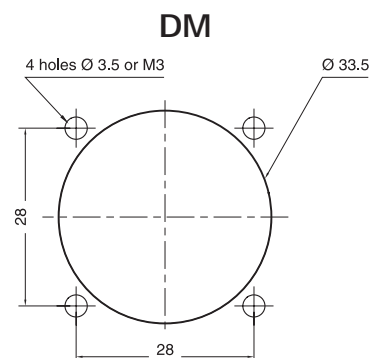
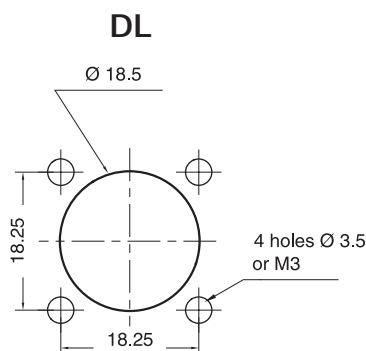
Consult us

Dimensions are in mm

Arrangements overview

Arrangements		Cable clamp type												
Reference	Male receptacle seen from cabling side	Current rating (A)				Current for all contacts (A)		Break down voltage (V)		Female receptacle seen from cabling side	Type			
		Contact Resistance in mΩ	Service	Peak	Service	Peak	Contact to contact	Contact to masse	1		2	3	Reference	
DL . 121 12 Contacts Ø 1,20		3,5	15	21	8	11	1750	1750		1	2	3	Reference	
	Ø8								Ø8	Ø8	1			
	Ø10								Ø10	Ø10	2			
	Ø12								Ø12		3			
	Ø14								Ø14		4			
ex: C.C. sealed-gasket Ø10. Ref: 12														
DM . 235 2 Contacts Ø 3,50		1,5	38	60	34	50	3000	3000		Type				
	1								2	3	Reference			
	Ø14								Ø14		1			
	Ø16								Ø16		2			
DM . 725 7 Contacts Ø 2,50		2	30	50	14	25	1600	2250		Type				
	1								2	3	Reference			
	Ø18								Ø18		3			
	Ø20								Ø20		4			
ex: C.C. unproof Ø20. Ref: 14														
DM . 161 16 Contacts Ø 1,50		2,50	19	29	9	14	2000	2200						
DM . 221 22 Contacts Ø 1,20		3,50	15	23	5	8	1500	2000						
DM . 906 4 Ø 1,50 +21Contacts Ø 0,60		2,50	9,5	22	7	15	2000	2200		Tools				
	Crimp tool for								DM . 906					
	Contact								Ø 0,6	Ø 1,5				
									M 22520 / 2.01	Astro Tools				
Locator		SS 006 00 00 028	SS 015 00 00 002											
Removal		-	TGV 201											
		SD 006 00 00 006	SD 015 00 00 005											

Preparation board details



Dimensions are in mm