



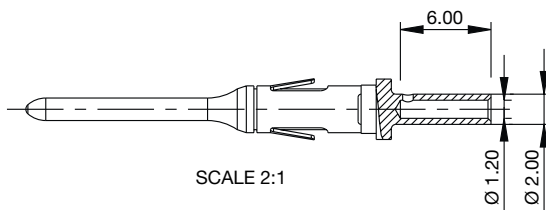
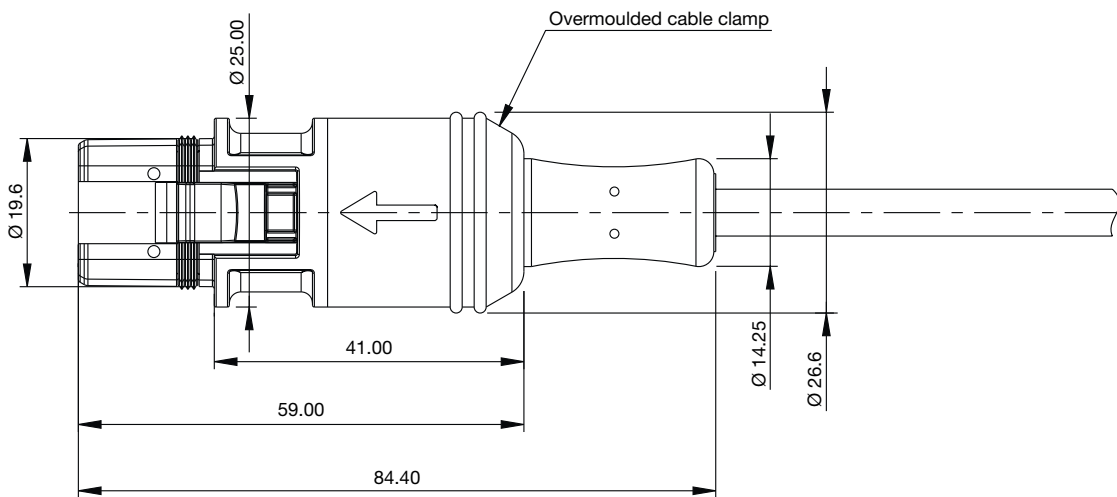
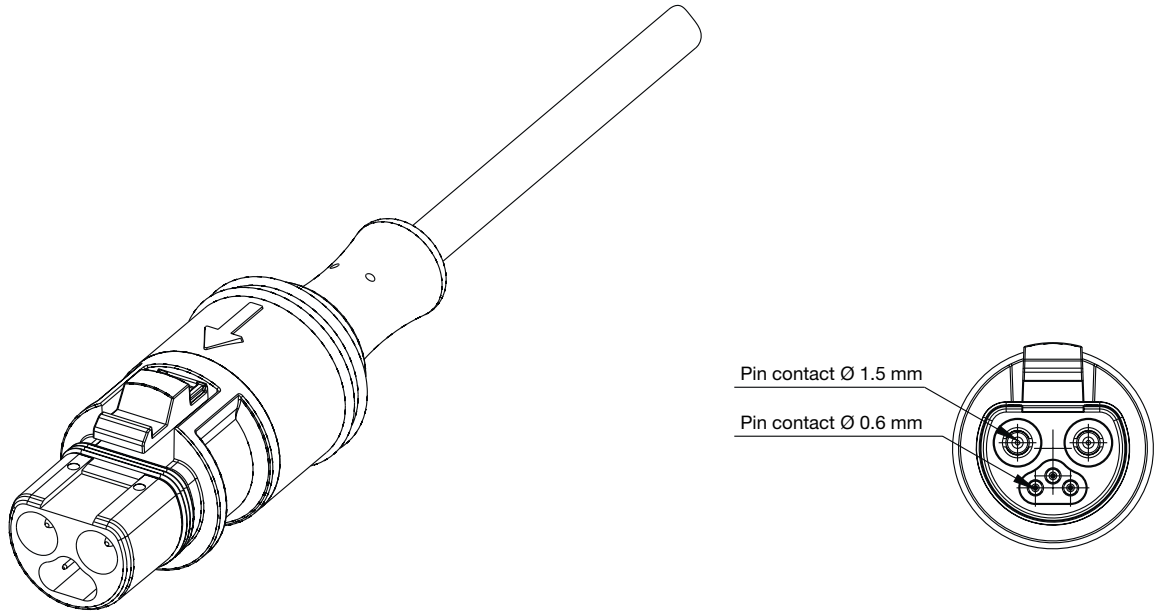
High Voltage Custom Connectors

- Special solutions for Medical applications.
- 2 high voltage pins rated for 2.5 kV and 40A for 20ms
- 3 signal pins
- IP55 water resistance
- More than 5000 mating cycles
- Finger proofing
- Exceptional electrical continuity

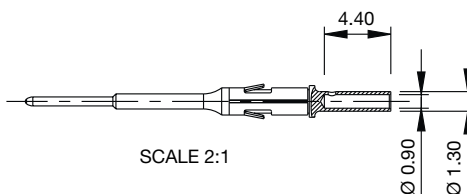
Technical Characteristics

Contact Number	105
Contact Diameter	1.5 mm high voltage; 0.6mm signal
Current Rating	40 A (20 ms)
Rated Voltage	2.5 kV
Finger Test (receptacle only)	>7.5 mm
Contact Resistance (low level)	<3 and <2 mOhm
Temperature Range	-40°C +125°C
Insulator	Polycarbonate
Overmoulding	Polyurethane
Sealing Gasket (interface and contacts)	Silicon
Contact Plating - Material - Plating	Brass Gold

Plug connector with pin contacts
(Ask factory for ordering code)



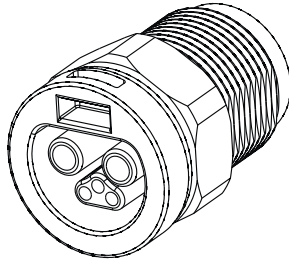
Pin contact Ø 1.5 mm
 Crimping tool: M22520/1-01
 Stripping length: 6.5 mm



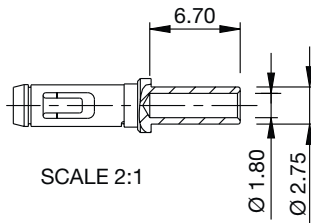
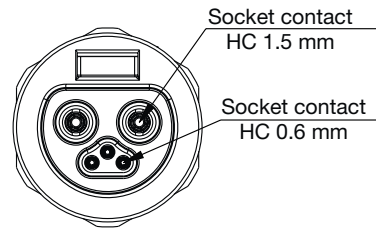
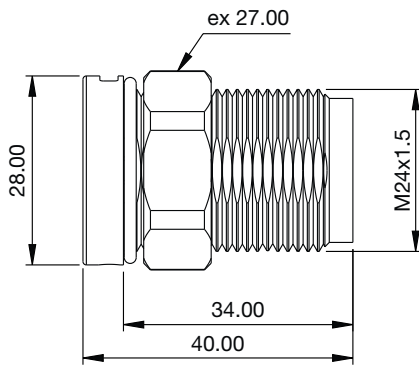
Pin contact Ø 0.6 mm
 Crimping tool: M22520/2-01
 Stripping length: 5.0 mm

Dimensions are in mm

Receptacle connector with socket contacts
(Ask factory for ordering code)

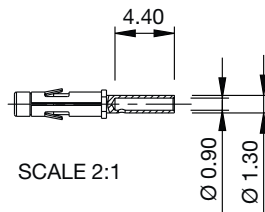


SCALE 1:1



SCALE 2:1

Socket contact HC 1.5 mm
 Crimping tool: M22520/1-01
 Stripping length: 7.2 mm
 Positioner: Daniels SH463
 Extraction tool: 22899



SCALE 2:1

Socket contact HC 0.6 mm
 Crimping tool: M22520/2-01
 Stripping length: 5.0 mm
 Positioner: Daniels K547
 Extraction tool: 22900