



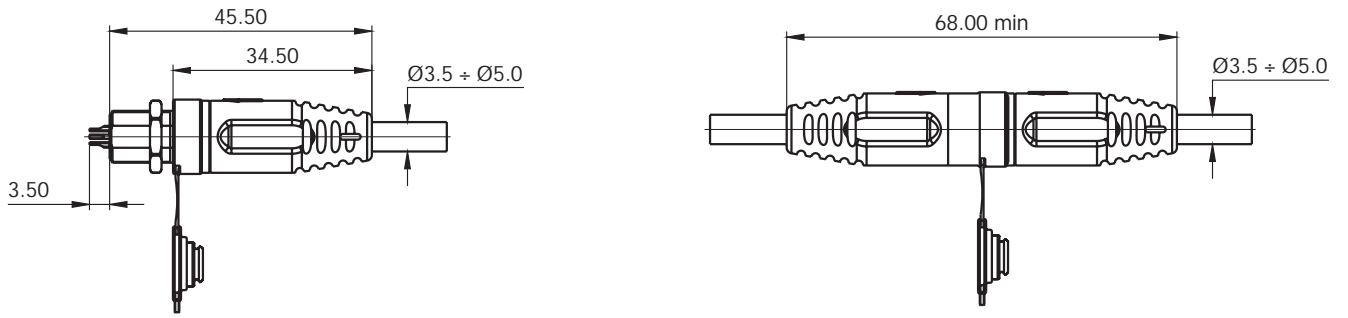
Quick Disconnect Signal Connector and Cable Assembly

- Ultraminiatur circular plastic quick disconnect signal connector, 6 or 8 contact layout, 2 keying positions.
- Gold plated 0.4 mm contacts, mated or unmated sealing to IPx4, integrated or overmoldable strain relief.
- Autoclave, ETO, Gamma and Cold Chemical sterilization, flammability rated to UL94V-0 on thermoplastic components.
- Cable plug and cable receptacle overmolding. Cable to cable and cable to panel configurations are available. Colour coded options available upon request.
- Aesthetic, easy breakaway latching design, fingerproof to UL544 and IEC60601.
- For Medical applications.

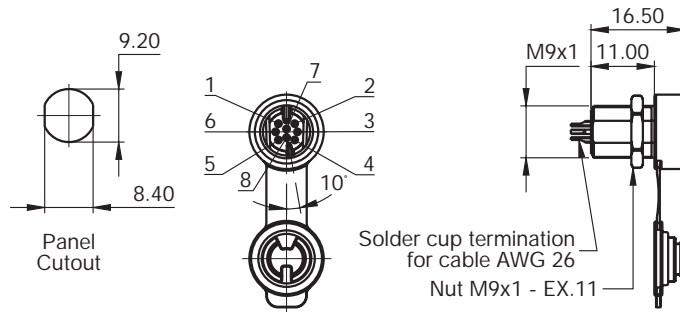
Technical Characteristics

Contact Number	6, 8
Contact Diameter	0.4 mm nominal pin DIA
Current Rating	1 Amp
Wire Gauge	AWG 26
Contact Resistance	<8 milliohms
Rated Impulse Withstanding Voltage	1.5 kV
Contact Life Cycle	Up to 100.000 mating and unmating cycles
Temperature Range	-40°C to 135°C
Insulation Resistance	> 10 ¹⁰ Ohm
Insulator	PPS 40% glass filled
Contact - Material - Plating	Brass Gold Plate

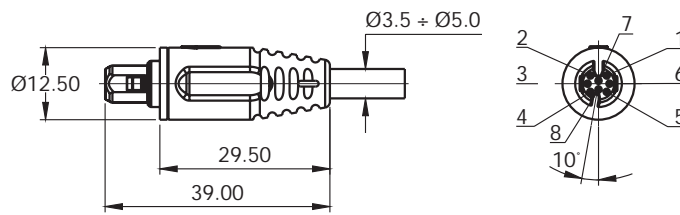
Assembly drawing



Receptacle dimensions



Plug dimensions



Cable receptacle dimensions

