

PZC Series



High Reliability Floating Ruggedised Connector

The PZC range is a floating ruggedised connector specifically designed for very severe environment applications where signal integrity is paramount such as civil avionics and military applications.

The float mounting design of the connector offers the following benefits:

- **Mating accuracy:** polarized guides ensure a correct integration in blind mate or restricted access applications,
- **Flexibility:** accepts misalignments up to 2mm,
- **User-friendly:** easy and simple connection/disconnection.

The PZC series is available in 20 and 41 ways. Its nickel plated shell makes the connector RoHS compliant. The design of the knurl and the use of the band clamping system allow the connector to be adapted to different shieldings and to any cable clamp.

Based on Hypertac's proven Hyperboloid contact technology, the PZC Series is designed to reduce wear rate generated from shock, vibration and fretting corrosion which are common causes of system failures and downtime.



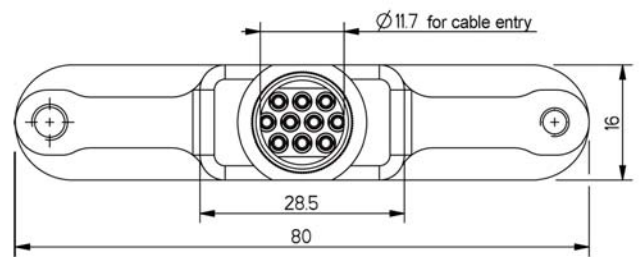
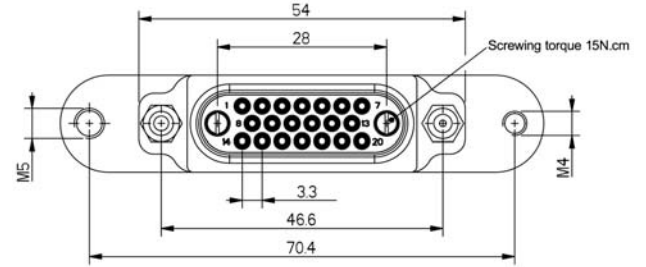
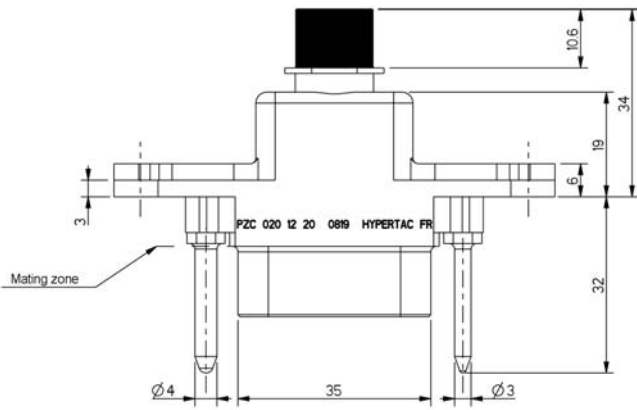
Other features:

- Low contact resistance: respect of signal integrity,
- Shock and vibration proof: 320g without any electrical disturbance,
- High contact safety from extraction: 1mm,
- 500 mating cycles minimum.

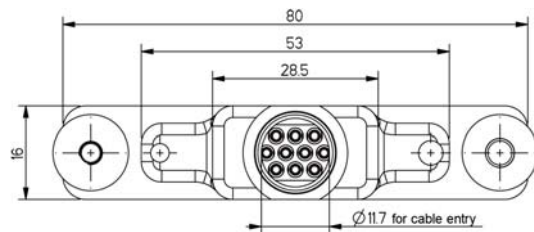
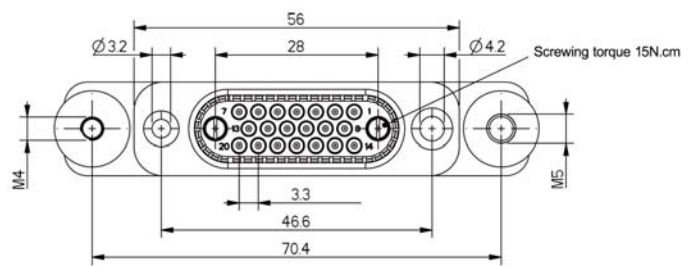
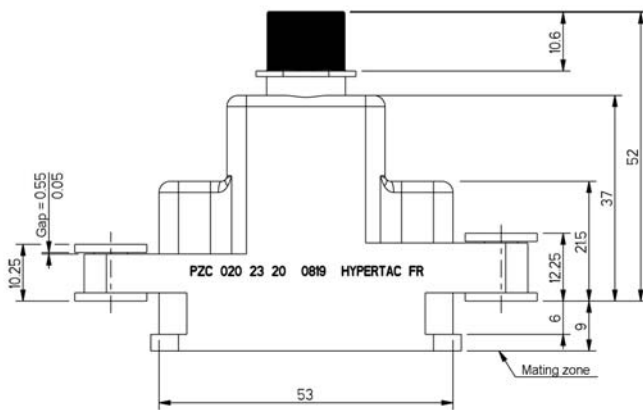


Dimensions

Plug - 20 contacts

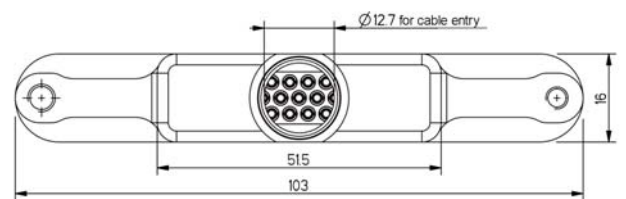
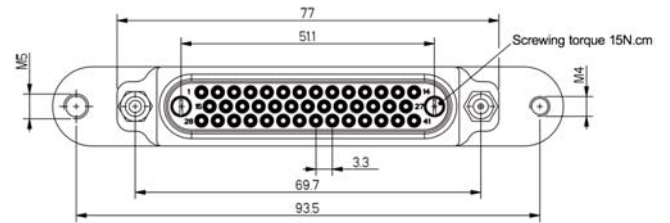
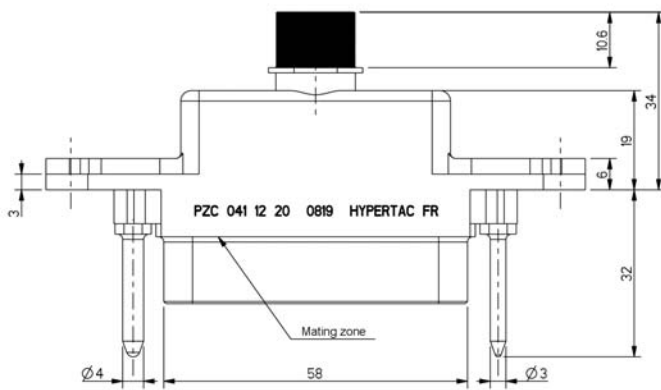


Receptacle - 20 contacts

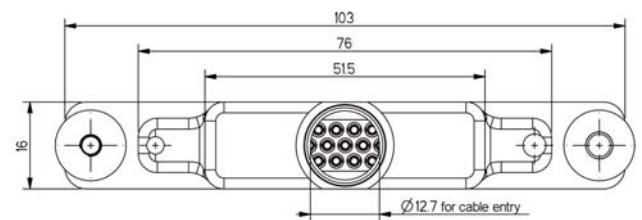
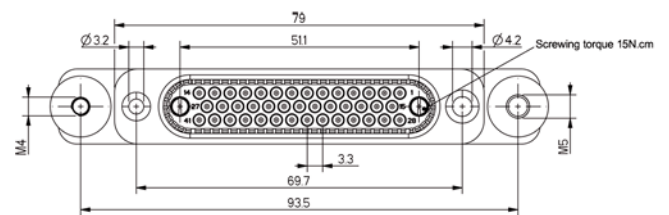
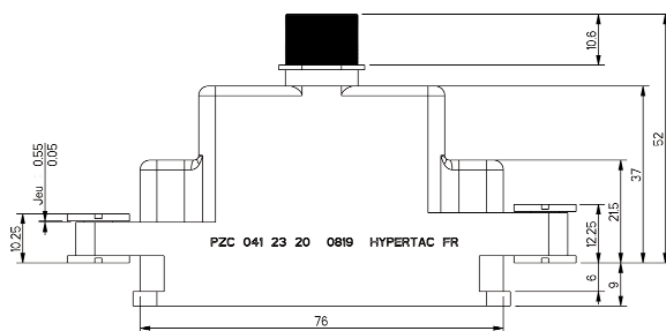


Dimensions

Plug - 41 contacts



Receptacle - 41 contacts



Technical Characteristics

MATERIALS & PLATING		ENVIRONMENTAL & MECHANICAL	
Contact	Copper Alloy, gold plated	Temperature range	-65°C, +125°C
Housing	Aluminium alloy - RoHS Compliant Nickel plated	Dry heat	1000h at 125°C RI>1000MΩ at temperature
Insulator	PEI	Humidity	90-98% - 10 cycles - RI>1000MΩ
Floating	Copper alloy, nickel plated	Salt spray	150h
Guides & Screw	Stainless steel	Fluid resistance	MIL STD 1344 method 1016
RFI band	CuBe	Mating cycles	>500
		Mating force	>0.2N - <3.3N
		Contact retention	>45N
ELECTRICAL		VIBRATION PERFORMANCE	
Current rating	7.5A	Sinusoidal vibrations	10-2000-10Hz-20g
Contact resistance	<8mΩ	Shocks	120g/2ms 320g/3ms
Shell conductivity	<5mΩ	Random vibrations	20-2000Hz 0.2g ² /Hz
Insulation resistance	>5000MΩ at sea level and 21000m - 30min later	Electrical discontinuity	<20ns
Testing voltage	1500V, 50-60Hz		

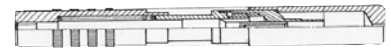
Tools



Crimping Tool
M22520/2-01



Positioner
SS-010 00 00 002 - Male contact insert
SS-010 00 00 004 - Female contact insert



Extractor
SD-010 00 00 001

Ordering Information

