

SPRING PROBES

For Board Test Applications



BOARD TEST SPRING PROBES

Smiths Connectors offers a wide range of spring contact probes to meet your testing requirements and has long been recognized as the world's largest probe manufacturer. With over 60 different probe series that includes our standard Board Test Fixture Probes as well as our Specialty Test Probes, we provide a full portfolio designed for general purpose test on bare boards, loaded printed circuit boards, surface mount assemblies and other forms of test.



MICRO SERIES PROBES

The Micro Probe Series range in pitch from 0.20" (0.51 mm) to 0.030" (0.76 mm) pitch and are typically between half an inch to an inch in length.

STANDARD PROBES

Our standard probes range in pitch from 0.039" (1.00 mm) to 0.187" (4.75 mm). Within most series, there are multiple length and travel options, including more aggressive probes dimensionally equivalent to the standard probes.

ICT PROBES

The ICT probe design features a bifurcated barrel with four separate fingers. The barrel is compliant and formed against the plunger, thus eliminating any gap between the plunger and barrel. ICT probes are more accurate and stable in resistance than standard designs.

LEAD FREE PROBES

The Lead Free Probe Series is based on our ICT Probe Series. The plunger material, plating and tip geometry have been optimized to provide less wear and contamination build-up while using a moderate spring force of 7 to 8 ounces.

ROTATOR PROBES

Ideal for non-clean and lead-free applications, this aggressive probe rotates 90° at the rated travel, virtually drilling through contaminants with a low spring force.

SWITCH PROBES

A Switch Probe is a spring contact probe and receptacle that has two individual current paths. One current path is closed, the other is open and after a designated travel the second current path closes.

DOUBLE-ENDED PROBES & RECEPTACLES

Double-ended probes feature both a top-side and bottom-side compliant plunger. Double-ended receptacles are available with a permanent bottom-side plunger and a replaceable probe on the top side. They are also available with both a top and bottom-side replaceable probe.

HIGH CURRENT PROBES

We offer two different high current probe designs in four different pitches. The SH Series features a bias ball, which is the most aggressive biasing technique to aid in assuring a low and consistent resistance, cycle after cycle. The SHE Series features a bias spring, an effective biasing technique for many applications.

THERMOCOUPLE PROBES

The Thermocouple Probe is an ungrounded, thermally conductive probe used for the measurement of variations in temperature. We offer two Thermocouple Probes: Type T for up to 220°F, and Type K for up to 350°F.

COAXIAL PROBES

Our Coax Probes provide a low noise, controlled impedance signal path with reliable, easy connect/disconnect options. Our designs include a spring-loaded signal probe and a spring-loaded shielding plunger for the ground.

TABLE OF CONTENTS

TEST PROBES 3

▶ Micro Series Probes:	
0.020 (0.51) Centers	3
0.030 (0.76) Centers	4
▶ Standard Probes:	
0.039 (1.00) Centers	5
0.050 (1.27) Centers	8
0.075 (1.91) Centers	13
0.100 (2.54) Centers	19
≥ 0.125 (3.18) Centers.....	25
▶ Double-Ended Probes	28
▶ Interface Probes & Pins.....	30
▶ High Current Probes	35
▶ Switch Probes	39
▶ Thermocouple Probes	42
▶ Coax Probes	43

RECEPTACLES 49

▶ Micro Series Receptacles:	
0.020 (0.51) Centers	49
0.030 (0.76) Centers	50
▶ Standard Receptacles:	
0.039 (1.00) Centers	51
0.050 (1.27) Centers	53
0.075 (1.91) Centers	57
0.100 (2.54) Centers	60
≥ 0.125 (3.18) Centers.....	66
▶ High Current Receptacles	69
▶ Switch Receptacles.....	73

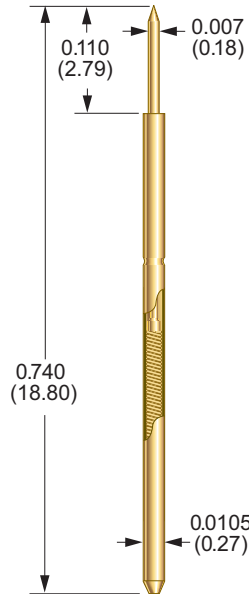
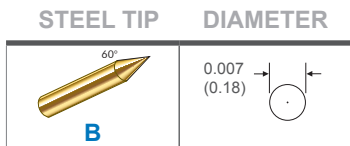
TEST PROBES

Dimensions & Specifications

► QUAD-00 SERIES

0.020 (0.51) Centers

For Quad-00 Series Receptacles see pg. 49



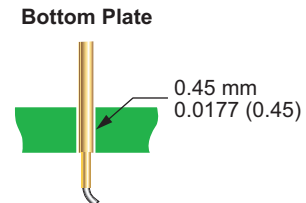
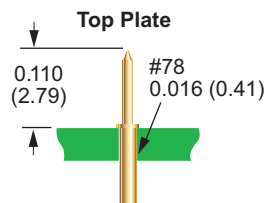
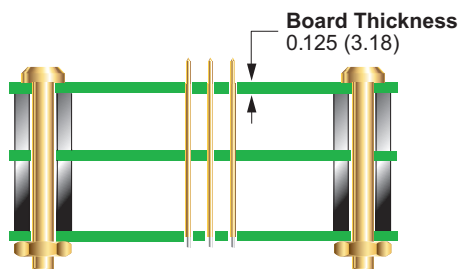
PROBE SPECIFICATIONS

Minimum Centers	0.020 (0.51)
Current Rating	0.30 A continuous
Spring Force	0.75 oz (21 g) @ 0.067 (1.70) travel
Preload Force	0.23 oz (6.5 g)
Typical Resistance	< 160 mΩ
Maximum Travel	0.100 (2.54)
Working Travel	0.067 (1.70)

MATERIALS

Barrel	Gold alloy
Spring	Music wire, gold plated
Plunger	Steel, gold plated over nickel

FIXTURING OPTIONS




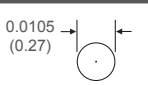

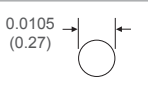

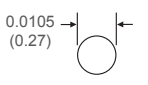
HOW TO ORDER

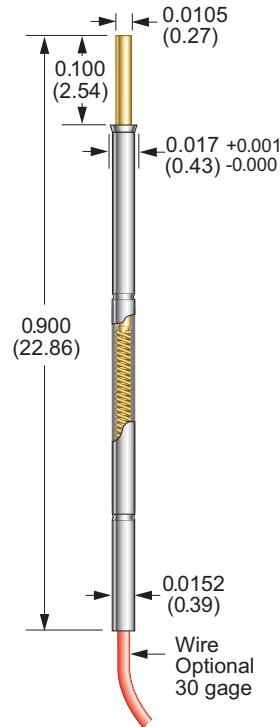
QUAD - 00 B	
1	2
1 ► SERIES	QUAD - 00
2 ► TIP STYLE	B

▶ QUAD-0 SERIES

0.020 (0.51) – 0.030 (0.76) Centers

For Quad-0 Series Receptacles see pg. 50

STEEL TIPS	DIAMETER
 B	0.0105 (0.27) 
 C	0.0105 (0.27) 
 J	0.0105 (0.27) 



PROBE SPECIFICATIONS

Minimum Centers	0.020 (0.51) <i>(without receptacle)</i> 0.030 (0.76) <i>(with receptacle)</i>
Current Rating	0.50 A continuous
Spring Force	0.70 oz (20 g) @ 0.045 (1.14) travel
Preload Force	0.40 oz (11 g)
Typical Resistance	< 60 mΩ
Maximum Travel	0.100 (2.54)
Working Travel	0.045 (1.14)

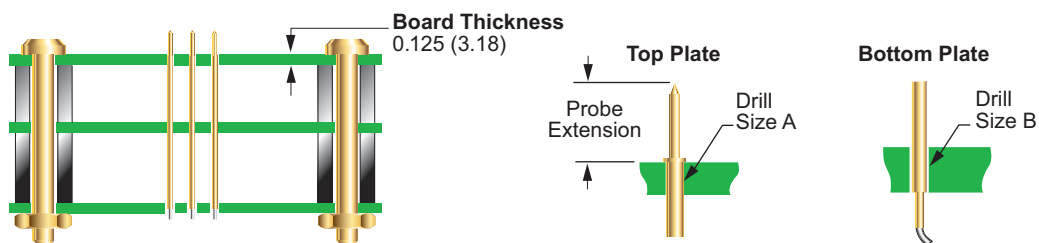
MATERIALS

Barrel	Nickel/silver, gold lined
Spring	Stainless steel, gold plated
Plunger	Steel, gold plated over nickel

FIXTURING

Probe Extension	Probe: 0.110 (2.79) Receptacle: 0.210 (5.33)
Drill Size A	Probe: #78 0.016 (0.41) Receptacle: #72 0.025 (0.64)
Drill Size B	Probe: 0.45 mm: 0.0177 (0.45) Receptacle: 0.70 mm: 0.0276 (0.70)

FIXTURING OPTIONS



HOW TO ORDER


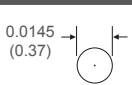

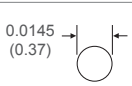
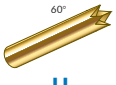
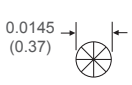

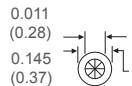
QUAD - 0 C - 36 - 1	
	1 2 3
1 ▶ SERIES	QUAD - 0
2 ▶ TIP STYLE	B, C, J
3 ▶ WIRE ⁽¹⁾	0 - 0 NO WIRE
	12 - 1 WIRE LENGTH 12 IN., 1 IN. STRIP LENGTH
	36 - 1 WIRE LENGTH 36 IN., 1 IN. STRIP LENGTH

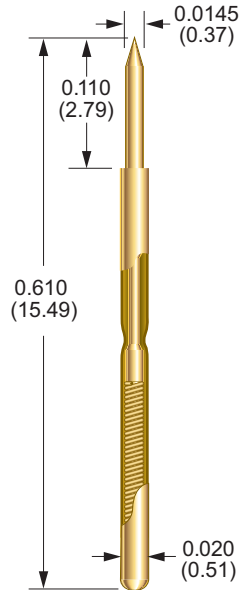
1. Unless otherwise specified, wire length 36", strip length 1", 30 gage magnet wire preattached, 12" and 36" standard
2. Probes with wires are not intended for use with receptacles
Dimensions are in inches (mm) | All specifications are subject to change

► **SS-30 SERIES**

0.039 (0.100) Centers

For RSS-30 Series Receptacles see pg. 51

BECU TIPS	DIAMETER
 B	 0.0145 (0.37)
 J	 0.0145 (0.37)
 U	 0.0145 (0.37)
 UT	 0.011 (0.28) 0.145 (0.37)



PROBE SPECIFICATIONS

Minimum Centers	0.039 (0.100)
Current Rating	3 A continuous
Spring Force	1.30 oz (37 g) or 1.60 oz (45 g) @ 0.067 (1.70) travel
Preload Force	0.50 oz (14 g)
Typical Resistance	< 40 mΩ
Maximum Travel	0.100 (2.54)
Working Travel	0.067 (1.70)

MATERIALS

Barrel	Nickel/silver, preplated gold
Spring	Stainless steel, or music wire, gold plated
Plunger	Beryllium copper, gold plated over nickel, or Duralloy™

HOW TO ORDER

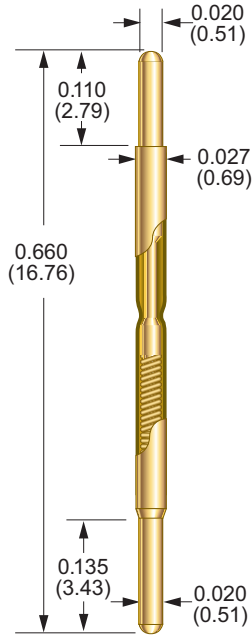
SS - 30 - B - 1.3 - G 1 2 3 4 5	
1 ▶ SERIES	SS
2 ▶ SIZE	30
3 ▶ TIP STYLE	B, J, U, UT
4 ▶ SPRING FORCE	1.3 oz. 1.6 oz.
5 ▶ PLUNGER PLATING	G GOLD D DURALLOY™

► S-00 SERIES

0.039 (0.100) Centers

For R-00 Series Receptacles see pg. 52

BECU TIPS	DIAMETER
B	0.020 (0.51)
C	0.020 (0.51)
G	0.020 (0.51)
J	0.020 (0.51)
U	0.020 (0.51)



PROBE SPECIFICATIONS

Minimum Centers	0.039 (1.00)
Current Rating	3 A continuous
Spring Force	1.30 oz (37 g) or 1.60 oz (45 g) @ 0.050 (1.27) travel
Preload Force	0.60 oz (17 g) (1.30 oz spring/BeCu) 0.70 oz (20 g) (1.60 oz spring/stainless steel)
Typical Resistance	< 55 mΩ
Maximum Travel	0.090 (2.29)
Working Travel	0.050 (1.27)

MATERIALS

Barrel	Nickel/silver, preplated gold
Spring	Beryllium copper, or stainless steel, gold plated
Plunger	Beryllium copper, gold plated over nickel, or Duralloy™

HOW TO ORDER

S - 00 - J - 1.3 - G



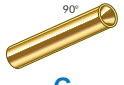

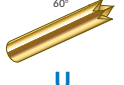
1 2 3 4 5

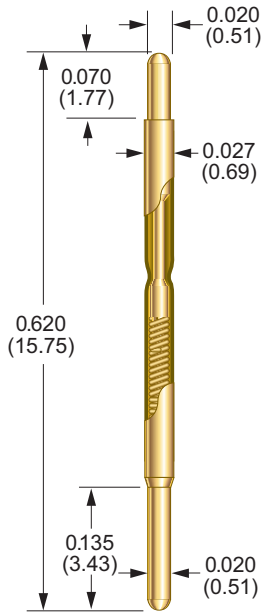
1 ► SERIES	S
2 ► SIZE	00
3 ► TIP STYLE	B, C, G, J, U
4 ► SPRING FORCE	1.3 oz. 1.6 oz.
5 ► PLUNGER PLATING	G GOLD D DURALLOY™

► **SS-40 SERIES**

0.039 (0.100) Centers

For R-00 Series Receptacles see pg. 52

BECU TIPS	DIAMETER
 B	0.020 (0.51)
 C	0.020 (0.51)
 G	0.020 (0.51)
 J	0.020 (0.51)
 U	0.020 (0.51)



PROBE SPECIFICATIONS

Minimum Centers	0.039 (0.100)
Current Rating	3 A continuous
Spring Force	1.80 oz (51 g) or 2.40 oz (68 g) @ 0.050 (1.27) travel
Preload Force	1.10 oz (31 g) (1.80 oz spring/BeCu) 1.50 oz (43 g) (2.40 oz spring/stainless steel)
Typical Resistance	< 55 mΩ
Maximum Travel	0.050 (1.27)
Working Travel	0.050 (1.27)

MATERIALS

Barrel	Nickel/silver, preplated gold
Spring	Beryllium copper, or stainless steel, gold plated
Plunger	Beryllium copper, gold plated over nickel, or Duralloy™

HOW TO ORDER

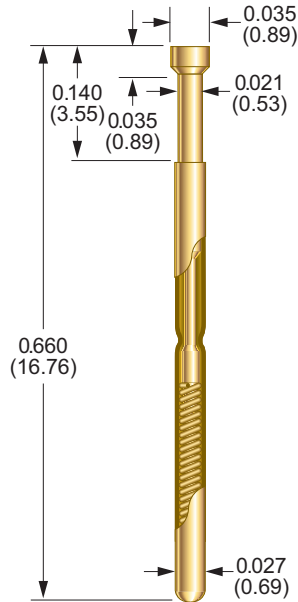
SS - 40 - J - 1.8 - G	
	1 2 3 4 5
1 ► SERIES	SS
2 ► SIZE	40
3 ► TIP STYLE	B, C, G, J, U
4 ► SPRING FORCE	1.8 oz. 2.4 oz.
5 ► PLUNGER PLATING	G GOLD D DURALLOY™

► S-0 SERIES

0.050 (1.27) Centers

For R-0 Series Receptacles see pg. 53

BECU TIPS	DIAMETER
A	0.035 (0.89)
B	0.021 (0.53)
B9	0.021 (0.53)
D	0.035 (0.89)
E	0.035 (0.89)
ES	0.046 (1.17)
H	0.035 (0.89)
J	0.021 (0.53)
JS	0.016 (0.41) 0.021 (0.53)
T4	0.035 (0.89)
U	0.021 (0.53)
UT	0.011 (0.28) 0.021 (0.53)
V	0.035 (0.89)



PROBE SPECIFICATIONS

Minimum Centers	0.050 (1.27)
Current Rating	3 A continuous
Spring Force	2.20 oz (62 g), 2.50 oz (71 g), or 3.70 oz (105 g) @ 0.070 (1.78) travel
Preload Force	0.60 oz (17 g) (2.20 oz spring/BeCu) 0.60 oz (17 g) (2.50 oz spring/stainless steel) 1.90 oz (54 g) (3.70 oz spring/music wire)
Typical Resistance	< 35 mΩ
Maximum Travel	0.100 (2.54)
Working Travel	0.070 (1.78)

MATERIALS

Barrel	Nickel/silver, gold plated
Spring	Beryllium copper, music wire, or stainless steel, gold plated
Plunger	Beryllium copper, gold plated over nickel, or Duralloy™

HOW TO ORDER

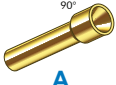
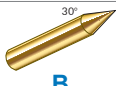
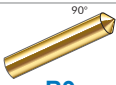

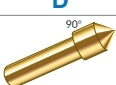
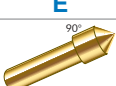


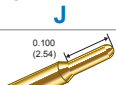
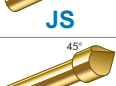
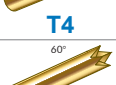


S - 0 - A - 2.2 - G
1 2 3 4 5

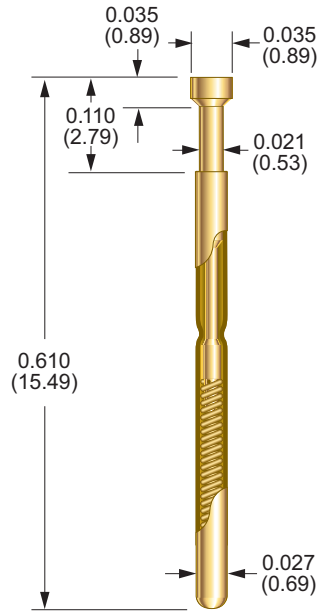
1 ► SERIES	S
2 ► SIZE	0
3 ► TIP STYLE	A, B, B9, D, E, ES, H, J, JS, T4, U, UT, V
4 ► SPRING FORCE	2.2 oz. 2.5 oz. 3.7 oz.
5 ► PLUNGER PLATING	G GOLD D DURALLOY™

► **SS-50 SERIES**

0.050 (1.27) Centers

For R-0 Series Receptacles see pg. 53

BECU TIPS	DIAMETER
 A	0.035 (0.89)
 B	0.021 (0.53)
 B9	0.021 (0.53)
 D	0.035 (0.89)
 E	0.035 (0.89)
 ES	0.046 (1.17)
 H	0.035 (0.89)
 J	0.021 (0.53)
 JS	0.016 (0.41) 0.021 (0.53)
 T4	0.035 (0.89)
 U	0.021 (0.53)
 UT	0.011 (0.28) 0.021 (0.53)
 V	0.035 (0.89)



PROBE SPECIFICATIONS

Minimum Centers	0.050 (1.27)
Current Rating	3 A continuous
Spring Force	2.90 oz (82 g), 3.30 oz (94 g), or 5.10 oz (145 g) @ 0.050 (1.27) travel
Preload Force	1.10 oz (31 g) (2.90 oz spring/BeCu) 1.70 oz (48 g) (3.30 oz spring/stainless steel) 1.50 oz (42 g) (5.10 oz spring/music wire)
Typical Resistance	< 35 mΩ
Maximum Travel	0.070 (1.78)
Working Travel	0.050 (1.27)

MATERIALS

Barrel Spring	Nickel/silver, gold plated Beryllium copper, stainless steel, or music wire, gold plated
Plunger	Beryllium copper, gold plated over nickel, or Duralloy™

HOW TO ORDER

	1	2	3	4	5
SS - 50 - A - 2.9 - G					
1 ► SERIES	SS	SSX ⁽¹⁾			
2 ► SIZE	50				
3 ► TIP STYLE	A, B, B9, D, E, ES, H, J, JS, T4, U, UT, V				
4 ► SPRING FORCE	2.9 oz.	3.3 oz.	5.1 oz.		
5 ► PLUNGER PLATING	G GOLD	D DURALLOY™			

► ICT-50C & S-50C SERIES

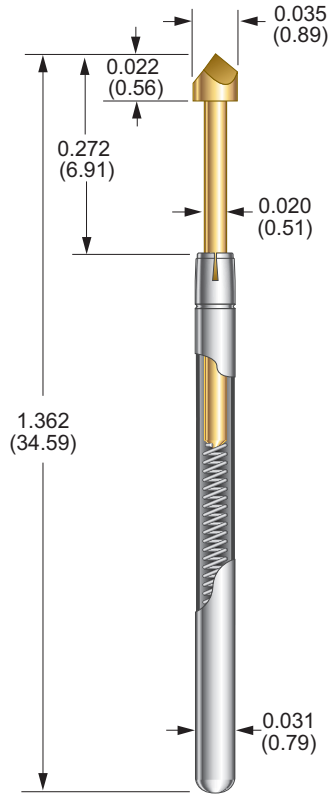
0.050 (1.27) Centers

For R-50C Series Receptacle see pg. 54

For R-50C-J-DE Wireless Series Receptacles see pg. 55

BECU TIPS	DIAMETER
A	0.035 (0.89)
J	0.020 (0.51)
V8	0.035 (0.89) 8 Pts.

STEEL TIPS	DIAMETER
B	0.020 (0.51)
HS	0.020 (0.51)
M	0.020 (0.51)
SP	0.020 (0.51)
SW	0.020 (0.51)
T	0.029 (0.74)
TL	0.035 (0.89)
Z	0.020 (0.51)



PROBE SPECIFICATIONS

Minimum Centers	0.050 (1.27)
Current Rating	3 A continuous
Spring Force	4.30 oz (122 g) or 5.60 oz (159 g) @ 0.170 (4.32) travel
Preload Force	1.90 oz (54 g) (4.30 oz spring/stainless steel) 2.10 oz (60 g) (5.60 oz spring/music wire)
Typical Resistance	ICT-50C: < 20 mΩ S-50C: < 25 mΩ
Maximum Travel	0.250 (6.35)
Working Travel	0.170 (4.32)

MATERIALS

Barrel	Nickel/silver, gold lined
Spring	Music wire, nickel plated, or stainless steel
Plunger	Beryllium copper, or steel, gold plated over nickel

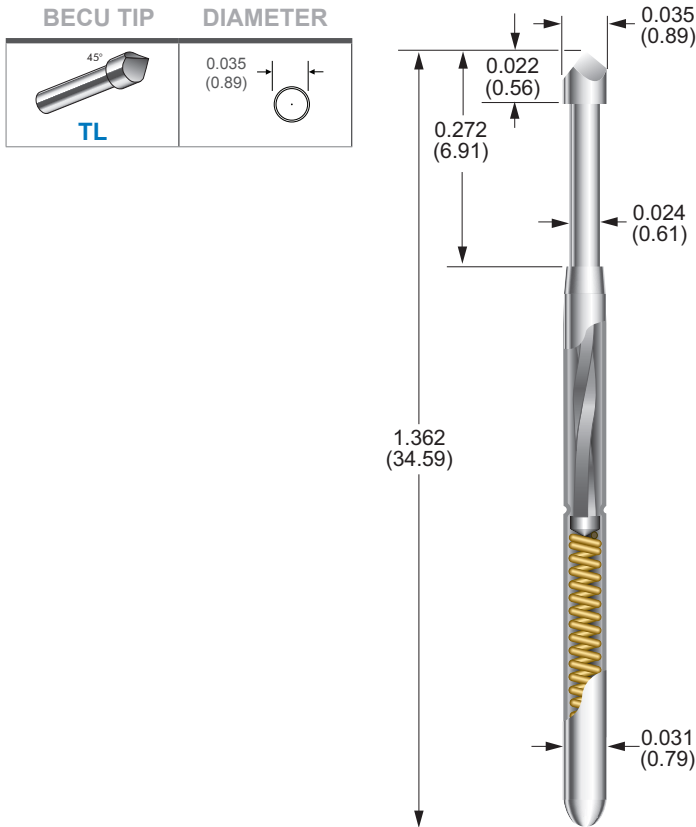
HOW TO ORDER

	ICT - 50C - T - 5.6 - DG - S
	1 2 3 4 5 6
1 ► SERIES	ICT ⁽¹⁾ S
2 ► SIZE	50C
3 ► TIP STYLE	A, B, HS, J, M, SP, SW, T, TL, V8, Z
4 ► SPRING FORCE	4.3 OZ. 5.6 OZ.
5 ► PLUNGER PLATING	DG DURAGOLD™
6 ► STEEL PLUNGER OPTION	S STEEL

► **S-50C ROTATOR SERIES**

0.050 (1.27) Centers

For R-50C Series Receptacles see pg. 54



PROBE SPECIFICATIONS

Minimum Centers	0.050 (1.27)
Current Rating	3 A continuous
Spring Force	3.70 oz (105 g) @ 0.170 (4.32) travel
Preload Force	1.50 oz (42 g)
Typical Resistance	< 25 mΩ
Maximum Travel	0.250 (6.35)
Working Travel	0.170 (4.32)
Rotation	85° @ 0.170 (4.32) travel

MATERIALS

Barrel	Nickel/silver, gold lined
Spring	Music wire, gold plated
Plunger	Beryllium copper, Duralloy™ plated

HOW TO ORDER

S - 50C - TL - 3.7 - RT <small>1 2 3 4 5</small>	
1 ▶ SERIES	S
2 ▶ SIZE	50C
3 ▶ TIP STYLE	TL
4 ▶ SPRING FORCE	3.7 oz.
5 ▶ ROTATOR	RT

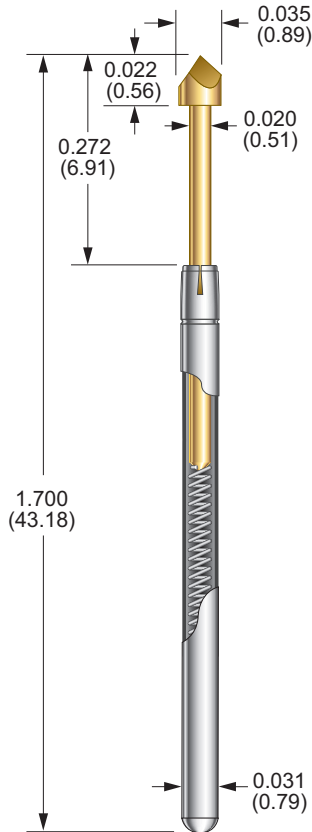
► ICT-50J SERIES

0.050 (1.27) Centers

For R-50J Series Receptacles see pg. 56

BECU TIPS	DIAMETER
A	0.035 (0.89)
J	0.020 (0.51)
V8	0.035 (0.89) 8 Pts.

STEEL TIPS	DIAMETER
B	0.020 (0.51)
HS	0.020 (0.51)
M	0.020 (0.51)
S	0.020 (0.51)
SP	0.020 (0.51)
SW	0.020 (0.51)
T	0.029 (0.74)
TL	0.035 (0.89)
UR	0.016 (0.41) 0.020 (0.51)
Z	0.020 (0.51)



PROBE SPECIFICATIONS

Minimum Centers	0.050 (1.27)
Current Rating	3 A continuous
Spring Force	4.00 oz (113 g), 5.60 oz (159 g), 7.00 oz (198 g), or 10.00 oz (283 g) @ 0.170 (4.32) travel
Preload Force	1.80 oz (51 g) (4.00 oz spring/stainless steel) 2.50 oz (71 g) (5.60 oz spring/stainless steel) 3.10 oz (88 g) (7.00 oz spring/music wire) 4.60 oz (130 g) (10.00 oz spring/music wire)
Typical Resistance	< 20 mΩ
Maximum Travel	0.250 (6.35)
Working Travel	0.170 (4.32)

MATERIALS

Barrel	Nickel/silver, gold lined
Spring	Music wire, nickel plated, or stainless steel
Plunger	Beryllium copper, or steel, gold plated over nickel

HOW TO ORDER

ICT - 50J - T - 5.6 - DG - S

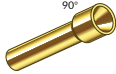
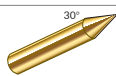


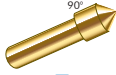





1 2 3 4 5 6

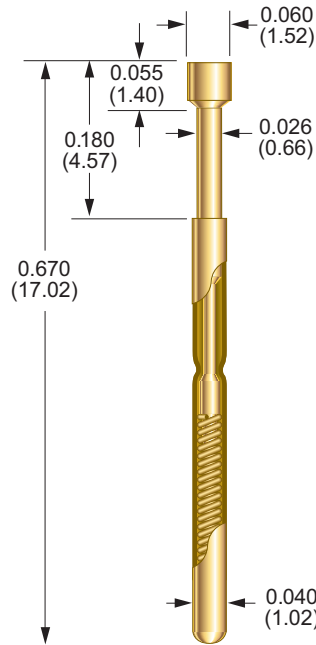
1 ► SERIES	ICT ⁽¹⁾
2 ► SIZE	50J
3 ► TIP STYLE	A, B, HS, J, M, S, SP, SW, T, TL, UR, V8, Z
4 ► SPRING FORCE	4 oz. 5.6 oz. 7 oz. 10 oz.
5 ► PLUNGER PLATING	DG DURAGOLD™
6 ► STEEL PLUNGER OPTION	S STEEL

► **S-1 SERIES**

0.075 (1.91) Centers

For R-1 Series Receptacles see pg. 57

BECU TIPS	DIAMETER
 A	0.060 (1.52)
 B	0.026 (0.66)
 C	0.026 (0.66)
 D	0.040 (1.02)
 E	0.060 (1.52)
 F	0.060 (1.52)
 H	0.060 (1.52)
 J	0.026 (0.66)
 K	0.060 (1.52)
 U	0.026 (0.66)



PROBE SPECIFICATIONS

Minimum Centers	0.075 (1.91)
Current Rating	3 A continuous
Spring Force	2.00 oz (57 g), 3.80 oz (108 g), or 6.60 oz (187 g) @ 0.070 (1.78) travel
Preload Force	0.80 oz (23 g) (2.00 oz spring/stainless steel) 1.50 oz (43 g) (3.80 oz spring/stainless steel) 2.00 oz (57 g) (6.60 oz spring/music wire)
Typical Resistance	< 25 mΩ
Maximum Travel	0.100 (2.54)
Working Travel	0.070 (1.78)

MATERIALS

Barrel	Nickel/silver, gold plated
Spring	Stainless steel, or music wire, gold plated
Plunger	Beryllium copper, gold plated over nickel, or Duralloy™

HOW TO ORDER

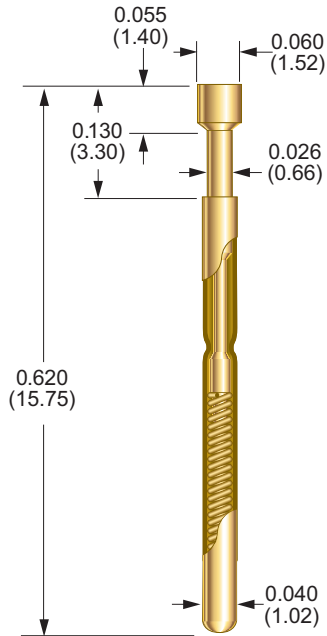
	S	1	A	3.8	G
	1	2	3	4	5
1 ► SERIES	S	SX ⁽¹⁾			
2 ► SIZE	1				
3 ► TIP STYLE	A, B, C, D, E, F, H, J, K, U				
4 ► SPRING FORCE	2 oz. 3.8 oz. 6.6 oz.				
5 ► PLUNGER PLATING	G GOLD D DURALLOY™				

► SS-75 SERIES

0.075 (1.91) Centers

For R-1 Series Receptacles see pg. 57

BECU TIPS	DIAMETER
A	0.060 (1.52)
B	0.026 (0.66)
C	0.026 (0.66)
D	0.040 (1.02)
E	0.060 (1.52)
F	0.060 (1.52)
H	0.060 (1.52)
J	0.026 (0.66)
K	0.060 (1.52)
U	0.026 (0.66)



PROBE SPECIFICATIONS

Minimum Centers	0.075 (1.91)
Current Rating	3 A continuous
Spring Force	2.40 oz (68 g) or 4.90 oz (139 g) @ 0.050 (1.27) travel
Preload Force	1.70 oz (48 g) (2.40 oz spring/stainless steel) 3.10 oz (88 g) (4.90 oz spring/stainless steel)
Typical Resistance	< 25 mΩ
Maximum Travel	0.050 (1.27)
Working Travel	0.050 (1.27)

MATERIALS

Barrel	Nickel/silver, gold plated
Spring	Stainless steel, gold plated
Plunger	Beryllium copper, gold plated over nickel or Duralloy™

HOW TO ORDER

SS - 75 - A - 2.4 - G
1 2 3 4 5

1 ► SERIES	SS	SSX ⁽¹⁾
2 ► SIZE	75	
3 ► TIP STYLE	A, B, C, D, E, F, H, J, K, U	
4 ► SPRING FORCE	2.4 oz.	4.9 oz.
5 ► PLUNGER PLATING	G GOLD	D DURALLOY™

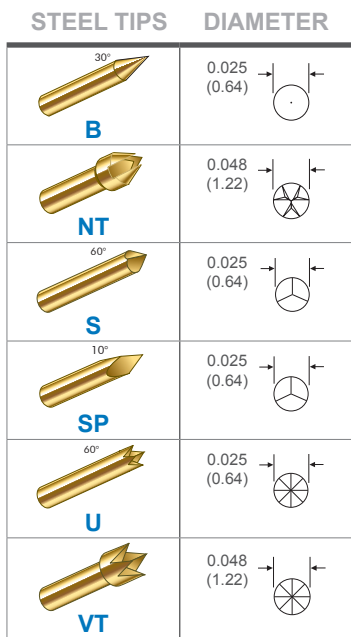
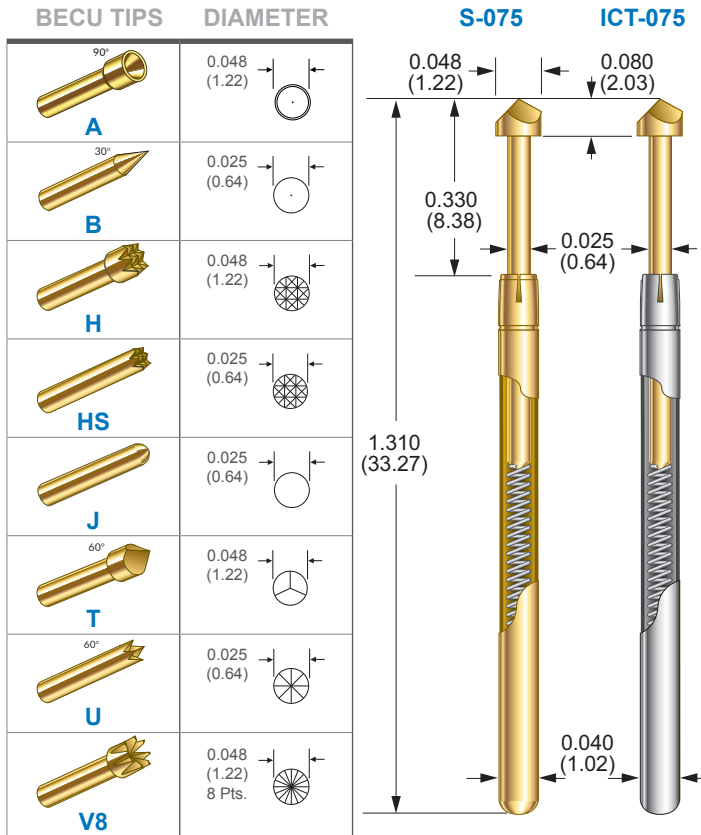
1. Improved pointing accuracy
Dimensions are in inches (mm) | All specifications are subject to change

► **ICT-075 & S-075 SERIES**

0.075 (1.91) Centers

For R-075 Series Receptacles see pg. 58

For R-075-J-DE Wireless Series Receptacles see pg. 59



PROBE SPECIFICATIONS

Minimum Centers	0.075 (1.91)
Current Rating	3 A continuous
Spring Force	3.00 ⁽¹⁾ oz (85 g), 5.00 oz (142 g), 7.00 oz (198 g), or 10.00 oz (283 g) @ 0.170 (4.32) travel
Preload Force	1.20 oz (34 g) (3.00 ⁽¹⁾ oz spring) 2.00 oz (57 g) (5.00 oz spring) 2.90 oz (82 g) (7.00 oz spring) 3.30 oz (94 g) (10.00 oz spring)
Typical Resistance	< 25 mΩ
Maximum Travel	0.250 (6.35)
Working Travel	0.170 (4.32)

MATERIALS

Barrel	ICT Series: Gold lined S Series: Gold plated I.D. and O.D.
Spring	Music wire, nickel plated
Plunger	Beryllium copper, or steel, gold plated over nickel

HOW TO ORDER

	1	2	3	4	5	6
1 ▶ SERIES	ICT ⁽²⁾		S			
2 ▶ SIZE	075					
3 ▶ TIP STYLE	A, B, H, HS, J, NT, S, SP, T, U, V8, VT					
4 ▶ SPRING FORCE	3 oz. ⁽¹⁾		5 oz.			
	7 oz.		10 oz.			
5 ▶ PLUNGER PLATING	G GOLD					
6 ▶ STEEL PLUNGER OPTION	S STEEL					

1. 3.00 oz spring for S-075 Series only

2. High performance

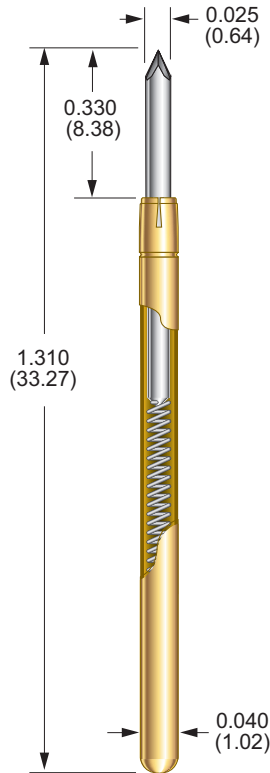
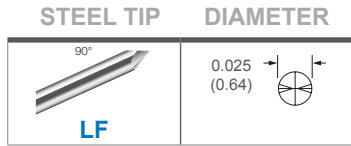
Dimensions are in inches (mm) | All specifications are subject to change

▶ LEAD FREE ICT-075 SERIES

0.075 (1.91) Centers

For R-075 Series Receptacles see pg. 58

For R-075-J-DE Wireless Series Receptacles see pg. 59



PROBE SPECIFICATIONS

Minimum Centers	0.075 (1.91)
Current Rating	3 A continuous
Spring Force	7.00 oz (198 g) @ 0.170 (4.32) travel
Typical Resistance	< 40 mΩ (against lead free surface)
Maximum Travel	0.250 (6.35)
Working Travel	0.170 (4.32)

MATERIALS

Barrel	G2
Spring	Music wire, nickel plated
Plunger	Steel, Duralloy™ plated

HOW TO ORDER

ICT - 075 - LF - 7 - D - S

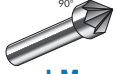
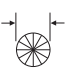
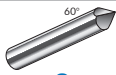
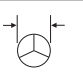
1 2 3 4 5 6

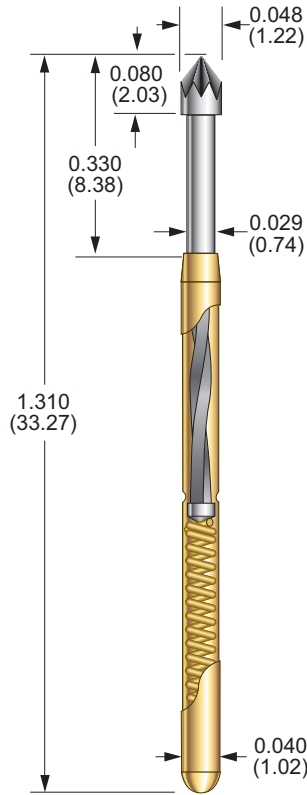
1 ▶ SERIES	ICT
2 ▶ SIZE	075
3 ▶ TIP STYLE	LF
4 ▶ SPRING FORCE	7 oz.
5 ▶ PLUNGER PLATING	D DURALLOY™
6 ▶ STEEL PLUNGER OPTION	S STEEL

► **S-075 ROTATOR SERIES**

0.075 (1.91) Centers

For R-075 Series Receptacles see pg. 58

BECU TIPS	DIAMETER
 LM	 0.048 (1.22)
 S	 0.029 (0.74)



PROBE SPECIFICATIONS

Minimum Centers	0.075 (1.91)
Current Rating	3 A continuous
Spring Force	3.80 oz (108 g) or 6.60 oz (187 g) @ 0.170 (4.32) travel
Preload Force	0.50 oz (14 g) (3.80 oz spring) 1.60 oz (45 g) (6.60 oz spring)
Typical Resistance	< 25 mΩ
Maximum Travel	0.225 (5.72)
Working Travel	0.170 (4.32)
Rotation	90° @ 0.170 (4.32) travel

MATERIALS

Barrel	G2
Spring	Music wire, gold plated
Plunger	Beryllium copper, Duralloy™ plated

HOW TO ORDER


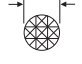


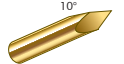

S - 075 - LM - 3.8 - RT	
	1 2 3 4 5
1 ▶ SERIES	S
2 ▶ SIZE	075
3 ▶ TIP STYLE	LM, S
4 ▶ SPRING FORCE	3.8 oz. 6.6 oz.
5 ▶ ROTATOR	RT

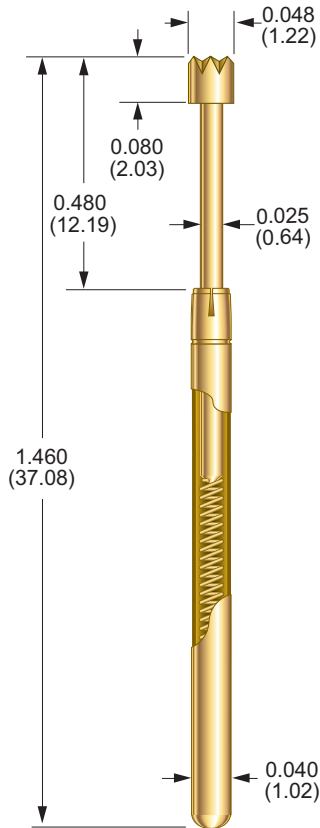
► ICT-L075 SERIES

0.075 (1.91) Centers

For R-075 Series Receptacles see pg. 58

For R-075-J-DE Wireless Series Receptacles see pg. 59

BECU TIPS	DIAMETER
 H	0.048 (1.22) 
 J	0.025 (0.64) 
STEEL TIP	DIAMETER
 SP	0.025 (0.64) 



PROBE SPECIFICATIONS

Minimum Centers	0.075 (1.91)
Current Rating	3 A continuous
Spring Force	4.30 oz (122 g) @ 0.317 (8.05) travel
Preload Force	1.80 oz (51 g)
Typical Resistance	< 15 mΩ
Maximum Travel	0.400 (10.16)
Working Travel	0.317 (8.05)

MATERIALS

Barrel	G2
Spring	Music wire, gold plated
Plunger	Beryllium copper, or steel, gold plated over nickel




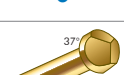
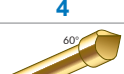

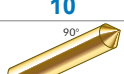


HOW TO ORDER

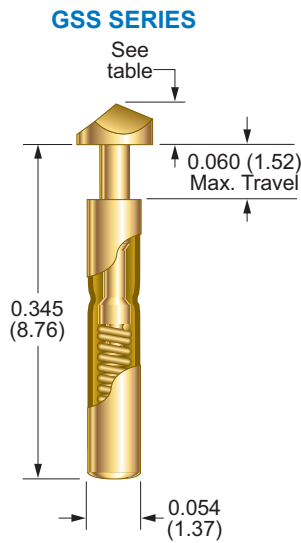
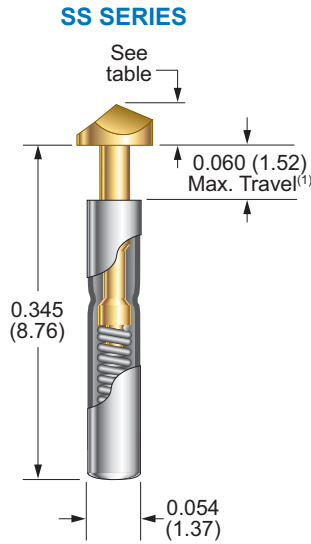
	1	2	3	4	5	6
ICT - L075 - H - 4.3 - G - S						
1 ► SERIES	ICT					
2 ► SIZE	L075					
3 ► TIP STYLE	H, J, SP					
4 ► SPRING FORCE	4.3 oz.					
5 ► PLUNGER PLATING	G GOLD					
6 ► STEEL PLUNGER OPTION	S STEEL					

► **SS & GSS SERIES**

0.100 (2.54) Centers

For RSS-100 Series Receptacles see pg. 60. For R-100/SS Series Receptacles see pg. 61.
For R-SS/SS Series Receptacles see pg. 62.

BEUC TIPS	DIAMETER
 1	0.077 (1.96)
 2	0.077 (1.96)
 3	0.077 (1.96) 0.075 Radius
 4	0.062 (1.57)
 8	0.075 (1.91)
 10	0.045 (1.14)
 11	0.045 (1.14)
 18	0.075 (1.91)
 19	0.045 (1.14)



PROBE SPECIFICATIONS

Minimum Centers	0.100 (2.54)
Current Rating	3 A continuous
Spring Force	3.80 oz (108 g) or 7.00 oz (198 g) @ 0.050 (1.27) travel
Preload Force	1.60 oz (45 g) (3.80 oz spring/stainless steel) 1.30 oz (37 g) (7.00 oz spring/music wire)
Typical Resistance	SS Series: < 65 mΩ GSS Series: < 30 mΩ
Maximum Travel	0.060 (1.52) ⁽¹⁾
Working Travel	0.050 (1.27)

MATERIALS

Barrel	SS Series: Nickel/silver GSS Series: Nickel/silver, gold plated
Spring	SS Series: Stainless steel or music wire GSS Series: Stainless steel, or music wire, gold plated
Plunger	Beryllium copper, gold plated over nickel

TIP	HEAD LENGTH	TIP	HEAD LENGTH
1	0.040 (1.02)	10	0.028 (0.71)
2	0.028 (0.71)	11	0.040 (1.02)
3	0.028 (0.71)	18	0.060 (1.52)
4	0.040 (1.02)	19	0.055 (1.40)
8	0.080 (2.03)		

HOW TO ORDER

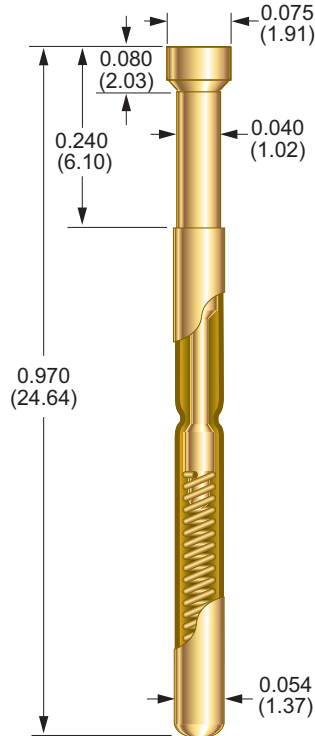
SS - 1 - 3.8 - G			
1 2 3 4			
1 ► SERIES	SS		GSS
2 ► TIP STYLE	1 2 3 4 8 10 11 18 19		
3 ► SPRING FORCE	3.8 oz.		7 oz.
4 ► PLUNGER PLATING	G GOLD		

► S-2 SERIES

0.100 (2.54) Centers

For R-2 Series Receptacles see pg. 63

BECU TIPS	DIAMETER
A	0.075 (1.91)
B	0.040 (1.02)
C	0.040 (1.02)
D	0.050 (1.27)
E	0.075 (1.91)
F	0.075 (1.91)
G	0.040 (1.02)
H	0.075 (1.91)
J	0.040 (1.02)
K	0.075 (1.91)
T	0.075 (1.91)
V	0.060 (1.52)
X	0.060 (1.52)



PROBE SPECIFICATIONS

Minimum Centers	0.100 (2.54)
Current Rating	3 A continuous
Spring Force	4.00 oz (113 g), 7.00 oz (198 g), 8.30 oz (235 g), or 10.00 oz (283 g) @ 0.100 (2.54) travel
Preload Force	1.60 oz (45 g) (4.00 oz spring/BeCu) 2.90 oz (82 g) (7.00 oz spring/stainless steel) 3.30 oz (93 g) (8.30 oz spring/music wire) 3.90 oz (110 g) (10.00 oz spring/music wire)
Typical Resistance	< 35 mΩ
Maximum Travel	0.160 (4.06)
Working Travel	0.100 (2.54)

MATERIALS

Barrel	Nickel/silver, gold plated
Spring	Beryllium copper, precious metal plated, music wire, or stainless steel, gold plated
Plunger	Beryllium copper, gold plated over nickel, or Duralloy™

HOW TO ORDER

	S - 2 - A - 4 - G				
	1	2	3	4	5
1 ► SERIES	S				
2 ► SIZE	2				
3 ► TIP STYLE	A, B, C, D, E, F, G, H, J, K, T, V, X				
4 ► SPRING FORCE	4 oz.		7 oz.		
	8.3 oz.		10 oz.		
5 ► PLUNGER PLATING	G GOLD		D DURALLOY™		

► **ICT-100 & S-100 SERIES**

0.100 (2.54) Centers

For R-100/SS Series Receptacles see pg. 61. For R-100 Series Receptacles see pg. 64. For R-100-J-DE Wireless Series Receptacles see pg. 65

BECU TIPS		DIAMETER	
	0.060 (1.52)		0.036 (0.91)
	0.050 (1.27)		0.036 (0.91)
	0.060 (1.52)		0.055 (1.40)
	0.060 (1.52)		0.036 (0.91)
	0.075 (1.91)		0.036 (0.91)
	0.093 (2.36)		0.036 (0.91)
	0.068 (1.73) 0.075 (1.91) 0.090 insulator dia.		0.020 (0.51) 0.036 (0.91)
	0.036 (0.91)		0.050 (1.27)
	0.025 (0.64) 0.036 (0.91)		0.055 (1.40)
	0.060 (1.52)		
	0.060 (1.52)		
	0.060 (1.52)		
	0.060 (1.52) 8 Pts.		
	0.050 (1.27)		

STEEL TIPS		DIAMETER	
	0.036 (0.91)		0.036 (0.91)
	0.036 (0.91)		0.055 (1.40)
	0.055 (1.40)		0.036 (0.91)
	0.036 (0.91)		0.036 (0.91)
	0.036 (0.91)		0.036 (0.91)
	0.036 (0.91)		0.020 (0.51) 0.036 (0.91)
	0.020 (0.51) 0.036 (0.91)		0.050 (1.27)
	0.050 (1.27)		0.055 (1.40)
	0.055 (1.40)		

PROBE SPECIFICATIONS

Minimum Centers	0.100 (2.54)
Current Rating	3 A continuous
Spring Force	3.50 oz (99 g) ⁽¹⁾ , 5.50 oz (156 g), 6.70 oz (190 g), 8.00 oz (227 g), 10.00 oz (283 g), or 17.00 oz (483 g) @ 0.170 (4.32) travel
Preload Force	1.50 oz (43 g) (3.50 ⁽¹⁾ oz spring/BeCu) 2.40 oz (68 g) (5.50 oz spring/music wire ⁽²⁾) 2.80 oz (80 g) (6.70 oz spring/stainless steel) 3.30 oz (94 g) (8.00 oz spring/music wire ⁽²⁾) 3.70 oz (105 g) (10.00 oz spring/music wire) 6.80 oz (193 g) (17.00 oz spring/music wire)
Typical Resistance	< 8 mΩ
Maximum Travel	0.250 (6.35)
Working Travel	0.170 (4.32)

MATERIALS

Barrel	ICT Series: Gold lined S Series: Gold plated I.D. and O.D.
Spring	Beryllium copper or music wire, nickel plated, or stainless steel
Plunger	Beryllium copper, or steel, gold plated over nickel

HOW TO ORDER

	ICT - 100 - T - 5.5 - G - S					
	1	2	3	4	5	6
1 ► SERIES	ICT ⁽³⁾		S			
2 ► SIZE	100					
3 ► TIP STYLE	A, B, D, F, H, HK, HL, HSC, J, JS, K, M, NT, SP, SWS, T, U, UR, V, V8, W, WO, Y					
4 ► SPRING FORCE	3.5 oz. ⁽¹⁾		5.5 oz.		6.7 oz.	
	8 oz.		10 oz.		17 oz.	
5 ► PLUNGER PLATING	G GOLD					
6 ► STEEL PLUNGER	S STEEL					

1. 3.50 oz. spring for S-100 Series only
2. BeCu instead of music wire for S Series
3. High performance

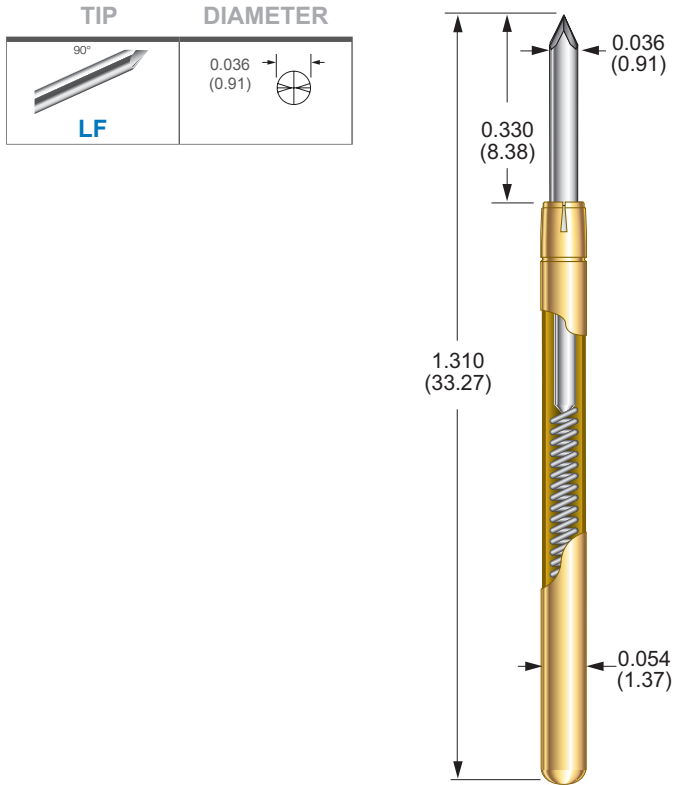
Dimensions are in inches (mm) | All specifications are subject to change

▶ LEAD FREE ICT-100 SERIES

0.100 (2.54) Centers

For R-100 Series Receptacles see pg. 64

For R-100-J-DE Wireless Series Receptacles see pg. 65



PROBE SPECIFICATIONS

Minimum Centers	0.100 (2.54)
Current Rating	3 A continuous
Spring Force	8.00 oz (227 g) @ 0.170 (4.32) travel
Typical Resistance	< 30 mΩ (against lead free surface)
Maximum Travel	0.250 (6.35)
Working Travel	0.170 (4.32)

MATERIALS

Barrel	G2
Spring	Music wire, nickel plated
Plunger	Steel, Duralloy™ plated

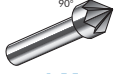
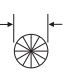
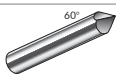
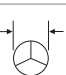
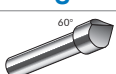
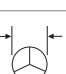
HOW TO ORDER

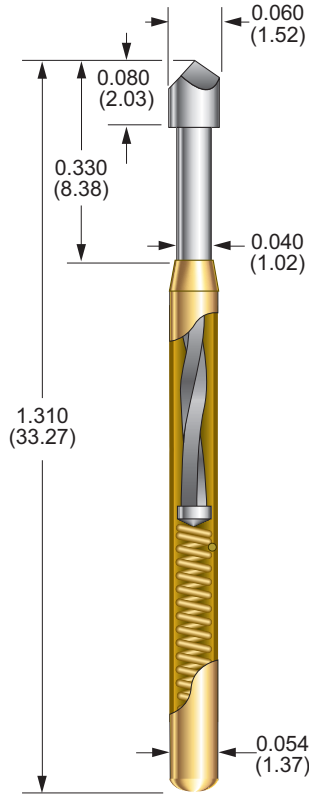
ICT - 100 - LF - 8 - D - S					
1	2	3	4	5	6
1 ▶ SERIES	ICT				
2 ▶ SIZE	100				
3 ▶ TIP STYLE	LF				
4 ▶ SPRING FORCE	8 oz.				
5 ▶ PLUNGER PLATING	D DURALLOY™				
6 ▶ STEEL PLUNGER OPTION	S STEEL				

► **S-100 ROTATOR SERIES**

0.100 (2.54) Centers

For R-100 Series Receptacles see pg. 64

BECU TIPS	DIAMETER
 LM	 0.060 (1.52)
 S	 0.040 (1.02)
 T	 0.060 (1.52)



PROBE SPECIFICATIONS

Minimum Centers	0.100 (2.54)
Current Rating	3 A continuous
Spring Force	4.00 oz (113 g), 5.50 oz (156 g), 6.70 oz (190 g), 8.00 oz (227 g), or 10.00 oz (283 g) @ 0.170 (4.32) travel
Preload Force	1.50 oz (43 g) (4.00 oz spring/stainless steel) 2.00 oz (57 g) (5.50 oz spring/stainless steel) 1.50 oz (43 g) (6.70 oz spring/stainless steel) 2.80 oz (80 g) (8.00 oz spring/music wire) 1.80 oz (51 g) (10.00 oz spring/music wire)
Typical Resistance	< 50 mΩ
Maximum Travel	0.220 (5.59)
Working Travel	0.170 (4.32)
Rotation	90° @ 0.170 (4.32) travel

MATERIALS

Barrel	G2
Spring	Music wire, or stainless steel, gold plated
Plunger	Beryllium copper, Duralloy™ plated

HOW TO ORDER

S - 100 - T - 4 - RT
 1 2 3 4 5

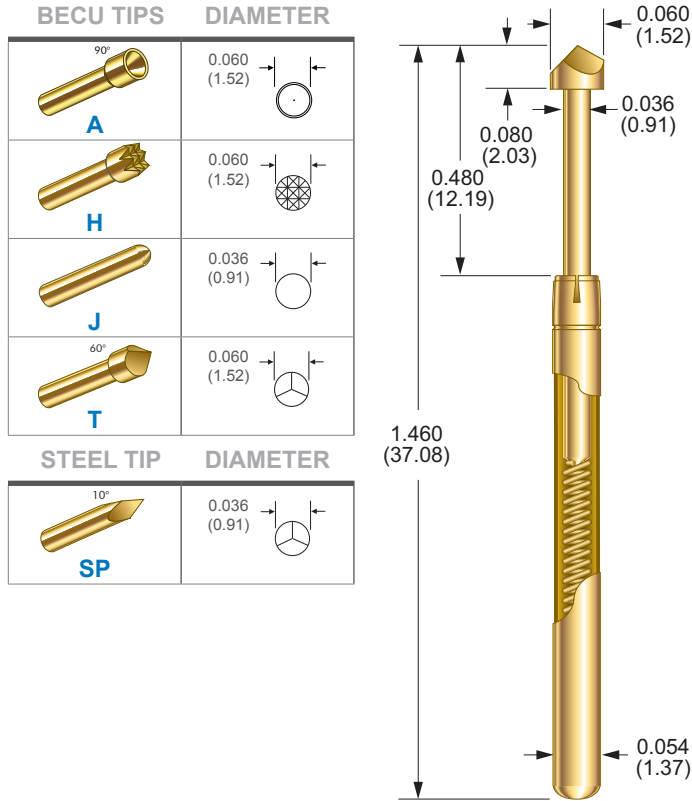
1 ► SERIES	S
2 ► SIZE	100
3 ► TIP STYLE	LM, S, T
4 ► SPRING FORCE	4 oz. 5.5 oz. 6.7 oz. 8 oz. 10 oz.
5 ► ROTATOR	RT

► ICT-L100 SERIES

0.100 (2.54) Centers

For R-100/SS Series Receptacles see pg. 61

For R-100 Series Receptacles see pg. 64



PROBE SPECIFICATIONS

Minimum Centers	0.100 (2.54)
Current Rating	3 A continuous
Spring Force	5.70 oz (162 g) @ 0.317 (8.05) travel
Preload Force	1.80 oz (51 g)
Typical Resistance	< 10 mΩ
Maximum Travel	0.400 (10.16)
Working Travel	0.317 (8.05)

MATERIALS

Barrel	G2
Spring	Music wire, gold plated over nickel
Plunger	Beryllium copper, or steel, gold plated over nickel

HOW TO ORDER

ICT - L100 - T - 5.7 - G - S

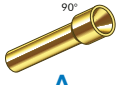
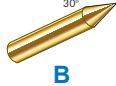







1 2 3 4 5 6

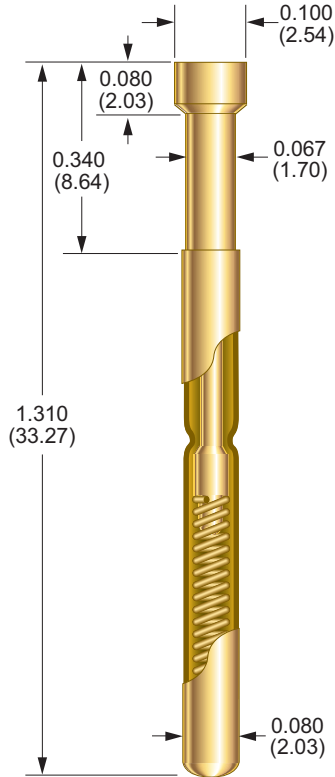
1 ► SERIES	ICT
2 ► SIZE	L100
3 ► TIP STYLE	A, H, J, SP, T
4 ► SPRING FORCE	5.7 oz.
5 ► PLUNGER PLATING	G GOLD
6 ► STEEL PLUNGER OPTION	S STEEL

► **S-3 SERIES**

0.125 (3.18) Centers

For R-3 Series Receptacles see pg. 66

STEEL TIPS	DIAMETER
 A	0.100 (2.54)
 B	0.067 (1.70)
 C	0.067 (1.70)
 E	0.100 (2.54)
 F	0.100 (2.54)
 G	0.067 (1.70)
 H	0.100 (2.54)
 J	0.067 (1.70)
 K	0.100 (2.54)



PROBE SPECIFICATIONS

Minimum Centers	0.125 (3.18)
Current Rating	5 A continuous
Spring Force	4.00 oz (113 g) or 7.00 oz (198 g) @ 0.170 (4.32) travel
Preload Force	1.80 oz (51 g) (4.00 oz spring) 2.90 oz (82 g) (7.00 oz spring)
Typical Resistance	< 20 mΩ
Maximum Travel	0.250 (6.35)
Working Travel	0.170 (4.32)

MATERIALS

Barrel	Nickel/silver, gold plated
Spring	Stainless steel, gold plated
Plunger	Beryllium copper, gold plated over nickel, or Duralloy™

HOW TO ORDER

S - 3 - A - 4 - G	
1 2 3 4 5	
1 ► SERIES	S
2 ► SIZE	3
3 ► TIP STYLE	A, B, C, E, F, G, H, J, K
4 ► SPRING FORCE	4 oz. 7 oz.
5 ► PLUNGER PLATING	G GOLD D DURALLOY™

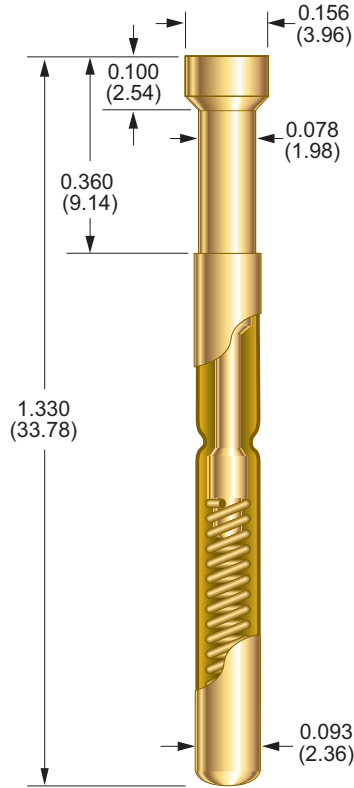
► S-4 SERIES

0.156 (3.96) – 0.187 (4.75) Centers

For R-4 Series Receptacles see pg. 67

0.156 PITCH BECU TIPS		DIAMETER	
	B	0.078 (1.98)	
	C	0.078 (1.98)	
	D	0.090 (2.29)	
	G	0.078 (1.98)	
	J	0.078 (1.98)	
	K	0.100 (2.54)	

0.187 PITCH BECU TIPS		DIAMETER	
	A	0.156 (3.96)	
	E	0.156 (3.96)	
	F	0.156 (3.96)	
	H	0.156 (3.96)	



PROBE SPECIFICATIONS

Minimum Centers	0.156 (3.96) (tips: B, C, D, G, J, K) or 0.187 (4.75) (tips: A, E, F, H)
Current Rating	5 A continuous
Spring Force	5.00 oz (142 g) or 7.00 oz (198 g) @ 0.170 (4.32) travel
Preload Force	2.00 oz (57 g) (5.00 oz spring) 2.80 oz (79 g) (7.00 oz spring)
Typical Resistance	< 20 mΩ
Maximum Travel	0.250 (6.35)
Working Travel	0.170 (4.32)

MATERIALS

Barrel	Nickel/silver, gold plated
Spring	Stainless steel, gold plated
Plunger	Beryllium copper, gold plated over nickel, or Duralloy™

HOW TO ORDER

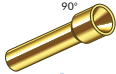
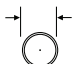
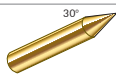
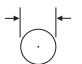



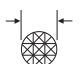

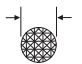
S - 4 - A - 5 - G
1 2 3 4 5

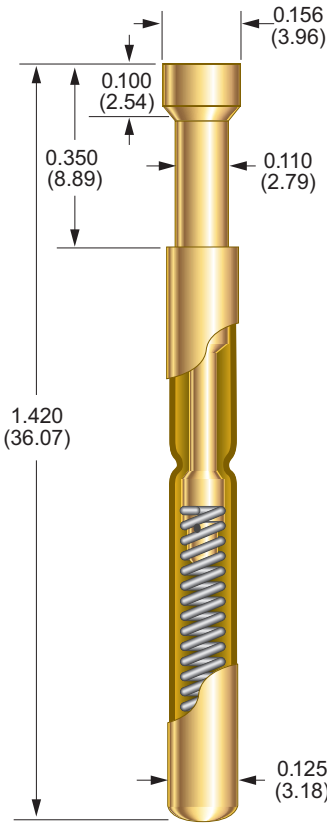
1 ► SERIES	S
2 ► SIZE	4
3 ► TIP STYLE	A, B, C, D, E, F, G, H, J, K
4 ► SPRING FORCE	5 oz. 7 oz.
5 ► PLUNGER PLATING	G GOLD D DURALLOY™

► **S-5 SERIES**

0.187 (4.75) – 0.300 (7.62) Centers

For R-5 Series Receptacles see pg. 68

0.187 PITCH BECU TIPS		DIAMETER	
	A	0.156 (3.96)	
	B	0.110 (2.79)	
	F	0.156 (3.96)	
	H	0.156 (3.96)	
0.300 PITCH BECU TIP		DIAMETER	
	HLF	0.250 (6.35)	



PROBE SPECIFICATIONS

Minimum Centers	0.187 (4.75) (tips: A, B, F, H) or 0.300 (7.62) (tip: HLF)
Current Rating	5 A continuous
Spring Force	8.00 oz (227 g) or 16.40 oz (465 g) @ 0.170 (4.32) travel
Preload Force	3.10 oz (88 g) (8.00 oz spring, stainless steel) 2.80 oz (79 g) (16.40 oz spring, music wire)
Typical Resistance	< 8 mΩ
Maximum Travel	0.250 (6.35)
Working Travel	0.170 (4.32)

MATERIALS


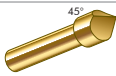
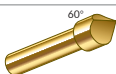
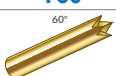
Barrel	Nickel/silver, gold plated
Spring	Music wire, or stainless steel
Plunger	Beryllium copper, gold plated over nickel, or Duralloy™

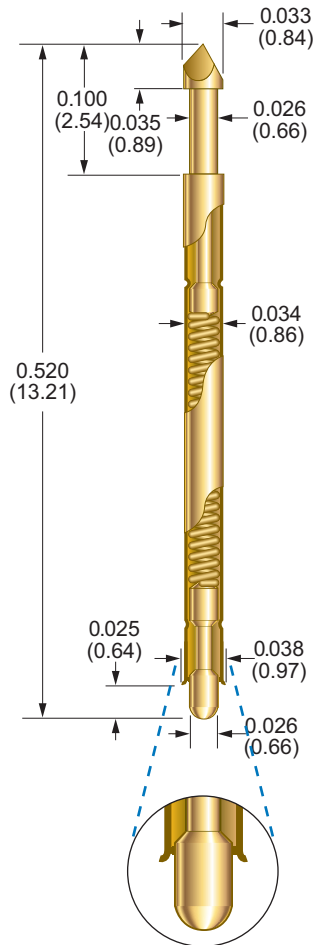
HOW TO ORDER

S - 5 - A - 16.4 - G	
	1 2 3 4 5
1 ► SERIES	S
2 ► SIZE	5
3 ► TIP STYLE	A, B, F, H, HLF
4 ► SPRING FORCE	8 oz. 16.4 oz.
5 ► PLUNGER PLATING	G GOLD D DURALLOY™

► DE-50 DOUBLE-ENDED SERIES

0.050 (1.27) Centers

BECU TIPS	DIAMETER
 D	0.033 (0.84)
 T45	0.033 (0.84)
 T60	0.033 (0.84)
 U	0.026 (0.66)



PROBE SPECIFICATIONS

Minimum Centers	0.050 (1.27)
Drill Size	#64 – 0.035/0.0365 (0.89/0.93)
Current Rating	3 A continuous
Spring Force	2.00 oz (57 g) @ 0.050 (1.27) travel
Typical Resistance	< 50 mΩ
Maximum Travel	0.080 (2.03)
Working Travel	0.050 (1.27)

MATERIALS

Barrel	Nickel/silver, gold plated
Spring	Music wire, gold plated
Plunger	Beryllium copper, gold plated


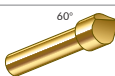
HOW TO ORDER

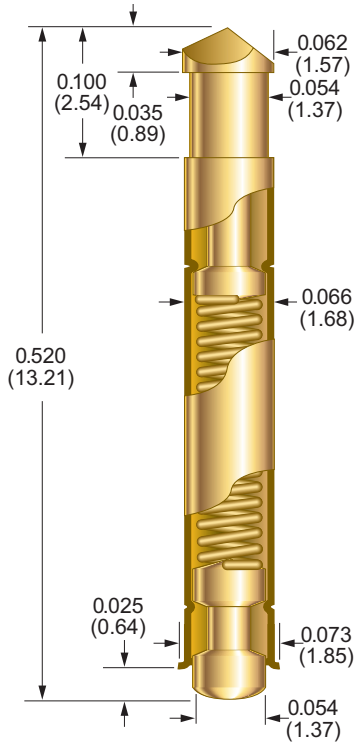
DE - 50 - D - 2 - G	
	1 2 3 4 5
1 ► SERIES	DE
2 ► SIZE	50
3 ► TIP STYLE	D, T45, T60, U
4 ► SPRING FORCE	2 oz.
5 ► PLUNGER PLATING	G GOLD

1. Bottom plunger travels to “below flush” to the barrel end.
Dimensions are in inches (mm) | All specifications are subject to change

► **DE-100 DOUBLE-ENDED SERIES**

0.100 (2.54) Centers

BECU TIPS	DIAMETER
 J	0.054 (1.37)
 T	0.062 (1.57)



PROBE SPECIFICATIONS

Minimum Centers	0.100 (2.54)
Drill Size	1.75 mm – 0.067/0.069 (1.70/1.75)
Current Rating	3 A continuous
Spring Force	3.00 oz (85 g) @ 0.050 (1.27) travel
Typical Resistance	< 50 mΩ
Maximum Travel	0.080 (2.03)
Working Travel	0.050 (1.27)

MATERIALS

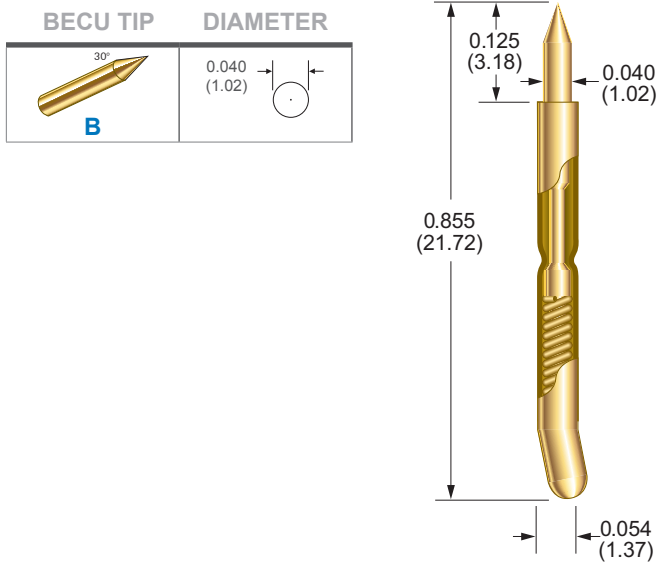
Barrel	Nickel/silver, gold plated
Spring	Music wire, gold plated
Plunger	Beryllium copper, gold plated

HOW TO ORDER

DE - 100 - J - 3 - G	
	1 2 3 4 5
1 ► SERIES	DE
2 ► SIZE	100
3 ► TIP STYLE	J, T
4 ► SPRING FORCE	3 oz.
5 ► PLUNGER PLATING	G GOLD

► **GENRAD INTERFACE SERIES**

0.100 (2.54) Centers | 0.855 OAL



PROBE SPECIFICATIONS

Minimum Centers	0.100 (2.54)
Current Rating	3 A continuous
Spring Force	4.00 oz (113 g) @ 0.083 (2.10) travel
Preload Force	1.30 oz (37 g)
Typical Resistance	< 25 mΩ
Maximum Travel	0.125 (3.18)
Working Travel	0.083 (2.10)

MATERIALS

Barrel	Nickel/silver, gold plated
Spring	Beryllium copper, precious metal plated
Plunger	Beryllium copper, gold plated over nickel

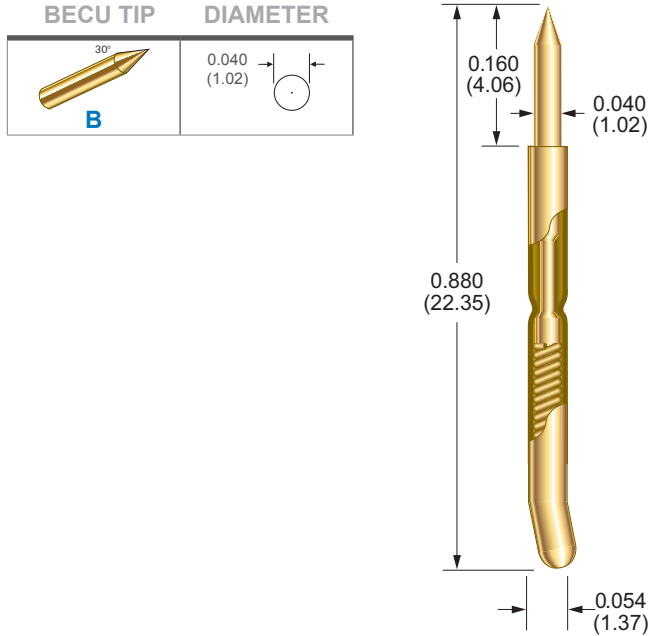
HOW TO ORDER

SPGR - 2 - B - 4 - G	
1 2 3 4 5	
1 ► SERIES	SGR ⁽¹⁾ (w/o bend) SPGR ⁽²⁾ (w/ bend)
2 ► SIZE	2
3 ► TIP STYLE	B
4 ► SPRING FORCE	4 oz.
5 ► PLUNGER PLATING	G GOLD

1. For use in GenRad 2270, 2271, 2272, 2282
 2. For use in GenRad 2283, 2284, 2286, 2287 – models prior to 7/95
 Dimensions are in inches (mm) | All specifications are subject to change

► **GENRAD INTERFACE SERIES**

0.100 (2.54) Centers | 0.880 OAL



PROBE SPECIFICATIONS

Minimum Centers	0.100 (2.54)
Current Rating	3 A continuous
Spring Force	3.70 oz (105 g) @ 0.107 (2.72) travel
Preload Force	1.40 oz (40 g)
Typical Resistance	< 25 mΩ
Maximum Travel	0.160 (4.06)
Working Travel	0.107 (2.72)

MATERIALS

Barrel	Nickel/silver, gold plated
Spring	Beryllium copper, precious metal plated
Plunger	Beryllium copper, gold plated over nickel

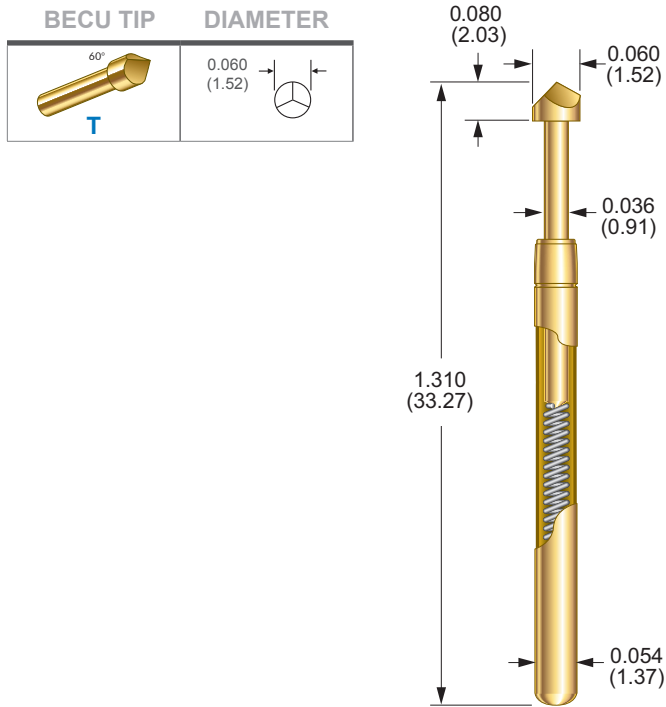
HOW TO ORDER

SPGR - 2 - B - 3.7 - G - 880 <small>1 2 3 4 5 6</small>	
1 ► SERIES	SGR ⁽¹⁾ (w/o bend) SPGR ⁽²⁾ (w/ bend)
2 ► SIZE	2
3 ► TIP STYLE	B
4 ► SPRING FORCE	3.7 oz.
5 ► PLUNGER PLATING	G GOLD
6 ► OAL	880 0.880 IN.

1. For use in GenRad 2280, 2281, 2281A, 2287A, 228X ICA
 2. For use in GenRad 2283, 2284, 2286, 2287, LX228 – models prior to 7/95
 Dimensions are in inches (mm) | All specifications are subject to change

▶ TERADYNE INTERFACE SERIES

0.100 (2.54) Centers



PROBE SPECIFICATIONS

Minimum Centers	0.100 (2.54)
Current Rating	3 A continuous
Spring Force	3.50 oz (99 g) @ 0.170 (4.32) travel
Preload Force	1.50 oz (43 g)
Typical Resistance	< 25 mΩ
Maximum Travel	0.250 (6.35)
Working Travel	0.170 (4.32)

MATERIALS

Barrel	G2
Spring	Beryllium copper, precious metal plated
Plunger	Beryllium copper, gold plated over nickel

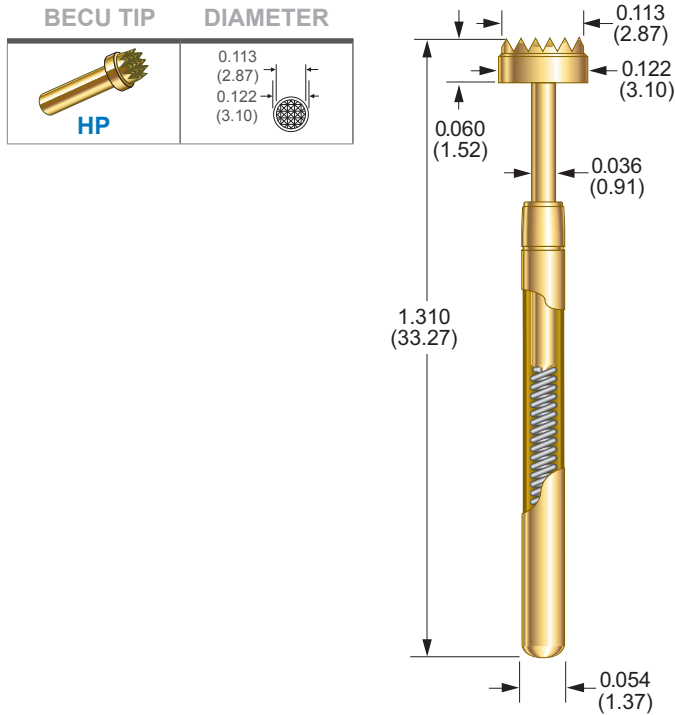
HOW TO ORDER

S - 100 - T - 3.5 - G <small>1 2 3 4 5</small>	
1 ▶ SERIES	S ⁽¹⁾
2 ▶ SIZE	100
3 ▶ TIP STYLE	T
4 ▶ SPRING FORCE	3.5 oz.
5 ▶ PLUNGER PLATING	G GOLD

1. For use in 1800, Series 7878
 Dimensions are in inches (mm) | All specifications are subject to change

► **AGILENT INTERFACE SERIES**

0.150 (3.81) Centers



PROBE SPECIFICATIONS

Minimum Centers	0.150 (3.81)
Current Rating	3 A continuous
Spring Force	3.50 oz (99 g) @ 0.170 (4.32) travel
Preload Force	1.50 oz (43 g)
Typical Resistance	< 25 mΩ
Maximum Travel	0.250 (6.35)
Working Travel	0.170 (4.32)

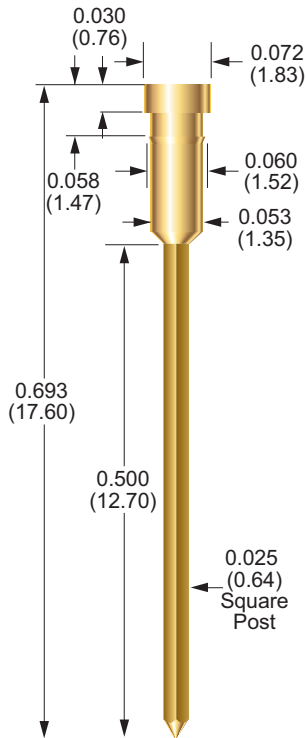
MATERIALS

Barrel	G2
Spring	Beryllium copper, precious metal plated
Plunger	Beryllium copper, gold plated over nickel

HOW TO ORDER

S - 100 - HP - 3.5 - G <small>1 2 3 4 5</small>	
1 ► SERIES	S ⁽¹⁾
2 ► SIZE	100
3 ► TIP STYLE	HP
4 ► SPRING FORCE	3.5 oz.
5 ► PLUNGER PLATING	G GOLD

▶ PI-410 INTERFACE PIN



PROBE SPECIFICATIONS

Drill Size	1.45 mm
Mounting Hole	0.057 (1.45)

MATERIALS

Pin	Brass
Plunger	Gold over nickel

HOW TO ORDER

PI - 410
1 2

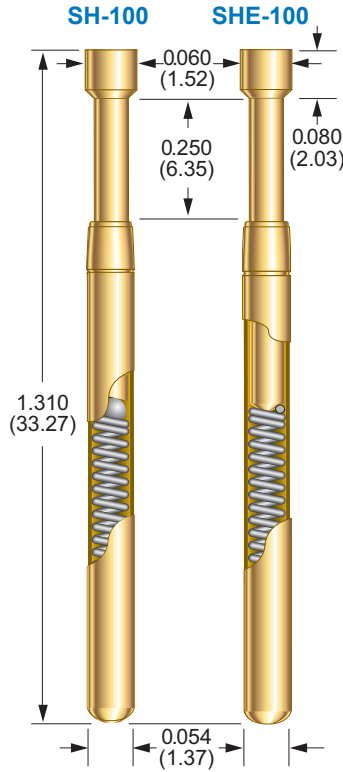
► **SH-100 & SHE-100 SERIES**

0.100 (2.54) Centers

For RH-100 Series Receptacles see pg. 69

SHE-100 BECU TIPS	DIAMETER
A	0.060 (1.52)
B	0.036 (0.91)
H	0.060 (1.52)
K	0.060 (1.52)

SH-100 BECU TIPS	DIAMETER
A	0.060 (1.52)
F	0.060 (1.52)
H	0.060 (1.52)
J	0.036 (0.91)



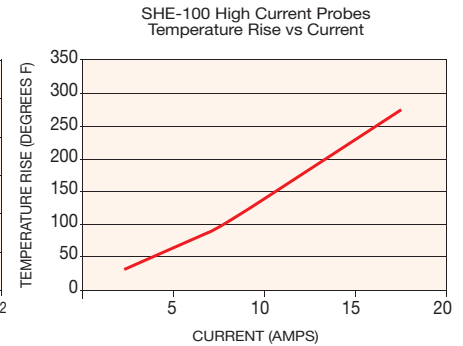
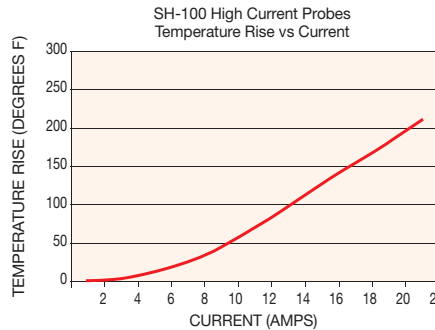
PROBE SPECIFICATIONS

Minimum Centers	0.100 (2.54)
Current Rating	SHE-100: 8 A continuous SH-100: 15 A continuous <i>(individual probe in free air @ ambient temperature)</i>
Spring Force	4.00 oz (113 g) ⁽¹⁾ or 6.70 oz (190 g) @ 0.170 (4.32) travel
Preload Force	1.60 oz (45 g) (4.00 oz spring) ⁽¹⁾ 2.40 oz (68 g) (6.70 oz spring)
Maximum Travel	0.250 (6.35)
Working Travel	0.170 (4.32)

MATERIALS

Barrel	High performance copper alloy, gold plated
Spring	Stainless steel
Plunger	Beryllium copper, gold plated
Ball⁽¹⁾	Stainless steel

0.100 CENTER HIGH CURRENT PROBES CURRENT RATINGS⁽²⁾



HOW TO ORDER

SHE - 100 - A - 6.7 - G

1 ► SERIES	SH SHE
2 ► SIZE	100
3 ► TIP STYLE	A, B, F, H, J, K
4 ► SPRING FORCE	4 oz. ⁽¹⁾ 6.7 oz.
5 ► PLUNGER PLATING	G GOLD

1. For SH-100 Series only

2. Smiths Connectors' current ratings are defined as the maximum current at which the temperature rise of the probe does not exceed 144°F (80°C) for a single probe in free air at ambient temperature for one hour. Dimensions are in inches (mm) | All specifications are subject to change

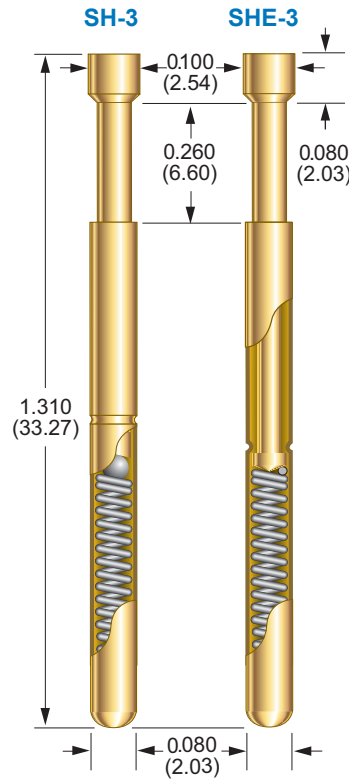
► SH-3 & SHE-3 SERIES

0.125 (3.18) Centers

For RH-3 Series Receptacles see pg. 70

SHE-3 BECU TIPS	DIAMETER
A	0.100 (2.54)
B	0.067 (1.70)
H	0.100 (2.54)
K	0.100 (2.54)

SH-3 BECU TIPS	DIAMETER
A	0.100 (2.54)
F	0.100 (2.54)
H	0.100 (2.54)
J	0.067 (1.70)



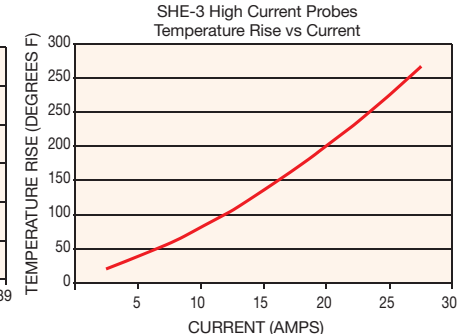
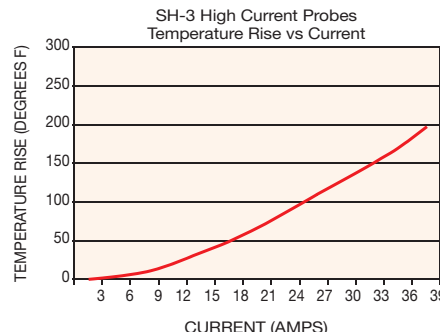
PROBE SPECIFICATIONS

Minimum Centers	0.125 (3.18)
Current Rating	SHE-3: 14 A continuous SH-3: 27 A continuous <i>(individual probe in free air @ ambient temperature)</i>
Spring Force	7.00 oz (199 g) @ 0.170 (4.32) travel
Preload Force	2.90 oz (82 g)
Maximum Travel	0.250 (6.35)
Working Travel	0.170 (4.32)

MATERIALS

Barrel	High performance copper alloy, gold plated
Spring	Stainless steel
Plunger	Beryllium copper, gold plated
Ball⁽¹⁾	Stainless steel

0.125 CENTER HIGH CURRENT PROBES CURRENT RATINGS⁽²⁾



HOW TO ORDER

SHE - 3 - A - 7 - G
1 2 3 4 5

1 ► SERIES	SH SHE
2 ► SIZE	3
3 ► TIP STYLE	A, B, F, H, J, K
4 ► SPRING FORCE	7 oz.
5 ► PLUNGER PLATING	G GOLD

1. For SH-3 Series only

2. Smiths Connectors' current ratings are defined as the maximum current at which the temperature rise of the probe does not exceed 144°F (80°C) for a single probe in free air at ambient temperature for one hour.

Dimensions are in inches (mm) | All specifications are subject to change

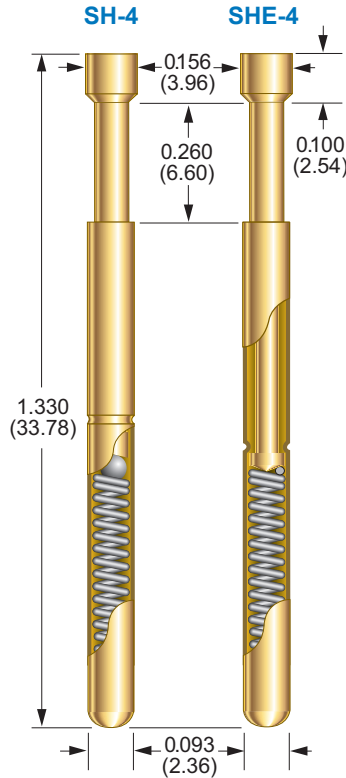
► **SH-4 & SHE-4 SERIES**

0.156 (3.96) – 0.187 (4.75) Centers

For RH-4 Series Receptacles see pg. 71

SHE-4 BECU TIPS	DIAMETER
A	0.156 (3.96)
B	0.078 (1.98)
H	0.156 (3.96)
K	0.100 (2.54)

SH-4 BECU TIPS	DIAMETER
A	0.156 (3.96)
F	0.156 (3.96)
H	0.156 (3.96)



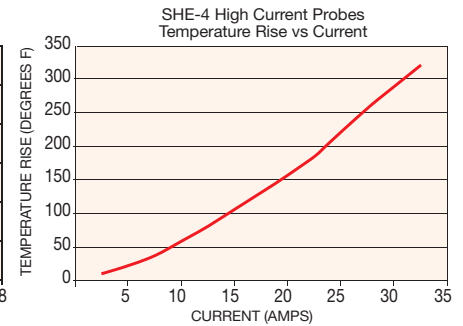
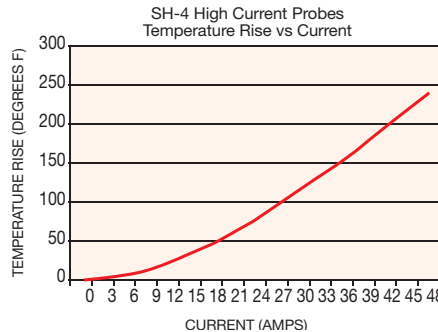
PROBE SPECIFICATIONS

Minimum Centers	0.156 (3.96) (tips: B, K) 0.187 (4.75) (tips: A, F, H)
Current Rating	SHE-4: 21 A continuous SH-4: 32 A continuous <i>(individual probe in free air @ ambient temperature)</i>
Spring Force	10.00 oz (283 g) @ 0.170 (4.32) travel
Preload Force	4.00 oz (115 g)
Maximum Travel	0.250 (6.35)
Working Travel	0.170 (4.32)

MATERIALS

Barrel	High performance copper alloy, gold plated
Spring	Stainless steel
Plunger	Beryllium copper, gold plated
Ball⁽¹⁾	Stainless steel

0.156 & 0.187 CENTER HIGH CURRENT PROBES CURRENT RATINGS⁽²⁾



HOW TO ORDER

SHE - 4 - A - 10 - G	
	1 2 3 4 5
1 ▶ SERIES	SH SHE
2 ▶ SIZE	4
3 ▶ TIP STYLE	A, B, F, H, K
4 ▶ SPRING FORCE	10 oz.
5 ▶ PLUNGER PLATING	G GOLD

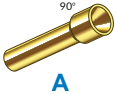
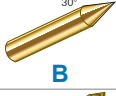

1. For SH-4 Series only

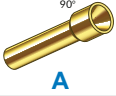
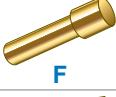


2. Smiths Connectors' current ratings are defined as the maximum current at which the temperature rise of the probe does not exceed 144°F (80°C) for a single probe in free air at ambient temperature for one hour. Dimensions are in inches (mm) | All specifications are subject to change

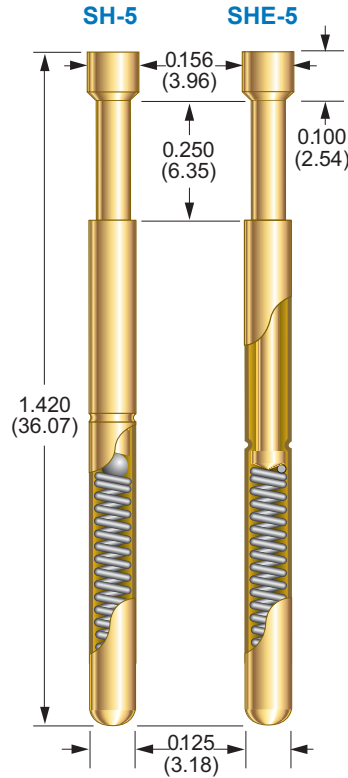
► SH-5 & SHE-5 SERIES

0.187 (4.75) Centers

For RH-5 Series Receptacles see pg. 72

SHE-5 BECU TIPS	DIAMETER
 A	0.156 (3.96)
 B	0.110 (2.79)
 H	0.156 (3.96)

SH-5 BECU TIPS	DIAMETER
 A	0.156 (3.96)
 F	0.156 (3.96)
 H	0.156 (3.96)
 J	0.110 (2.79)



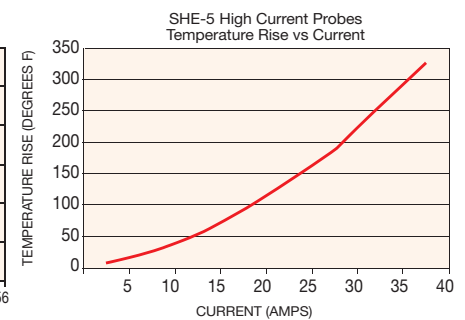
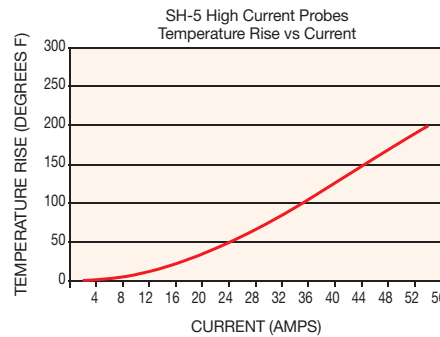
PROBE SPECIFICATIONS

Minimum Centers	0.187 (4.75)
Current Rating	SHE-5: 23 A continuous SH-5: 39 A continuous <i>(individual probe in free air @ ambient temperature)</i>
Spring Force	18.70 oz (531 g) @ 0.170 (4.32) travel
Preload Force	7.20 oz (204 g)
Maximum Travel	0.250 (6.35)
Working Travel	0.170 (4.32)

MATERIALS

Barrel	High performance copper alloy, gold plated
Spring	Stainless steel
Plunger	Beryllium copper, gold plated
Ball⁽¹⁾	Stainless steel

0.187 CENTER HIGH CURRENT PROBES CURRENT RATINGS⁽²⁾



HOW TO ORDER

SHE - 5 - A - 7 - G
1 2 3 4 5

1 ► SERIES	SH SHE
2 ► SIZE	5
3 ► TIP STYLE	A, B, F, H, J
4 ► SPRING FORCE	18.7 oz.
5 ► PLUNGER PLATING	G GOLD

1. For SH-5 Series only

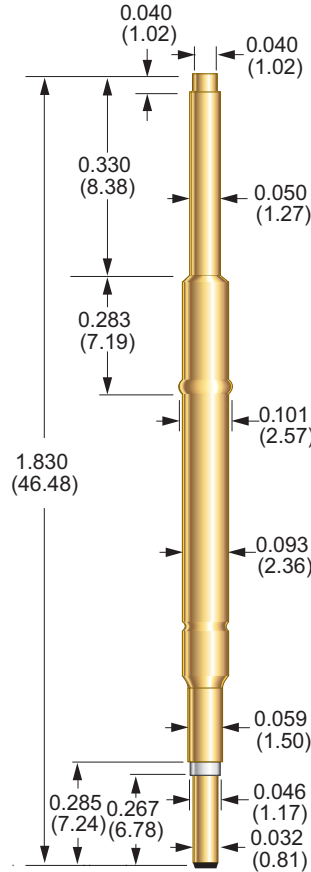
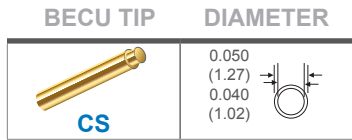
2. Smiths Connectors' current ratings are defined as the maximum current at which the temperature rise of the probe does not exceed 144°F (80°C) for a single probe in free air at ambient temperature for one hour.

Dimensions are in inches (mm) | All specifications are subject to change

► **SIZE 3 SWITCH PROBE SERIES**

0.125 (3.18) Centers

Does not require a receptacle. The barrel of the switch probe is designed to mount directly in the mounting plate



PROBE SPECIFICATIONS

Minimum Centers	0.125 (3.18)
Current Rating	3 A continuous
Spring Force	4.00 oz (114 g) @ 0.197 (5.00) travel
Preload Force	1.40 oz (40 g)
Maximum Travel	0.295 (7.49)
Working Travel	0.197 (5.00)
Travel to Switch Point	0.025 (0.64)
Spring Force at Switch Point	1.80 oz. (51 g)

MATERIALS

Barrel	Nickel/silver, gold plated
Spring	Music wire
Plungers	Full-hard beryllium copper, gold plated
Insulator	Delrin
Contact	Beryllium copper, gold plated

MOUNTING

Drill Size	#41
Mounting Hole Size	0.094/0.096 (2.39/2.44)

HOW TO ORDER

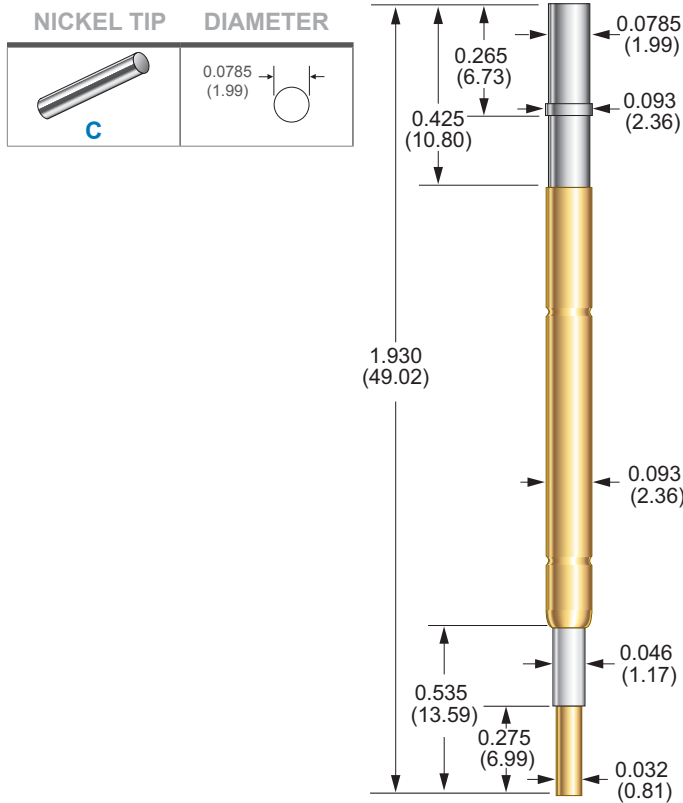
SW - 3 - CS - 1.8 - G
1 2 3 4 5

1 ► SERIES	SW
2 ► SIZE	3
3 ► TIP STYLE	CS
4 ► SPRING FORCE AT SWITCH	1.8 oz.
5 ► PLUNGER PLATING	G GOLD

► SIZE 4 SWITCH PROBE SERIES

0.156 (3.96) Centers

For R-4-CR Series Receptacles see pg. 73



PROBE SPECIFICATIONS

Minimum Centers	0.156 (3.96)
Current Rating	3 A continuous
Spring Force	4.80 oz (136 g) @ 0.120 (3.05) travel
Preload Force	2.50 oz (71 g)
Maximum Travel	0.160 (4.06)
Working Travel	0.120 (3.05)
Travel to Switch Point	0.107 (2.72)
Spring Force at Switch Point	4.40 oz. (125 g)

MATERIALS

Barrel	Nickel/silver, gold plated
Spring	Stainless steel
Plunger	Beryllium copper, nickel plated
Insulator	Delrin
Contact	Beryllium copper, gold plated

HOW TO ORDER

SW - 4 - C - 4.4 - EN

1 2 3 4 5

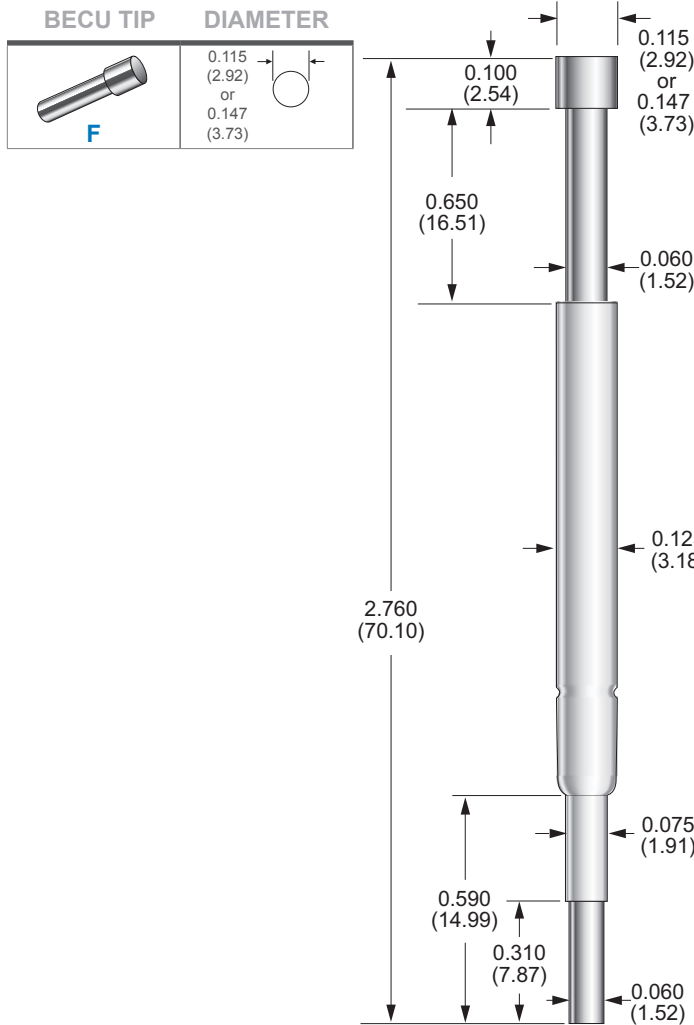
1 ► SERIES	SW
2 ► SIZE	4
3 ► TIP STYLE	C
4 ► SPRING FORCE AT SWITCH	4.4 oz.
5 ► PLUNGER PLATING	EN NICKEL

1. The size 3 switch probe shown does not require a receptacle. The barrel of the switch probe is designed to mount directly in the mounting plate.
Dimensions are in inches (mm) | All specifications are subject to change

► **SIZE 5 SWITCH PROBE SERIES**

0.187 (4.75) Centers

For R-5-SW Series Receptacles see pg. 74



PROBE SPECIFICATIONS

Minimum Centers	0.187 (4.75)
Current Rating	3 A continuous
Spring Force	8.60 oz (244 g) or 20.40 oz (579 g) @ 0.137 (3.48) travel
Preload Force	1.80 oz (51 g) (8.60 oz spring/stainless steel) 5.20 oz (148 g) (20.40 oz spring/music wire)
Maximum Travel	0.190 (4.83)
Working Travel	0.137 (3.48)
Travel to Switch Point	0.030 (0.76)
Spring Force at Switch Point	4.00 oz. (113 g) (8.60 oz spring/stainless steel) or 10.30 oz. (293 g) (20.40 oz spring/music wire)

MATERIALS

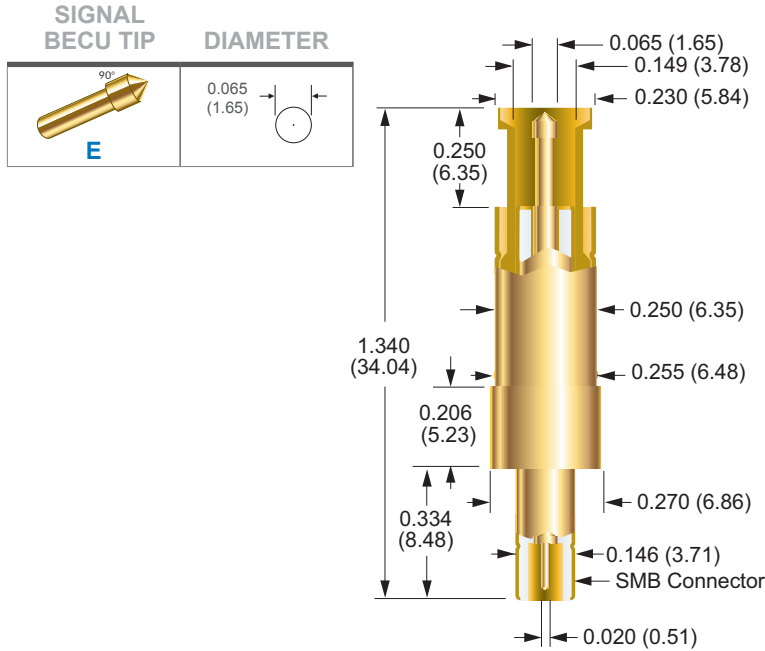
Barrel	Nickel/silver, silver plated
Spring	Music wire or stainless steel
Plunger	Beryllium copper, nickel plated
Insulator	Delrin
Contact	Beryllium copper, nickel plated

HOW TO ORDER

SW - 5 - F - 4 - EN - 115	
1 2 3 4 5 6	
1 ► SERIES	SW
2 ► SIZE	5
3 ► TIP STYLE	F
4 ► SPRING FORCE AT SWITCH	4 oz. 10.3 oz.
5 ► PLUNGER PLATING	EN NICKEL
6 ► HEAD DIAMETER	115 0.115 IN. 147 0.147 IN.

► **100563 COAX SERIES**

0.300 (7.62) Centers | SMB Connector



PROBE SPECIFICATIONS

Minimum Centers	0.300 (7.62)
Current Rating	3 A continuous
Spring Force	Signal Conductor: 2.30 oz (65 g) @ 0.107 (2.72) travel Shielding Plunger: 5.80 oz (164 g) @ 0.107 (2.72) travel
Nominal Impedance	50 Ω
Maximum Travel	0.170 (4.32)
Working Travel	0.107 (2.72)

MATERIALS

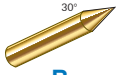
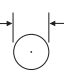
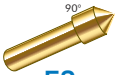
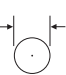

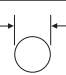

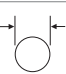
Barrel Spring	Brass, gold plated Signal Conductor: Beryllium copper, gold plated Shielding Plunger: Stainless steel, gold plated
Shielding Plunger	Brass, gold plated
Dielectric Insulator	Teflon
Shielding Tube	Stainless steel, gold plated
Signal Conductor	100954

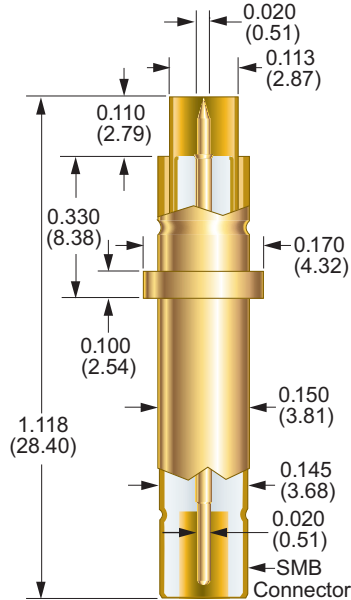
HOW TO ORDER

100563 - E	
1 2	
1 ► BASE PART NUMBER	100563
2 ► SIGNAL TIP STYLE	E

▶ 100559 & 100910 COAX SERIES

0.300 (7.62) Centers | SMB Connector

SIGNAL BECU TIPS		DIAMETER
 B	0.020 (0.51)	
 ES	0.046 (1.17)	
SHIELDING BECU TIPS		DIAMETER
 N	0.113 (2.87)	
 S	0.113 (2.87)	



PROBE SPECIFICATIONS

Minimum Centers	0.300 (7.62)
Current Rating	3 A continuous
Spring Force	Signal Conductor: 1.60 oz (45 g) @ 0.070 (1.78) travel (<i>tip B</i>) 2.00 oz (57 g) @ 0.070 (1.78) travel (<i>tip ES</i>) Shielding Plunger: 4.30 oz (122 g) @ 0.070 (1.78) travel
Nominal Impedance	50 Ω
Maximum Travel	0.090 (2.29) (<i>tip B</i>) 0.075 (1.91) (<i>tip ES</i>)
Working Travel	0.070 (1.78)

MATERIALS

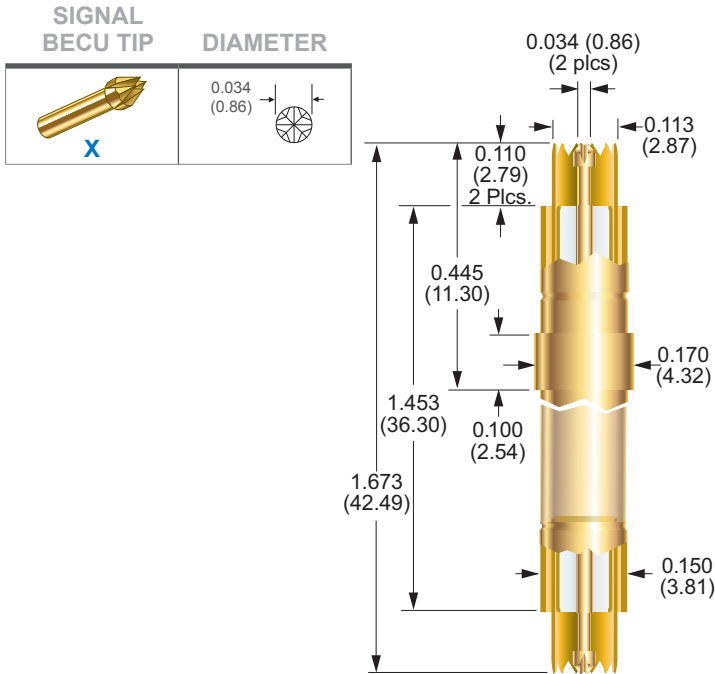
Barrel	Brass, gold plated
Spring	Signal Conductor: Beryllium copper, gold plated Shielding Plunger: Stainless steel, gold plated
Shielding Plunger	Beryllium copper, gold plated
Dielectric Insulator	Teflon
Shielding Tube	Brass, gold plated
Signal Conductor	Series S, Size 00

HOW TO ORDER

	100559 - B - S	
	1	2 3
1 ▶ BASE PART NUMBER	100559 (<i>w/out flange</i>)	100910 (<i>w/ flange</i>)
2 ▶ SIGNAL TIP STYLE	B, ES, N, S	
3 ▶ SHIELDING PLUNGER	S SERRATED	N FLAT

► **101097 COAX SERIES**

0.200 (5.08) Centers | Double-Ended & Attached Cable



PROBE SPECIFICATIONS

Minimum Centers	0.200 (5.08)
Current Rating	3 A continuous
Spring Force	Signal Conductor: 1.60 oz (45 g) @ 0.037 (0.94) travel, each end Shielding Plunger: 3.40 oz (96 g) @ 0.037 (0.94) travel, each end
Nominal Impedance	50 Ω
Maximum Travel	0.075 (1.91) each end
Working Travel	0.037 (0.94) each end

MATERIALS

Barrel	Brass, gold plated
Spring	Stainless steel, gold plated
Shielding Plunger	Beryllium copper, gold plated
Dielectric Insulator	Teflon
Shielding Tube	Brass, gold plated
Signal Conductor	100617-000 probe

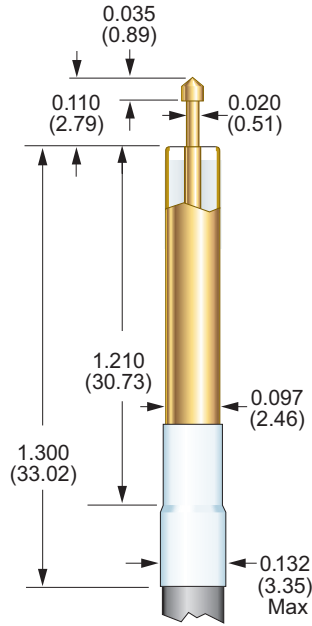
HOW TO ORDER

101097 - X - X	
1	2
1 ► BASE PART NUMBER	101097
2 ► TOP SIGNAL TIP STYLE	X
3 ► BOTTOM SIGNAL TIP STYLE	X

► 100526 COAX SERIES

0.150 (3.18) Centers | Double-Ended & Attached Cable

SIGNAL BECU TIPS	DIAMETER
B	0.020 (0.51)
ES	0.046 (1.17)
H	0.035 (0.89)
J	0.020 (0.51)
U	0.020 (0.51)



PROBE SPECIFICATIONS

Minimum Centers	0.150 (3.18)
Current Rating	3 A continuous
Spring Force	Signal Conductor: 1.60 oz (45 g) @ 0.070 (1.78) travel (<i>tips B, J, U</i>) 2.00 oz (57 g) @ 0.070 (1.78) travel (<i>tips ES, H</i>)
Nominal Impedance	50 Ω
Maximum Travel	0.090 (2.29) (<i>tips B, J, U</i>) 0.075 (1.91) (<i>tips ES, H</i>)
Working Travel	0.070 (1.78)

MATERIALS

Spring	Beryllium copper, gold plated
Dielectric Insulator	Teflon
Shielding Tube	Brass, gold plated
Signal Conductor	Series S, Size 00 probe
Coaxial Cable	RG 316

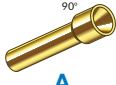
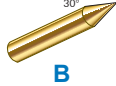




HOW TO ORDER

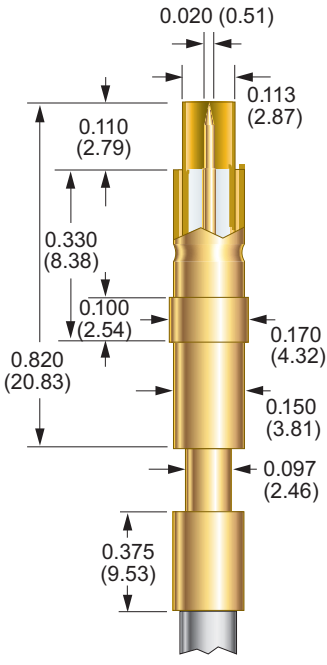
100526 - ES - 12 - AM	
	1 2 3 4
1 ► BASE PART NUMBER	100526
2 ► SIGNAL TIP STYLE	B, ES, H, J, U
3 ► CABLE LENGTH	12 IN. 36 IN.
4 ► TERMINATION	NC NO CONNECTOR AM SMA MALE AF SMA FEMALE

*When ordering with a preattached connector, please note that the connector will not fit through the probe mounting hole. The probe must be inserted from the bottom side of the mounting plate.
Dimensions are in inches (mm) | All specifications are subject to change

► **100445 & 100746 COAX SERIES**

0.200 (5.08) Centers | Attached Cable

SIGNAL PLUNGER BECU TIPS	DIAMETER
 A	0.035 (0.89)
 B	0.020 (0.51)
 ES	0.046 (1.17)
 H	0.035 (0.89)
SHIELDING PLUNGER BECU TIPS	DIAMETER
 N	0.113 (2.87)
 S	0.113 (2.87)



PROBE SPECIFICATIONS

Minimum Centers	0.200 (5.08)
Current Rating	3 A continuous
Spring Force	Signal Conductor: 1.60 oz (45 g) @ 0.070 (1.78) travel (<i>tip B</i>) 2.00 oz (57 g) @ 0.070 (1.78) travel (<i>tips A, ES, H</i>) Shielding Plunger: 4.30 oz (122 g) @ 0.070 (1.78) travel
Nominal Impedance	50 Ω
Maximum Travel	0.090 (2.29) (<i>tip B</i>) 0.075 (1.91) (<i>tips A, ES, H</i>)
Working Travel	0.070 (1.78)

MATERIALS

Barrel	Brass, gold plated
Spring	Signal Conductor: Beryllium copper, gold plated Shielding Plunger: Stainless steel, gold plated
Shielding Plunger	Beryllium copper, gold plated
Dielectric Insulator	Teflon
Shielding Tube	Stainless steel, gold plated
Signal Conductor	Series S, Size 00 probe
Crimp Ferrule	Brass, gold plated
Coaxial Cable	100445: RG 174U 100746: RG 316

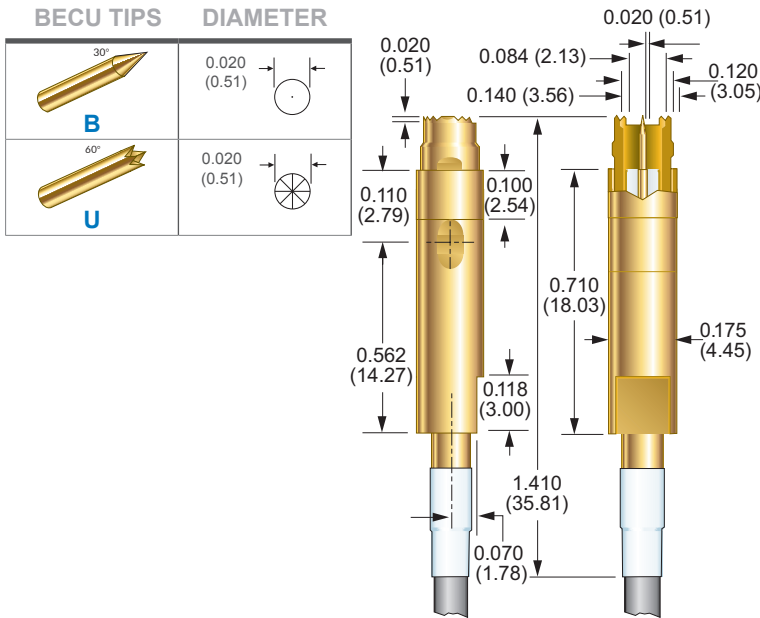
HOW TO ORDER

100445 - B - N - F - 12 - AM	
	1 2 3 4 5 6
1 ► BASE PART NUMBER	100445 100746
2 ► SIGNAL TIP STYLES	A, B, ES, H, N, S
3 ► MOUNTING FLANGE	N WITHOUT FLANGE F WITH FLANGE
4 ► SHIELDING PLUNGER	S SERRATED N FLAT
5 ► CABLE LENGTH	12 IN. 36 IN.
6 ► TERMINATION	AM SMA MALE AF SMA FEMALE NC NO CONNECTOR

*When ordering with a preattached connector, please note that the connector will not fit through the probe mounting hole. The probe must be inserted from the bottom side of the mounting plate. Dimensions are in inches (mm) | All specifications are subject to change

▶ 100999 COAX SERIES

0.200 (5.08) Centers | Attached Cable



PROBE SPECIFICATIONS

Minimum Centers	0.200 (5.08)
Current Rating	3 A continuous
Spring Force	Signal Conductor: 1.60 oz (45 g) @ 0.070 (1.78) travel (<i>tip B</i>) 3.30 oz (93 g) @ 0.070 (1.78) travel (<i>tip U</i>) Shielded Plunger: 4.50 oz (127 g) @ 0.070 (1.78) travel
Nominal Impedance	50 Ω
Maximum Travel	0.090 (2.29)
Working Travel	0.070 (1.78)

MATERIALS

Barrel	Brass, gold plated
Spring	Signal Conductor: Beryllium copper, gold plated Shielding Plunger: Stainless steel, gold plated
Shielding Plunger	Beryllium copper, gold plated
Dielectric Insulator	Teflon
Shielding Tube	Brass, gold plated
Signal Conductor	Series S, Size 00 probe
Coaxial Cable	Semi-flex or flex cable

HOW TO ORDER

1 0 0 9 9 9 - ES - 1 2 - AM - F	
1 2 3 4 5	
1 ▶ BASE PART NUMBER	1 0 0 9 9 9
2 ▶ SIGNAL TIP STYLE	B, U
3 ▶ CABLE LENGTH	1 2 IN. 3 6 IN.
4 ▶ TERMINATION	AM SMA MALE AF SMA FEMALE NC NO CONNECTOR
5 ▶ CABLE TYPE	F FLEX S SEMI-FLEX

*When ordering with a preattached connector, please note that the connector will not fit through the probe mounting hole. The probe must be inserted from the bottom side of the mounting plate.
Dimensions are in inches (mm) | All specifications are subject to change

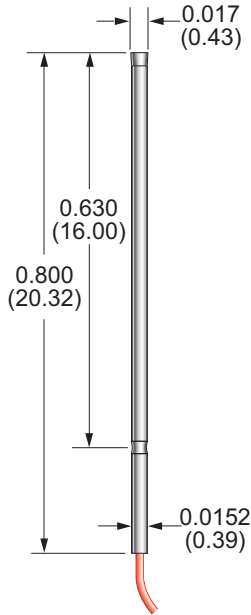
RECEPTACLES

Dimensions & Specifications

► QUAD-00 SERIES

0.020 (0.51) Centers

For Quad-00 Series Probes see pg. 3

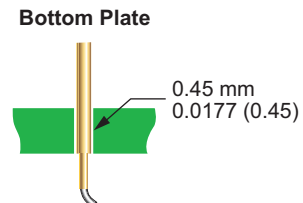
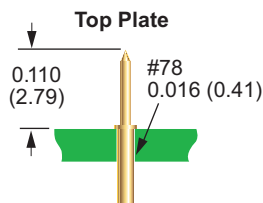
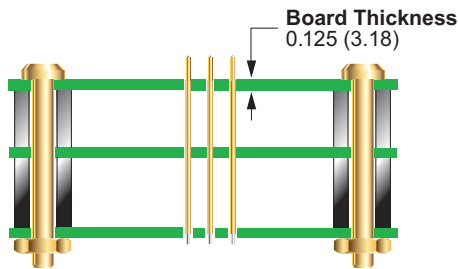


PROBE SPECIFICATIONS

Minimum Centers	0.020 (0.51)
Drill Size	#78
Mounting Hole Size	0.016 (0.41)
Recommended Wire	30 gage
Materials	Nickel/silver, gold lined inside

PART NUMBER	STYLE	RECEPTACLE LENGTH	PROBE/RECEPTACLE COMBINED LENGTH
QUAD-00-REC	Preattached Wire ⁽¹⁾	0.800 (20.32)	0.910 (23.11)

FIXTURING OPTIONS



HOW TO ORDER

QUAD - 00REC - 36 - 1	
1 2	
1 ► SERIES	QUAD - 00REC
2 ► WIRE ⁽¹⁾	0 - 0 NO WIRE
	12 - 1 WIRE LENGTH 12 IN., 1 IN. STRIP LENGTH
	36 - 1 WIRE LENGTH 36 IN., 1 IN. STRIP LENGTH

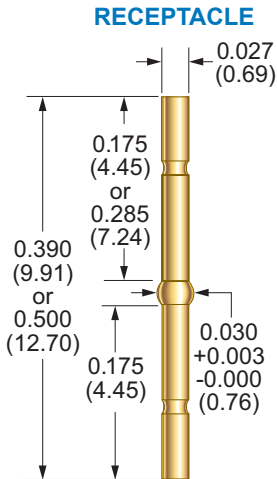
1. Wire length 36" with a 1" strip length, 12" & 36" standard, blue solid conductor Kynar wire
Dimensions are in inches (mm) | All specifications are subject to change

► R-00 SERIES

0.039 (1.00) Centers

For S-00 Series Probes see pg. 6

For SS-40 Series Probes see pg. 7



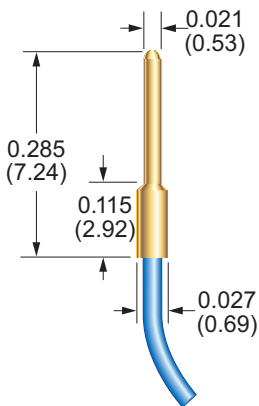
PROBE SPECIFICATIONS

Minimum Centers	0.039 (1.00)
Drill Size	0.75 mm
Mounting Hole Size	0.028/0.0295 (0.71/0.75)
Recommended Wire	30 gage
Receptacle Materials	Nickel/silver, gold plated
Plug-In Terminal Materials	Beryllium copper, preplated gold

TOOLS

Crimping Pliers	CP-00-390 (for 30 gage solid conductor) CP-00-500 (for 30 gage solid conductor)
Insertion Tool	RT-00

FP-PLUG



PART NUMBER	STYLE	RECEPTACLE OR TERMINAL LENGTH	PROBE/RECEPTACLE COMBINED LENGTH		PROBE/RECEPTACLE/TERMINAL COMBINED LENGTH	
			S-00	SS-40	S-00	SS-40
R-00-W-390	Receptacle	0.390 (9.91)	0.915 (23.24)	0.875 (22.23)	1.030 (26.16)	0.990 (25.15)
R-00-W-500	Receptacle	0.500 (12.70)	1.025 (26.04)	0.985 (25.02)	1.140 (28.96)	1.100 (27.94)
FP-Plug	Plug-In Terminal ⁽¹⁾	0.285 (7.24)	—	—	—	—

HOW TO ORDER RECEPTACLE

R - 00 - W - 390	
1	2
1 ► SERIES	R
2 ► SIZE	00
3 ► TERMINATION	W RECEPTACLE
4 ► LENGTH	390 0.390 IN. 500 0.500 IN.

HOW TO ORDER TERMINAL

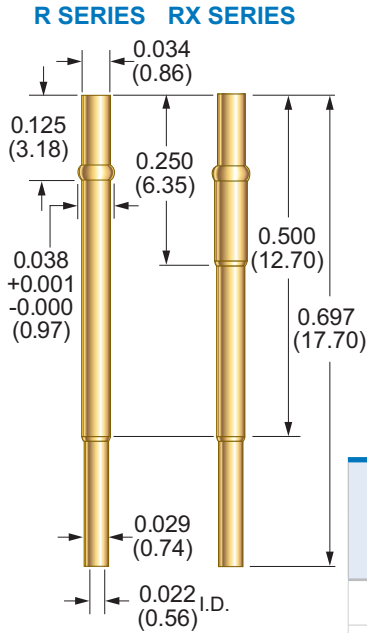
FP - PLUG - 36 - 1	
1	2
1 ► SERIES	FP - PLUG
2 ► WIRE ⁽¹⁾⁽²⁾	0 - 0 NO WIRE
	12 - 1 WIRE LENGTH 12 IN., 1 IN. STRIP LENGTH
	36 - 1 WIRE LENGTH 36 IN., 1 IN. STRIP LENGTH

1. Wire length 36" with a 1" strip length, 12" & 36" standard, blue solid conductor Kynar wire
 2. To order without preattached wire, leave wire length and strip length off of the end of the part number
 Dimensions are in inches (mm) | All specifications are subject to change

► **R-0 SERIES**

0.050 (1.27) Centers

For S-0 Series Probes see pg. 8
For SS-50 Series Probes see pg. 9



PROBE SPECIFICATIONS

Minimum Centers	0.050 (1.27)
Drill Size	#64
Mounting Hole Size	0.035/0.0365 (0.89/0.93)
Recommended Wire	28-30 gage
Materials	Nickel/silver, gold plated, gold plated post

TOOLS

Crimping Pliers	CP-0 (for 28-30 gage solid conductor)
Insertion Tool	RT-0

PART NUMBER	STYLE	RECEPTACLE LENGTH	PROBE/RECEPTACLE COMBINED LENGTH		NOTES
			S-00	SS-40	
R-0-CR	Crimp	0.697 (17.70)	0.857 (21.77)	0.807 (20.50)	—
R-0-SC	Solder Cup	0.697 (17.70)	0.857 (21.77)	0.807 (20.50)	—
R-0-WW-016	Wire Wrap	0.947 (24.05)	1.107 (28.12)	1.057 (26.85)	0.250 post length – 0.016 sq.
R-0-WW-025	Wire Wrap	0.997 (25.32)	1.157 (29.39)	1.107 (28.12)	0.300 post length – 0.025 sq.
R-0-PW-12-1	Preattached Wire ⁽²⁾	0.697 (17.70)	0.857 (21.77)	0.807 (20.50)	12" wire length, 1" strip length
R-0-PW-36-1	Preattached Wire ⁽²⁾	0.697 (17.70)	0.857 (21.77)	0.807 (20.50)	36" wire length, 1" strip length

HOW TO ORDER

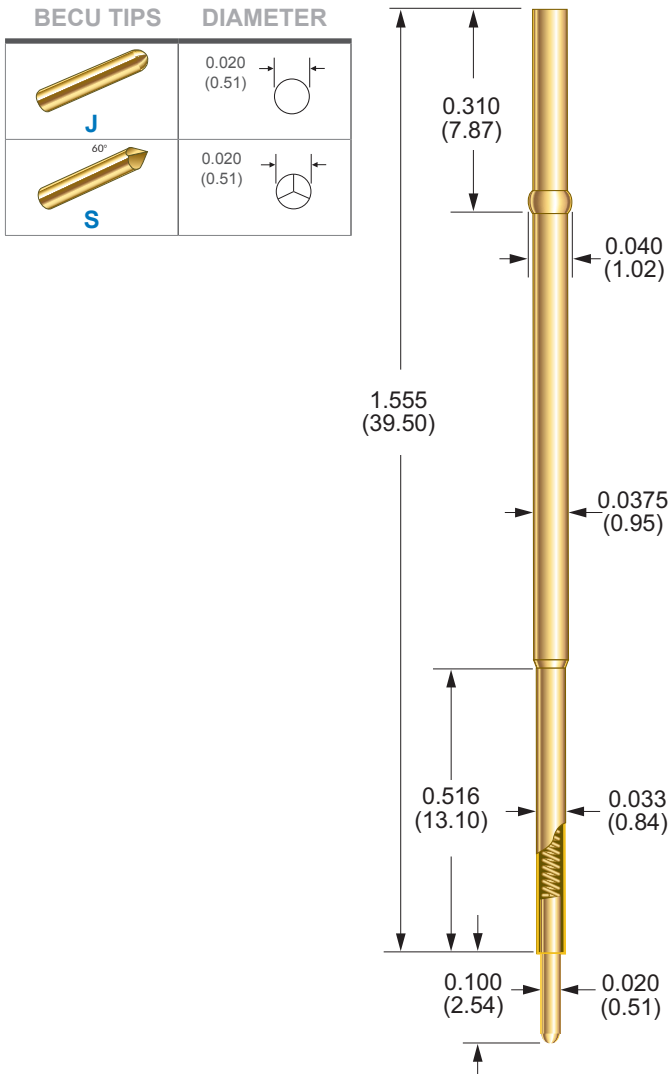
R - 0 - CR	
1 2 3	
1 ► SERIES	R RX⁽¹⁾
2 ► SIZE	0
3 ► TERMINATION	CR CRIMP SC SOLDER CUP
	WW - 016 WIRE WRAP 0.016 SQ. WW - 025 WIRE WRAP 0.025 SQ.
	PW - 12 - 1 PREATTACHED WIRE 12 IN., 1 IN. STRIP LENGTH ⁽²⁾
	PW - 36 - 1 PREATTACHED WIRE 36 IN., 1 IN. STRIP LENGTH ⁽²⁾

1. Improved pointing accuracy
2. Wire length 36" with a 1" strip length, 12" & 36" standard, blue solid conductor Kynar wire
Dimensions are in inches (mm) | All specifications are subject to change

► **R-50C-J-DE SERIES**

0.050 (1.27) Centers | Wireless Receptacle

For ICT-50C/S-50C Series Probes see pg. 10



PROBE SPECIFICATIONS

Minimum Centers	0.050 (1.27)
Drill Size	#61
Mounting Hole Size	0.0385/0.0390 (0.98/0.99)
Spring Force	2.70 oz (77 g) @ 0.069 (1.75) travel
Maximum Travel	0.100 (2.54)
Working Travel	0.070 (1.77)

MATERIALS

Receptacle	Beryllium copper, gold plated
Spring	Music wire, gold plated
Plunger	Beryllium copper, gold plated over nickel

TOOLS

Insertion Tool	RT-50
----------------	-------

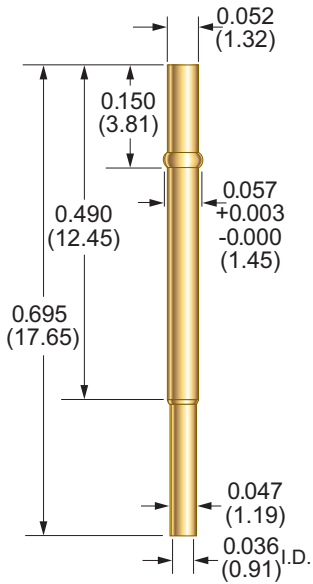
HOW TO ORDER

R - 50C - J - DE	
1 2 3 4	
1 ► SERIES	R
2 ► SIZE	50C
3 ► TIP STYLE	J, S
4 ► TERMINATION	DE DOUBLE-ENDED

► **R-1 SERIES**

0.075 (1.91) Centers

For S-1 Series Probes see pg. 13
For SS-75 Series Probes see pg. 14



PROBE SPECIFICATIONS

Minimum Centers	0.075 (1.91)
Drill Size	1.45 mm
Mounting Hole Size	0.055/0.057 (1.40/1.45)
Recommended Wire	24-28 gage
Materials	Nickel/silver, gold plated, gold plated post

TOOLS

Crimping Pliers	CP-1 (for 24-28 gage solid conductor)
Insertion Tool	RT-1

PART NUMBER	STYLE	RECEPTACLE LENGTH	PROBE/RECEPTACLE COMBINED LENGTH		NOTES
			S-1	SS-75	
R-1-CR	Crimp	0.695 (17.65)	0.875 (22.23)	0.825 (20.96)	—
R-1-SC	Solder Cup	0.695 (17.65)	0.875 (22.23)	0.825 (20.96)	—
R-1-RP	Round Post	1.070 (27.18)	1.250 (31.75)	1.200 (30.48)	0.375 post length – 0.025 dia.
R-1-WW-429	Wire Wrap	1.124 (28.55)	1.304 (33.12)	1.254 (31.85)	0.429 post length – 0.025 dia.

HOW TO ORDER

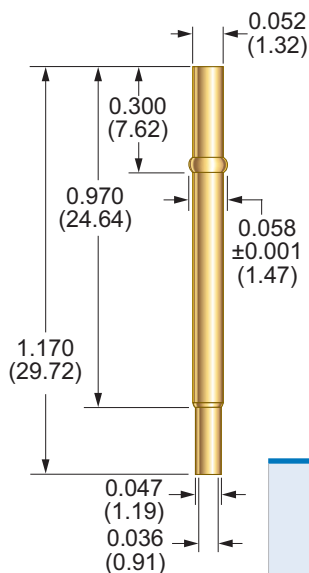
R - 1 - WW - 429	
1 2 3	
1 ► SERIES	R
2 ► SIZE	1
3 ► TERMINATION	CR CRIMP SC SOLDER CUP
	RP ROUND POST WW - 429 WIRE WRAP 0.429 POST LENGTH

1. Wire length 36" with a 1" strip length, 12" & 36" standard, blue solid conductor Kynar wire
Dimensions are in inches (mm) | All specifications are subject to change

► R-075 SERIES

0.075 (1.91) Centers

For ICT-075/S-075 Series Probes see pg. 15
 For ICT-075 Lead Free Series Probes see pg. 16
 For S-075 Rotator Series Probes see pg. 17
 For ICT-L075 Series Probes see pg. 18



PROBE SPECIFICATIONS

Minimum Centers	0.075 (1.91)
Drill Size	1.45 mm
Mounting Hole Size	0.055/0.057 (1.40/1.45)
Recommended Wire	24-28 gage
Materials	Nickel/silver, gold plated, gold plated post

TOOLS

Crimping Pliers	CP-1 (for 24-28 gage solid conductor)
Insertion Tool	RT-1

PART NUMBER	STYLE	RECEPTACLE LENGTH	PROBE/RECEPTACLE COMBINED LENGTH		NOTES
			ICT-075/S-075	ICT-L075	
R-075-CR	Crimp	1.170 (29.72)	1.500 (38.10)	1.650 (41.91)	—
R-075-SC	Solder Cup	1.170 (29.72)	1.500 (38.10)	1.650 (41.91)	—
R-075-RP	Round Post	1.545 (39.24)	1.875 (47.63)	2.025 (51.44)	0.375 post length – 0.025 dia.
R-075-WW-429	Wire Wrap	1.599 (40.61)	1.929 (49.00)	2.079 (52.81)	0.429 post length – 0.025 dia.

HOW TO ORDER

R - 075 - WW - 429

1 2 3


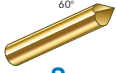
1 ► SERIES	R
2 ► SIZE	075
3 ► TERMINATION	CR CRIMP SC SOLDER CUP
	RP ROUND POST WW - 429 WIRE WRAP 0.429 POST LENGTH

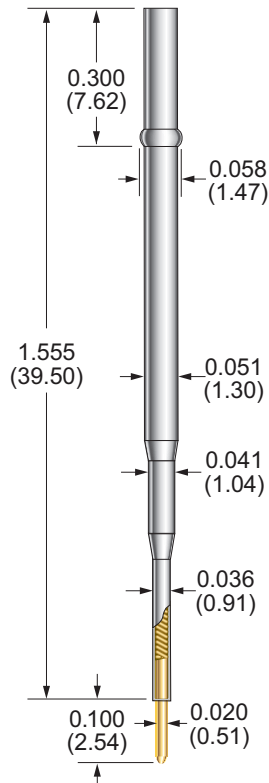
1. Wire length 36" with a 1" strip length, 12" & 36" standard, blue solid conductor Kynar wire
 Dimensions are in inches (mm) | All specifications are subject to change

► **R-075-J-DE SERIES**

0.075 (1.91) Centers | Wireless Receptacle

For ICT-075/S-075 Series Probes see pg. 15
 For ICT-075 Lead Free Series Probes see pg. 16
 For ICT-L075 Series Probes see pg.18

BECU TIPS	DIAMETER
 J	0.020 (0.51)
 S	0.020 (0.51)



PROBE SPECIFICATIONS

Minimum Centers	0.075 (1.91)
Drill Size	1.45 mm
Mounting Hole	0.055/0.057 (1.40/1.45)
Spring Force	2.70 oz (77 g) @ 0.070 (1.77) travel
Maximum Travel	0.100 (2.54)
Working Travel	0.070 (1.77)

MATERIALS

Receptacle	Nickel/silver, gold lined inside
Spring	Music wire, gold plated
Plunger	Beryllium copper, gold plated over nickel

TOOLS

Insertion Tool	RT-1
----------------	------

HOW TO ORDER

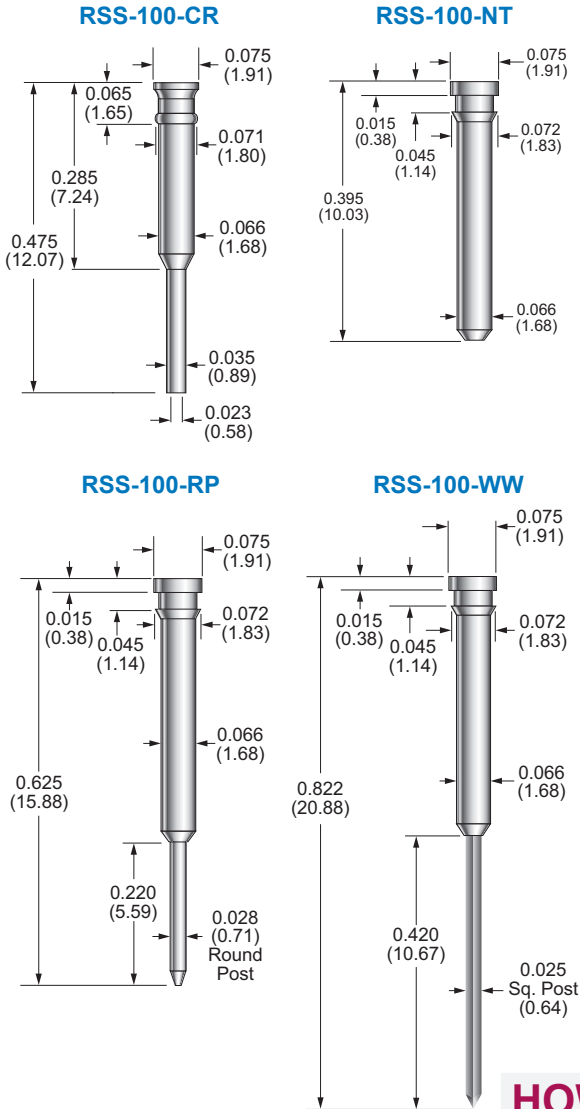
R - 075 - J - DE
 1 2 3 4

1 ► SERIES	R
2 ► SIZE	075
3 ► TIP STYLE	J, S
4 ► TERMINATION	DE DOUBLE-ENDED

► RSS-100 SERIES

0.100 (2.54) Centers

For SS/GSS Series Probes see pg. 19



PROBE SPECIFICATIONS

Minimum Centers	0.100 (2.54)
Drill Size	#50
Mounting Hole Size	0.068/0.070 (1.73/1.78)
Recommended Wire	28-30 gage
Materials	Nickel/silver

TOOLS

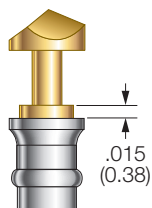
Crimping Pliers	CP-SS-100 (for 28-30 gage solid conductor)
Insertion Tool	RT-SS-100

PART NUMBER	STYLE	RECEPTACLE LENGTH	PROBE/RECEPTACLE COMBINED LENGTH	NOTES
RSS-100-CR	Crimp	0.475 (12.07)	0.550 (13.97) ⁽¹⁾	—
RSS-100-NT	No Tail	0.402 (10.21)	0.462 (11.73) ⁽¹⁾	—
RSS-100-RP	Round Post	0.625 (15.88)	0.685 (17.40) ⁽¹⁾	0.220 post length – 0.028 dia.
RSS-100-WW	Wire Wrap	0.822 (20.88)	0.882 (22.40) ⁽¹⁾	0.420 post length – 0.025 dia.
RSS-100-PW-12-1	Preattached Wire ⁽²⁾	0.475 (12.07)	0.550 (13.97) ⁽¹⁾	12" wire length, 1" strip length
RSS-100-PW-36-1	Preattached Wire ⁽²⁾	0.475 (12.07)	0.550 (13.97) ⁽¹⁾	36" wire length, 1" strip length

TIP	HEAD LENGTH	TIP	HEAD LENGTH
1	0.040 (1.02)	10	0.028 (0.71)
2	0.028 (0.71)	11	0.040 (1.02)
3	0.028 (0.71)	18	0.060 (1.52)
4	0.040 (1.02)	19	0.055 (1.40)
5	0.080 (2.03)		

PROBE EXTENSION

See chart for head length



HOW TO ORDER

RSS - 100 - WW - G				
1	2	3	4	
1 ► SERIES	RSS			
2 ► SIZE	100			
3 ► TERMINATION	CR	CRIMP	NT	NO TAIL
	RP	ROUND POST	WW	WIRE WRAP
	PW - 12 - 1	PREATTACHED WIRE 12 IN., 1 IN. STRIP LENGTH ⁽¹⁾		
	PW - 36 - 1	PREATTACHED WIRE 36 IN., 1 IN. STRIP LENGTH ⁽¹⁾		
4 ► PLATING OPTION	G GOLD			

1. Plus head length per tip style – see chart
 2. Wire length 36" with a 1" strip length, 12" & 36" standard, blue solid conductor Kynar wire
 Dimensions are in inches (mm) | All specifications are subject to change

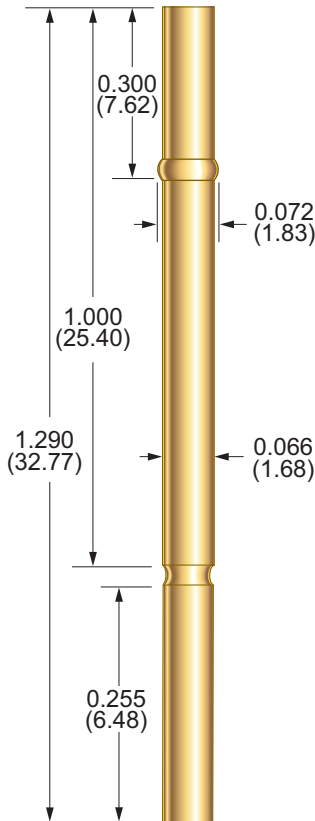
► **R-100/SS SERIES**

0.100 (2.54) Centers

For ICT-L100 Series Probes see pg. 18 (for top end of receptacle)

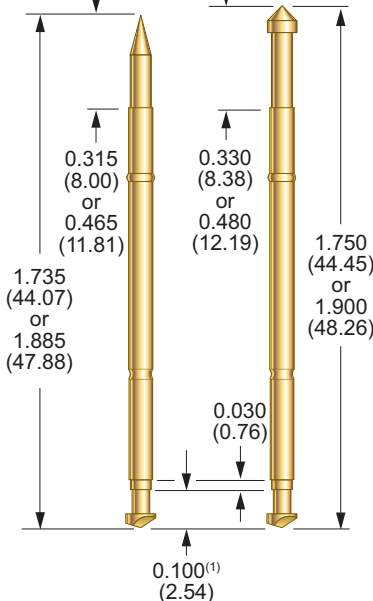
For SS/GSS Series Probes see pg. 19 (for bottom end of receptacle)

For ICT-100/S-100 Series Probes see pg. 21 (for top end of receptacle)



HEADLESS PLUNGER

HEADED PLUNGER



PROBE SPECIFICATIONS

Minimum Centers	0.100 (2.54)
Drill Size	#50
Mounting Hole Size	0.068/0.070 (1.73/1.78)
Materials	Nickel/silver, gold plated

TOOLS

Insertion Tool	RT-100
-----------------------	--------

HOW TO ORDER

R - 100 / SS	
1	
1 ► SERIES	R - 100 / SS

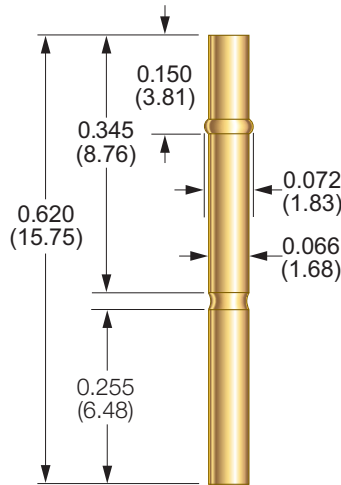
1. For plunger with 0.040 (1.02) tip length
2. Headed plunger only this end

Dimensions are in inches (mm) | All specifications are subject to change

► R-SS/SS SERIES

0.100 (2.54) Centers

For SS/GSS Series Probes see pg. 19
(Receptacle houses an SS-100 or GSS-100 on each end)



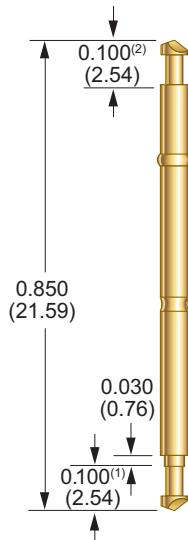
PROBE SPECIFICATIONS

Minimum Centers	0.100 (2.54)
Drill Size	#50
Mounting Hole Size	0.068/0.070 (1.73/1.78)
Materials	Nickel/silver, gold plated

TOOLS

Insertion Tool	RT-100
----------------	--------

HEADED PLUNGER



HOW TO ORDER

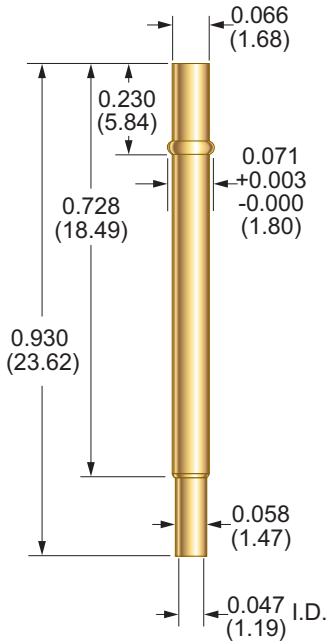
	R - SS / SS
	1
1 ► SERIES	R - SS / SS

1. For plunger with 0.040 (1.02) tip length
2. Headed plunger only this end
Dimensions are in inches (mm) | All specifications are subject to change

► **R-2 SERIES**

0.100 (2.54) Centers

For S-2 Series Probes see pg. 20



PROBE SPECIFICATIONS

Minimum Centers	0.100 (2.54)
Drill Size	#50
Mounting Hole Size	0.068/0.070 (1.73/1.78)
Recommended Wire	22-26 gage
Materials	Nickel/silver, gold plated, gold plated post

TOOLS

Crimping Pliers	CP-2 (for 22-26 gage solid conductor)
Insertion Tool	RT-100

PART NUMBER	STYLE	RECEPTACLE LENGTH	PROBE/RECEPTACLE COMBINED LENGTH	NOTES
R-2-CR	Crimp	0.930 (23.62)	1.170 (29.72)	—
R-2-SC	Solder Cup	0.930 (23.62)	1.170 (29.72)	—
R-2-RP	Round Post	1.305 (31.15)	1.545 (39.24)	0.375 post length – 0.025 dia.
R-2-WW-429	Wire Wrap	1.359 (34.52)	1.599 (40.61)	0.429 post length – 0.025 dia.

HOW TO ORDER

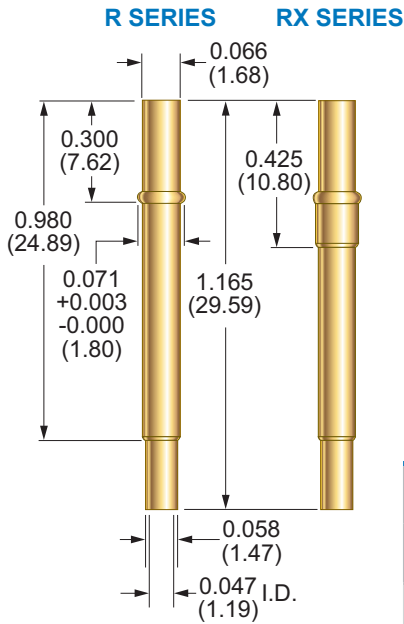
R - 2 - WW - 429
 1 2 3

1 ► SERIES	R
2 ► SIZE	2
3 ► TERMINATION	CR CRIMP SC SOLDER CUP
	RP ROUND POST WW - 429 WIRE WRAP 0.429 POST LENGTH

► R-100 SERIES

0.100 (2.54) Centers

For ICT-100/S-100 Series Probes see pg. 21
 For ICT-100 Lead Free Series Probes see pg. 22
 For S-100 Rotator Series Probes see pg. 23
 For ICT-L100 Series Probes see pg. 24



PROBE SPECIFICATIONS

Minimum Centers	0.100 (2.54)
Drill Size	#50
Mounting Hole Size	0.068/0.070 (1.73/1.78)
Recommended Wire	22-26 gage
Materials	Nickel/silver, gold plated, gold plated post

TOOLS

Crimping Pliers	CP-2 (for 22-26 gage solid conductor)
Insertion Tool	RT-100

PART NUMBER	STYLE	RECEPTACLE LENGTH	PROBE/RECEPTACLE COMBINED LENGTH		NOTES
			ICT-100/S-100	ICT-L100	
R-100-CR	Crimp	1.165 (29.59)	1.495 (37.97)	1.645 (41.78)	—
R-100-SC	Solder Cup	1.165 (29.59)	1.495 (37.97)	1.645 (41.78)	—
R-100-RP	Round Post	1.540 (39.12)	1.870 (47.50)	2.020 (51.31)	0.375 post length – 0.025 dia.
R-100-WW-429	Wire Wrap	1.594 (40.49)	1.924 (48.87)	2.074 (52.68)	0.429 post length – 0.025 dia.

HOW TO ORDER


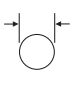
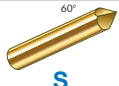

R - 100 - WW - 429	
1 2 3	
1 ► SERIES	R RX ⁽¹⁾
2 ► SIZE	100
3 ► TERMINATION	CR CRIMP SC SOLDER CUP
	RP ROUND POST WW - 429 WIRE WRAP 0.429 POST LENGTH

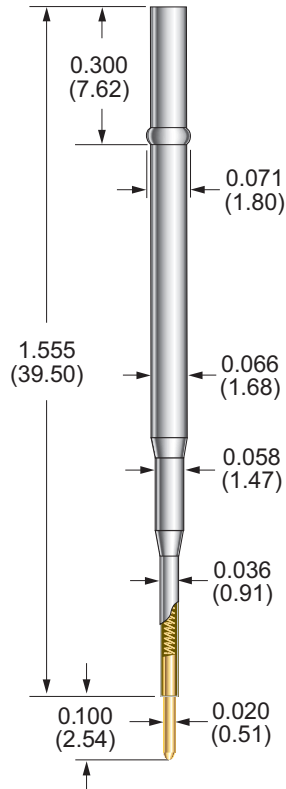
1. Improved pointing accuracy
 Dimensions are in inches (mm) | All specifications are subject to change

► **R-100-J-DE SERIES**

0.100 (2.54) Centers | Wireless Receptacle

For ICT-100/S-100 Series Probes see pg. 21
 For ICT-100 Lead Free Series Probes see pg. 22
 For ICT-L100 Series Probes see pg. 24

BECU TIPS	DIAMETER
 J	0.020 (0.51) 
 S	0.020 (0.51) 



PROBE SPECIFICATIONS

Minimum Centers	0.100 (2.54)
Drill Size	#50
Mounting Hole	0.068/0.070 (1.73/1.78)
Spring Force	2.70 oz (77 g) @ 0.070 (1.77) travel
Maximum Travel	0.100 (2.54)
Working Travel	0.070 (1.77)

MATERIALS

Receptacle	Nickel/silver, gold lined inside
Spring	Music wire, gold plated
Plunger	Beryllium copper, gold plated over nickel

TOOLS

Insertion Tool	RT-100
----------------	--------

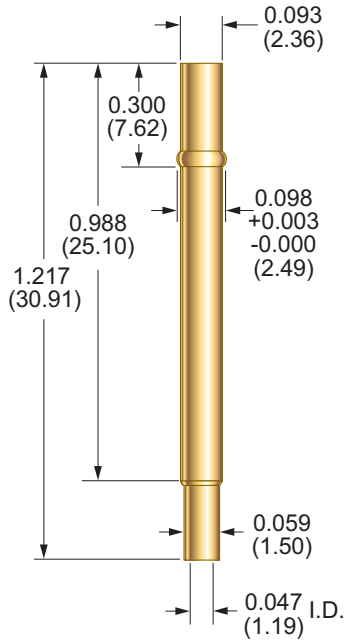
HOW TO ORDER

R - 100 - J - DE	
	1 2 3 4
1 ► SERIES	R
2 ► SIZE	100
3 ► TIP STYLE	J, S
4 ► TERMINATION	DE DOUBLE-ENDED

▶ R-3 SERIES

0.125 (3.18) Centers

For S-3 Series Probes see pg. 25



PROBE SPECIFICATIONS

Minimum Centers	0.125 (3.18)
Drill Size	#41
Mounting Hole Size	0.094/0.096 (2.39/2.44)
Recommended Wire	22-26 gage
Materials	Nickel/silver, gold plated, gold plated post

TOOLS

Crimping Pliers	CP-3 (for 22-26 gage solid conductor)
Insertion Tool	RF-3

PART NUMBER	STYLE	RECEPTACLE LENGTH	PROBE/RECEPTACLE COMBINED LENGTH	NOTES
R-3-CR	Crimp	1.217 (30.91)	1.539 (39.09)	—
R-3-SC	Solder Cup	1.217 (30.91)	1.539 (39.09)	—
R-3-WW-429	Wire Wrap	1.646 (41.81)	1.968 (49.99)	0.429 post length – 0.025 sq.

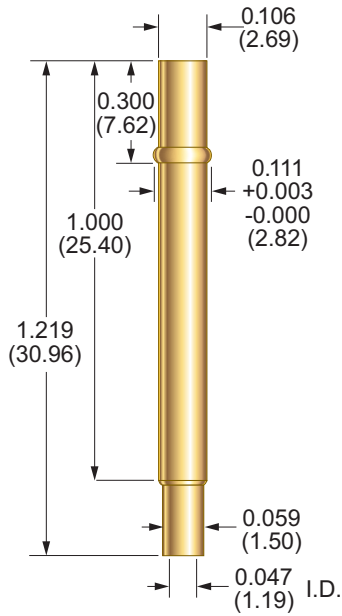
HOW TO ORDER

R - 3 - WW - 4 2 9	
1 2 3	
1 ▶ SERIES	R
2 ▶ SIZE	3
3 ▶ TERMINATION	CR CRIMP SC SOLDER CUP
	WW - 4 2 9 WIRE WRAP 0.429 POST LENGTH

► **R-4 SERIES**

0.156 (3.96) – 0.187 (4.75) Centers

For S-4 Series Probes see pg. 26



PROBE SPECIFICATIONS

Minimum Centers	0.156 (3.96) (tips: B, C, D, G, J, K) or 0.187 (4.75) (tips: A, E, F, H)
Drill Size	#35
Mounting Hole Size	0.108/0.110 (2.74/2.79)
Recommended Wire	22-26 gage
Materials	Nickel/silver, gold plated, gold plated post

TOOLS

Crimping Pliers	CP-4 (for 22-26 gage solid conductor)
Insertion Tool	RF-4

PART NUMBER	STYLE	RECEPTACLE LENGTH	PROBE/RECEPTACLE COMBINED LENGTH	NOTES
R-4-CR	Crimp	1.219 (30.96)	1.549 (39.34)	—
R-4-SC	Solder Cup	1.219 (30.96)	1.549 (39.34)	—
R-4-WW-429	Wire Wrap	1.648 (41.86)	1.978 (50.24)	0.429 post length – 0.025 sq.

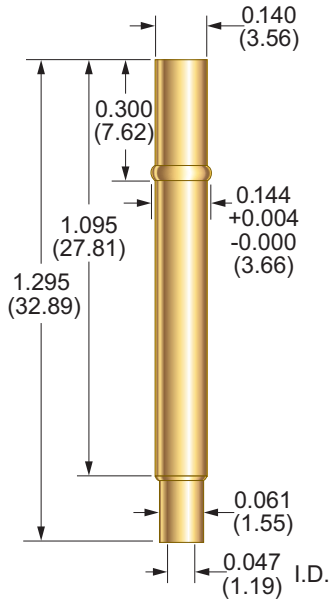
HOW TO ORDER

	R - 4 - WW - 4 2 9
	1 2 3
1 ► SERIES	R
2 ► SIZE	4
3 ► TERMINATION	CR CRIMP SC SOLDER CUP
	WW - 4 2 9 WIRE WRAP 0.429 POST LENGTH

► R-5 SERIES

0.187 (4.75) – 0.300 (7.62) Centers

For S-5 Series Probes see pg. 27



PROBE SPECIFICATIONS

Minimum Centers	0.187 (4.75) or 0.300 (7.62) (<i>tip: HLF</i>)
Drill Size	3.60 mm
Mounting Hole Size	0.141/0.143 (3.58/3.63)
Recommended Wire	22-26 gage
Materials	Nickel/silver, gold plated, gold plated post

TOOLS

Crimping Pliers	CP-5 (<i>for 22-26 gage solid conductor</i>)
Insertion Tool	RF-5

PART NUMBER	STYLE	RECEPTACLE LENGTH	PROBE/RECEPTACLE COMBINED LENGTH	NOTES
R-5-CR	Crimp	1.295 (32.89)	1.620 (41.15)	—
R-5-SC	Solder Cup	1.295 (32.89)	1.620 (41.15)	—
R-5-WW-429	Wire Wrap	1.724 (43.79)	2.049 (52.04)	0.429 post length – 0.025 sq.

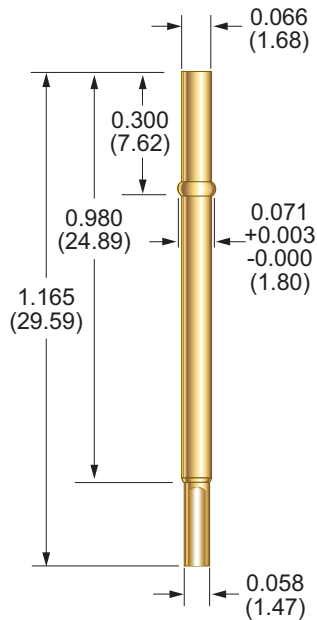
HOW TO ORDER

R - 5 - WW - 4 2 9	
1 2 3	
1 ► SERIES	R
2 ► SIZE	5
3 ► TERMINATION	CR CRIMP SC SOLDER CUP
	WW - 4 2 9 WIRE WRAP 0.429 POST LENGTH

► **RH-100 SERIES**

0.100 (2.54) Centers

For SH-100/SHE-100 Series Probes see pg. 35



PROBE SPECIFICATIONS

Minimum Centers	0.100 (2.54)
Drill Size	#50
Mounting Hole Size	0.068/0.070 (1.73/1.78)
Recommended Wire	22-26 gage
Materials	Copper alloy, gold plated

TOOLS

Insertion Tool	RT-100
-----------------------	--------

PART NUMBER	STYLE	RECEPTACLE LENGTH	PROBE/RECEPTACLE COMBINED LENGTH	NOTES
RH-100-SC	Solder Cup	1.165 (29.59)	1.495 (37.97)	—
RH-100-WW-429	Wire Wrap	1.594 (40.49)	1.924 (48.87)	0.429 post length – 0.025 sq.

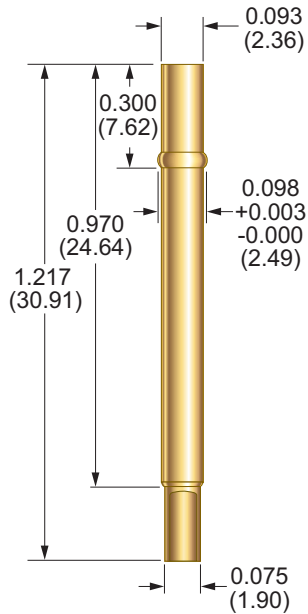
HOW TO ORDER

RH - 100 - WW - 429 <small>1 2 3</small>	
1 ► SERIES	RH
2 ► SIZE	100
3 ► TERMINATION	SC CRIMP WW - 429 WIRE WRAP 0.429 POST LENGTH

▶ RH-3 SERIES

0.125 (3.18) Centers

For SH-3/SHE-3 Series Probes see pg. 36



PROBE SPECIFICATIONS

Minimum Centers	0.125 (3.18)
Drill Size	#41
Mounting Hole Size	0.094/0.096 (2.39/2.44)
Recommended Wire	16 gage max.
Materials	Copper alloy, gold plated

TOOLS

Insertion Tool	RT-3
----------------	------

PART NUMBER	STYLE	RECEPTACLE LENGTH	PROBE/RECEPTACLE COMBINED LENGTH
RH-3-SC	Solder Cup	1.217 (30.91)	1.539 (39.09)

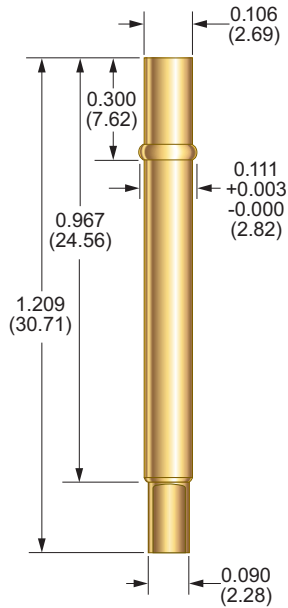
HOW TO ORDER

RH - 3 - SC <small>1 2 3</small>	
1 ▶ SERIES	RH
2 ▶ SIZE	3
3 ▶ TERMINATION	SC SOLDER CUP

► **RH-4 SERIES**

0.156 (3.96) – 0.187 (4.75) Centers

For SH-4/SHE-4 Series Probes see pg. 37



PROBE SPECIFICATIONS

Minimum Centers	0.156 (3.96) (tips: B, K) or 0.187 (4.75) (tips: A, F, H)
Drill Size	#35
Mounting Hole Size	0.108/0.110 (2.74/2.79)
Recommended Wire	16 gage max.
Materials	Copper alloy, gold plated

TOOLS

Insertion Tool	RT-4
-----------------------	------

PART NUMBER	STYLE	RECEPTACLE LENGTH	PROBE/RECEPTACLE COMBINED LENGTH
RH-4-SC	Solder Cup	1.209 (30.71)	1.539 (39.09)

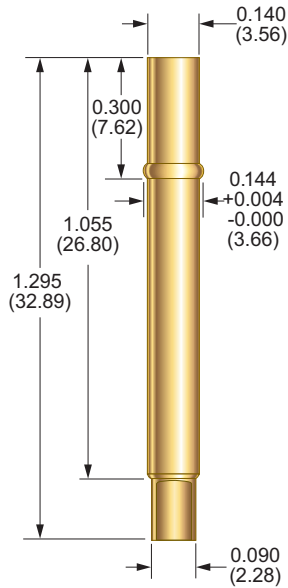
HOW TO ORDER

RH - 4 - SC <small>1 2 3</small>	
1 ► SERIES	RH
2 ► SIZE	4
3 ► TERMINATION	SC SOLDER CUP

▶ RH-5 SERIES

0.187 (4.75) Centers

For SH-5/SHE-5 Series Probes see pg. 38



PROBE SPECIFICATIONS

Minimum Centers	0.187 (4.75)
Drill Size	3.60 mm
Mounting Hole Size	0.141/0.143 (3.58/3.63)
Recommended Wire	16 gage max.
Materials	Copper alloy, gold plated

TOOLS

Insertion Tool	RT-5
----------------	------

PART NUMBER	STYLE	RECEPTACLE LENGTH	PROBE/RECEPTACLE COMBINED LENGTH
RH-5-SC	Solder Cup	1.295 (32.89)	1.620 (41.15)

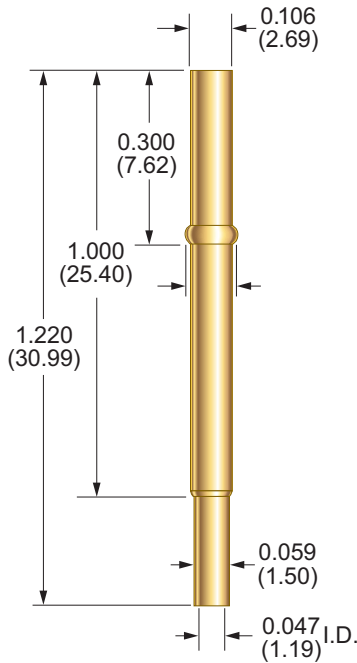
HOW TO ORDER

RH - 5 - SC <small>1 2 3</small>	
1 ▶ SERIES	RH
2 ▶ SIZE	5
3 ▶ TERMINATION	SC SOLDER CUP

► **R-4-CR SERIES**

0.156 (3.96) Centers

For Size 4 Switch Probes see pg. 40



PROBE SPECIFICATIONS

Minimum Centers	0.156 (3.96)
Drill Size	#35
Mounting Hole Size	0.108/0.110 (2.74/2.79)
Materials	Nickel/silver, gold plated

TOOLS

Insertion Tool	RT-4
----------------	------

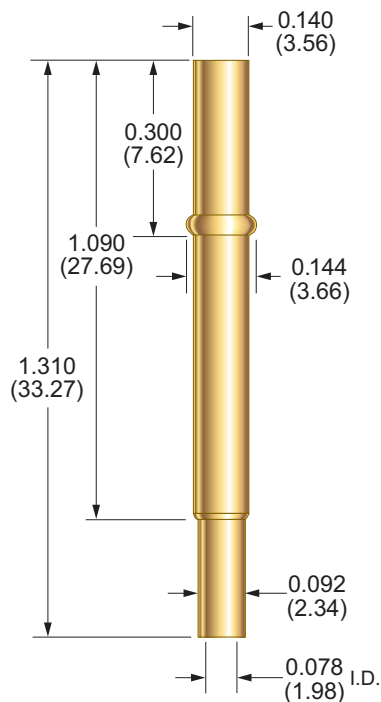
HOW TO ORDER

		R - 4 - CR
		1 2 3
1 ► SERIES		R
2 ► SIZE		4
3 ► TERMINATION		CR CRIMP

► R-5-SW SERIES

0.187 (4.75) Centers

For Size 5 Switch Probes see pg. 41



PROBE SPECIFICATIONS

Minimum Centers	0.187 (4.75)
Drill Size	3.60 mm
Mounting Hole Size	0.141/0.143 (3.58/3.63)
Materials	Nickel/silver, gold plated

TOOLS

Insertion Tool	RT-5
----------------	------

HOW TO ORDER

		R - 5 - SW
		1 2 3
1 ► SERIES		R
2 ► SIZE		5
3 ► TERMINATION		SW SWITCH

SMITHS CONNECTORS GLOBAL SUPPORT

AMERICAS

Costa Mesa, CA
Hudson, MA
Kansas City, KS

1.714.371.1100
1.978.568.0451
1.913.342.5544

customerservice@sabritec.com
info@hypertronics.com
info@idinet.com

EUROPE

France
Germany
Italy
United Kingdom

33.2.3296.9176
49.991.250.120
39.10.60361
44.20.8450.8033

info@hypertac.fr
info@hypertac.de
info@hypertac.it
info@hypertac.co.uk

ASIA

Bangalore, India
Shanghai, China
Singapore
Suzhou, China

91.80.2535.7351/52
86.21.3318.4650
65.6846.1655
86.512.6273.1188

info@hypertac.fr
asiacrs@smithsconnectors.com
asiacrs@smithsconnectors.com
asiacrs@smithsconnectors.com

visit us at | smithsconnectors.com |     

Copyright© 2015 Smiths Connectors | All rights reserved | Version 1.5