

new

UTOW

Dynamic IP68 / IP69K
High salt spray resistance
RoHS compliant



High density Metal circular connector

Description

"UTOW" industrial circular connectors are a range of multi way connectors available in 8 shell sizes and 8 high density insert arrangements.

"UTOW" wall mounting receptacle connectors have the same panel cut-out dimensions as the MIL-C-26482 series I specifications.

Strong and rugged built to resist every environmental and mechanical requirement for indoor and outdoor applications.

Amongst several characteristics, "UTOW" offers possibilities on: Shielding, high levels on sealing and salt spray.

Features and benefits (see p2)

- Suitable for EMC requirements.
- Available in 8 shell sizes and 8 insert arrangements.
- Available in plug and receptacle version for both male and female contacts.
- Different insert orientations possible
- Plastic inserts with flammability rating: UL94-V0.
- **2 levels of water protection:** Dynamic IP67 and IP68 both versions are IP69K
- **2 levels of salt spray:** 48h and 96h Higher salt spray resistance (200/500h) upon request
- Higher salt spray (200/500h) upon request.
- UL recognition in process.
- Metal bayonet ring:
 - Metal wave spring loaded
 - Locks with audible positive "click"
 - Assures 500 matings and unmatings
- RoHS compliant



Performance characteristics

Operating temperature:	-40°C to +105°C
Insulation resistance:	5000 MΩ min.
Test potential:	1500 VAC
Durability:	500 matings and unmatings.
Vibration resistance:	Per MIL-STD202 method 204
Thermal shock:	Per MIL-STD202 method 207
Corrosion:	Salt spray per MIL-STD 202 method 101 48h (standard version) 96h (black anodised coupling ring)
Higher salt spray resistance (200/500h) upon request	
Shielding effectiveness: 65 dB at 10 Mhz	
Degree of water protection per DIN 40050: Dynamic IP67 / IP68 / IP69K in mated condition and in combination with sealed back shell	

Construction

Shells and accessories:	Zinc alloy
Coupling ring:	Aluminium alloy
Coupling spring:	Spring stainless steel
Insert:	Glass-filled thermoplast UL94-V0
Finish:	Nickel plated
RoHS compliant	

Contact accommodation

- "UTOW" connectors accept TRIM TRIO size 20 crimp-type removable snap-lock contacts (see contacts section)
- Contacts to be ordered separately

How to order

Connector family:	UTOW	0	16	26	P	-	H or H6	--	-
	UTOW	6	16	26	S	-	H	--	-
Body variation :	0 : Wall mounting receptacle								
	6 : Cable plug								
	7 : Jam nut receptacle for rear panel mounting								
Shell size :									
Insert arrangement :									
Type of contacts :	P : Pin contacts								
	S : Socket contacts								
Insert polarisation :	No letter : Standard version								
	W, X, Y, Z : Different orientations (consult factory)								
Application :	H : Standard version, water protection IP 67 & IP 69K								
	H6 : Water protected IP 68 & IP 69K (only needed for wall mounting & jam nut receptacles)								
Design variation :	No letter : Standard version								
	Others : Special versions								
Plating :	No letter : standard is nickel plating (48h salt spray)								
	01 : Black anodised, jam nut (96h salt spray)								
	02 : Black anodised coupling ring (96h salt spray)								

New UTO-UTOW series



New UTO – UTOW series:

- The exclusive new product range in the TRIM TRIO broadline.
- Aesthetic and top class performances

UTO – UTOW series major technical features & benefits

• Full metal bayonet connector

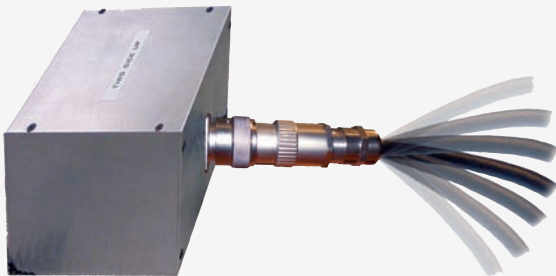
- Enabling 500 mating-unmating without wear out
- Secure locking device: audible “click” when mating



• Dynamic IP68*

Connector will remain IP68 even when:

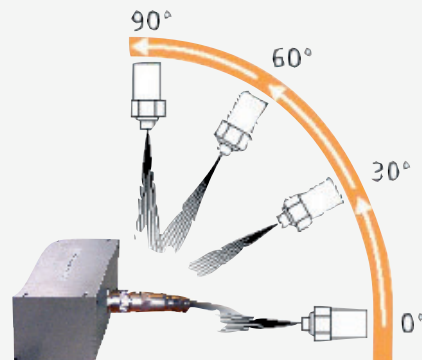
- Pulling on the cable
- Bending the cable



- * With appropriate back shell
- * Exists also in IP67 version

• Dynamic IP69K*

Connector withstands high pressure water cleaning.



- * With appropriate back shell

• High salt spray resistance*

- Can be used in severe environment

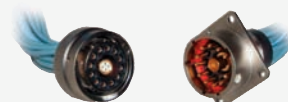
- * Exists in 48 and 96 hours salt spray version
- * Higher salt spray resistance (e.g. 200 or 500 hours) upon request

• RoHS compliant

- Cadmium and lead free materials are used

• In accordance with following standards

- UTO is Ethernet Cat5e compatible (consult factory)
- UTO-UTOW ranges are upgradeable to highspeed solutions

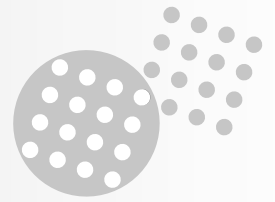


For detailed information on UTO and UTOW series offering see pages 21 to 31

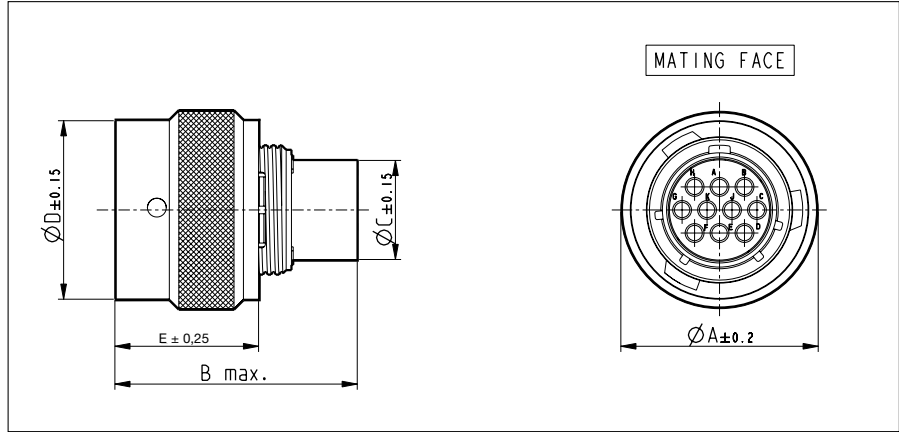
new

UTOW

Dynamic IP68 / IP69K
High salt spray resistance
RoHS compliant



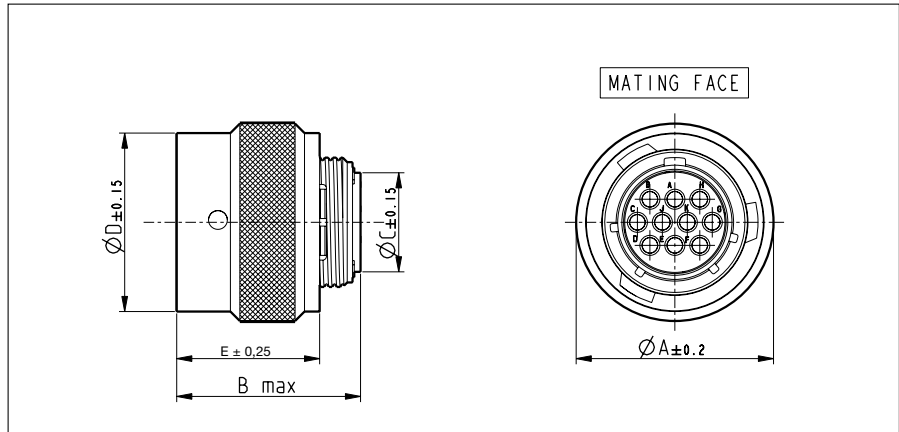
Cable plug for pin contacts (UTOW6---PH)



Part number	Shell size	$\varnothing A \pm 0.2$	B max.	$\varnothing C \pm 0.15$	$\varnothing D \pm 0.15$	$E \pm 0.25$
UTOW6106PH	10	21.80	33.00	10.2	20.00	19.00
UTOW61210PH	12	26.10		13.4	23.60	
UTOW61419PH	14	29.30		16.7	26.80	
UTOW61626PH	16	32.45		19.7	30.00	
UTOW61832PH	18	35.25		21.7	33.30	
UTOW62041PH	20	38.80		24.9	36.55	
UTOW62255PH	22	42.00		28.1	39.50	
UTOW62461PH	24	45.05		31.2	42.60	

Part numbers are suitable for both IP67 and IP68 water protection
For 96h salt spray version add "02" behind "H" e.g. UTOW61419PH02 (only bayonet ring will be black anodised)

Cable plug for socket contacts (UTOW6---SH)



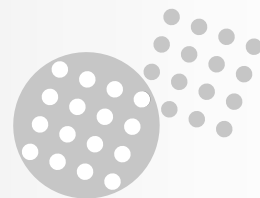
Part number	Shell size	$\varnothing A \pm 0.2$	B max.	$\varnothing C \pm 0.15$	$\varnothing D \pm 0.15$	$E \pm 0.25$
UTOW6106SH	10	21.80	25.30	10.2	20.00	19.00
UTOW61210SH	12	26.10		13.4	23.60	
UTOW61419SH	14	29.30		16.7	26.80	
UTOW61626SH	16	32.45		19.7	30.00	
UTOW61832SH	18	35.25	27.30	21.7	33.30	
UTOW62041SH	20	38.80		24.9	36.55	
UTOW62255SH	22	42.00		28.1	39.50	
UTOW62461SH	24	45.05		31.2	42.60	

Part numbers are suitable for both IP67 and IP68 water protection
For 96h salt spray version add "02" behind "H" e.g. UTOW61419SH02 (only bayonet ring will be black anodised)

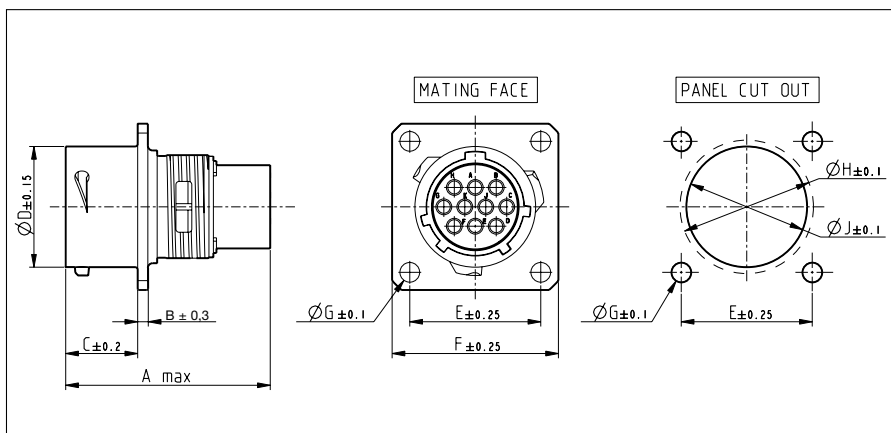
new

UTOW

Dynamic IP68 / IP69K
High salt spray resistance
RoHS compliant



Wall mounting receptacle for pin contacts (UTOW0---PH/PH6)

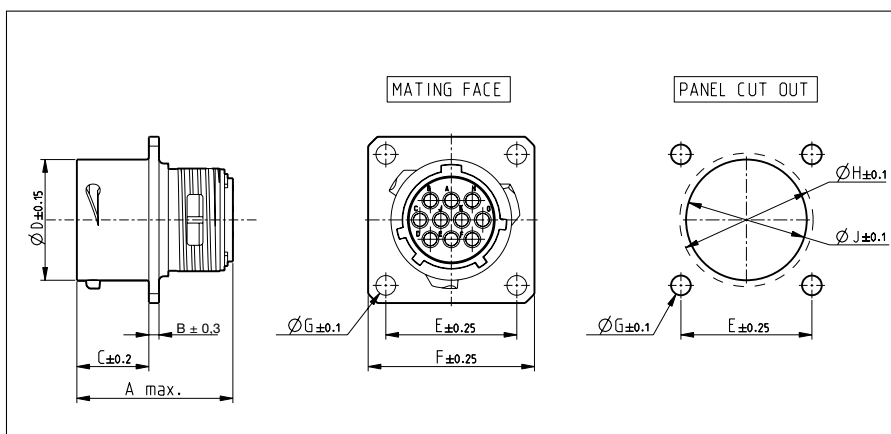


Part number		Shell size	A max.	B ± 0.3	C ± 0.2	Ø D ± 0.15	E ± 0.25	F ± 0.25	Ø G ± 0.1	Ø H ± 0.1	Ø J ± 0.1	
IP67	IP68											
UTOW0106PH	UTOW0106PH6	10	33.23	1.6	11.35	15.0	18.3	23.8	3.2	17.3	14.2	
UTOW01210PH	UTOW01210PH6	12				19.0	20.6	26.2		21.8	18.4	
UTOW01419PH	UTOW01419PH6	14				22.2	23.0	28.6		25.0	21.5	
UTOW01626PH	UTOW01626PH6	16				25.3	24.6	31.0		28.1	24.6	
UTOW01832PH	UTOW01832PH6	18				28.5	26.9	33.3		31.3	27.8	
UTOW02041PH	UTOW02041PH6	20	34.75	2.4	14.55	31.7	29.4	36.5	3.9	34.5	30.9	
UTOW02255PH	UTOW02255PH6	22				34.9	31.8	39.7		37.7	34.1	
UTOW02461PH	UTOW02461PH6	24				15.35	38.0	34.9		42.9	40.9	37.3

Part numbers are suitable for both 48hrs and 96h salt spray.

A square sealing has to be ordered separately to guarantee a sealing with equipment. Refer to "Circular accessories" section (UTFD--).

Wall mounting receptacle for socket contacts (UTOW0---SH/SH6)



Part number		Shell size	A max.	B ± 0.3	C ± 0.2	Ø D ± 0.15	E ± 0.25	F ± 0.25	Ø G ± 0.1	Ø H ± 0.1	Ø J ± 0.1	
IP67	IP68											
UTOW0106SH	UTOW0106SH6	10	25.20	1.6	11.35	15.0	18.3	23.8	3.2	17.3	14.2	
UTOW01210SH	UTOW01210SH6	12				19.0	20.6	26.2		21.8	18.4	
UTOW01419SH	UTOW01419SH6	14				22.2	23.0	28.6		25.0	21.5	
UTOW01626SH	UTOW01626SH6	16				25.3	24.6	31.0		28.1	24.6	
UTOW01832SH	UTOW01832SH6	18				28.5	26.9	33.3		31.3	27.8	
UTOW02041SH	UTOW02041SH6	20	29.00	2.4	14.55	31.7	29.4	36.5	3.9	34.5	30.9	
UTOW02255SH	UTOW02255SH6	22				34.9	31.8	39.7		37.7	34.1	
UTOW02461SH	UTOW02461SH6	24				15.35	38.0	34.9		42.9	40.9	37.3

Part numbers are suitable for both 48hrs and 96h salt spray.

A square sealing has to be ordered separately to guarantee a sealing with equipment. Refer to "Circular accessories" section (UTFD--).

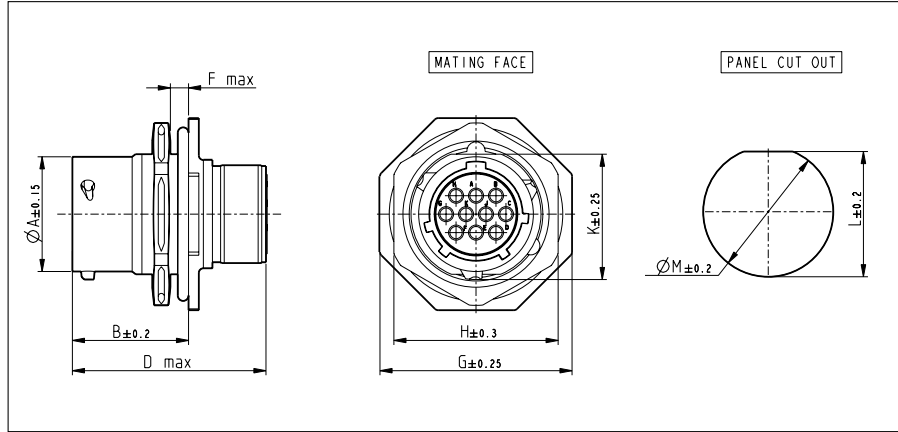
new

UTOW

Dynamic IP68 / IP69K
High salt spray resistance
RoHS compliant



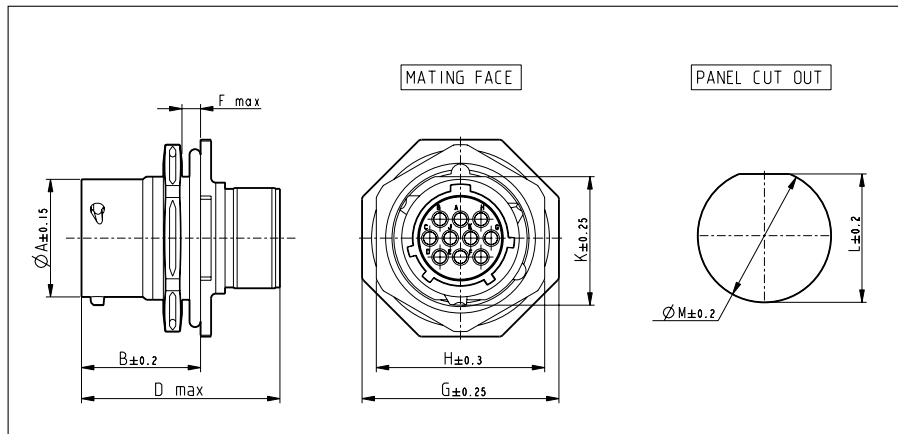
Jam nut receptacle for pin contacts (UTOW7---PH/PH6) - suitable for rear panel mounting



Part number		Shell size	Ø A ± 0.15	B ± 0.2	D Max.	F Max.	G ± 0.25	H ± 0.3	K ± 0.2	L ± 0.2	Ø M ± 0.2
IP67	IP68										
UTOW7106PH	UTOW7106PH6	10	14.9	19.30	33.90	3.2	27.0	22.2	16.6	17.0	17.7
UTOW71210PH	UTOW71210PH6	12	19.0				31.8	27.0	20.8	21.2	22.5
UTOW71419PH	UTOW71419PH6	14	22.2				34.9	30.2	23.9	24.3	25.7
UTOW71626PH	UTOW71626PH6	16	25.3				38.1	33.3	27.1	27.5	28.7
UTOW71832PH	UTOW71832PH6	18	28.5				41.3	36.5	30.3	30.6	32.0
UTOW72041PH	UTOW72041PH6	20	31.7	24.70	39.00	6.4	46.1	39.7	33.4	33.8	35.2
UTOW72255PH	UTOW72255PH6	22	34.9				49.2	42.9	36.6	37.0	38.4
UTOW72461PH	UTOW72461PH6	24	38.0				53.4	46.0	39.8	40.1	41.5

For 96h salt spray version add "01" at the end of the part number e.g. UTOW71419PH601 (only jam nut will be black anodised)

Jam nut receptacle for socket contacts (UTOW7---SH/SH6) - suitable for rear panel mounting



Part number		Shell size	Ø A ± 0.15	B ± 0.2	D Max.	F Max.	G ± 0.25	H ± 0.3	K ± 0.2	L ± 0.2	Ø M ± 0.2
IP67	IP68										
UTOW7106SH	UTOW7106SH6	10	14.9	19.30	33.00	3.2	27.0	22.2	16.6	17.0	17.7
UTOW71210SH	UTOW71210SH6	12	19.0				31.8	27.0	20.8	21.2	22.5
UTOW71419SH	UTOW71419SH6	14	22.2				34.9	30.2	23.9	24.3	25.7
UTOW71626SH	UTOW71626SH6	16	25.3				38.1	33.3	27.1	27.5	28.7
UTOW71832SH	UTOW71832SH6	18	28.5				41.3	36.5	30.3	30.6	32.0
UTOW72041SH	UTOW72041SH6	20	31.7	24.70	39.00	6.4	46.1	39.7	33.4	33.8	35.2
UTOW72255SH	UTOW72255SH6	22	34.9				49.2	42.9	36.6	37.0	38.4
UTOW72461SH	UTOW72461SH6	24	38.0				53.4	46.0	39.8	40.1	41.5

For 96h salt spray version add "01" at the end of the part number e.g. UTOW71419PH601 (only jam nut will be black anodised)

new

UTOW

Dynamic IP68 / IP69K
High salt spray resistance
RoHS compliant



Insert rotation positions

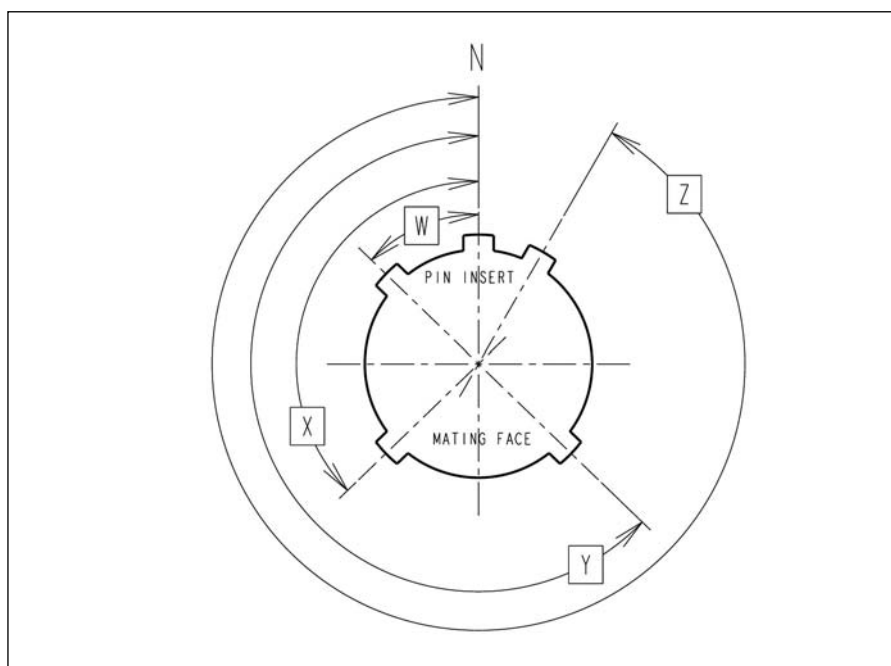
The table shows possible insert rotation positions.

5 positions N,W,X,y and Z differ in the degree of rotation for the various connectors sizes.

The table indicates the exact degree of rotation.

Note: Insert rotation positions are optional (consult factory)

Shell size	Contact number	Insert rotation positions			
		W	X	y	Z
10	6	90	-	-	-
12	10	60	155	270	295
14	19	30	165	315	-
16	26	60	-	275	338
18	32	85	138	222	265
20	41	45	126	225	-
22	55	30	142	226	314
24	61	90	180	270	324

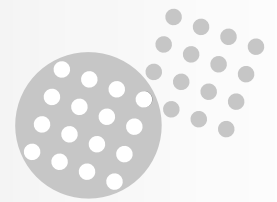


Extra O-seals for wall mounting (UTOW0) and jam nut (UTOW7) receptacle connectors

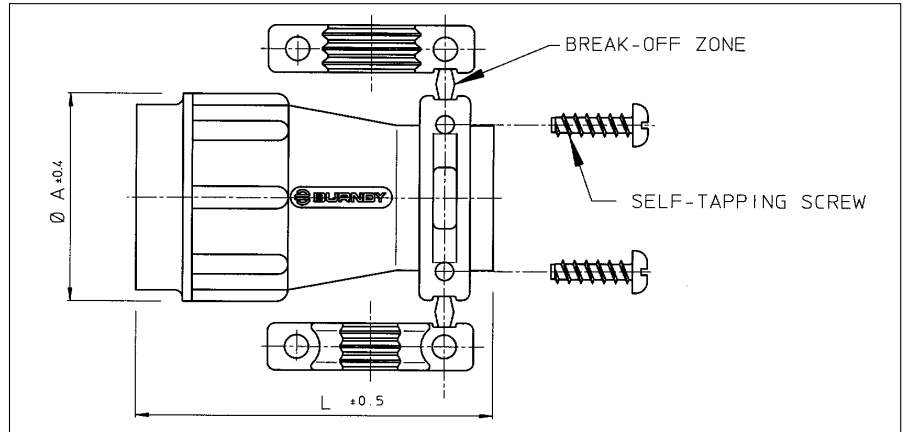
An extra O-seal must be mounted on the receptacle connectors when a backshell is used. This to guarantee the IP68 sealing level

Part number	Shell size
UT010REARSEAL	10
UT012REARSEAL	12
UT014REARSEAL	14
UT016REARSEAL	16
UT018REARSEAL	18
UT020REARSEAL	20
UT022REARSEAL	22
UT024REARSEAL	24

Circular accessories



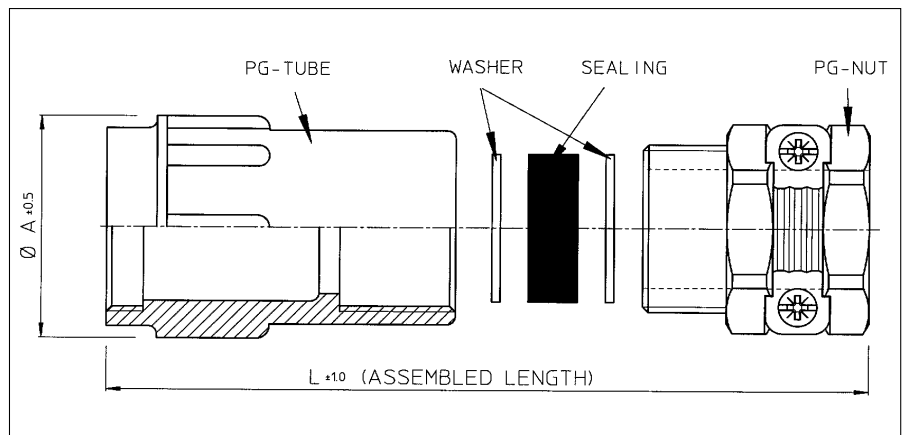
Plastic cable clamp with strain relief (UTG--AC)



Part number	Shell size	Cable range Ø	Ø A ± 0.4	L ± 0.5
UTG10AC	10	3.0 - 8.7	21.0	40.0
UTG12AC	12	3.0 - 12.8	24.0	40.0
UTG14AC	14	4.0 - 13.8	27.0	46.0
UTG16AC	16	5.0 - 17.0	30.2	46.0
UTG18AC	18	5.0 - 19.0	33.3	50.0
UTG20AC	20	5.0 - 21.0	36.5	55.0
UTG22AC	22	5.0 - 23.0	39.7	60.0
UTG24AC	24	8.0 - 27.0	42.9	65.0

For threading specifications see last page of this section "Circular accessories"

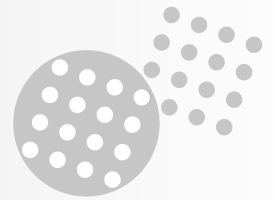
Plastic cable clamp with strain relief nut for waterprotected (IP65) applications (UTG--PG)



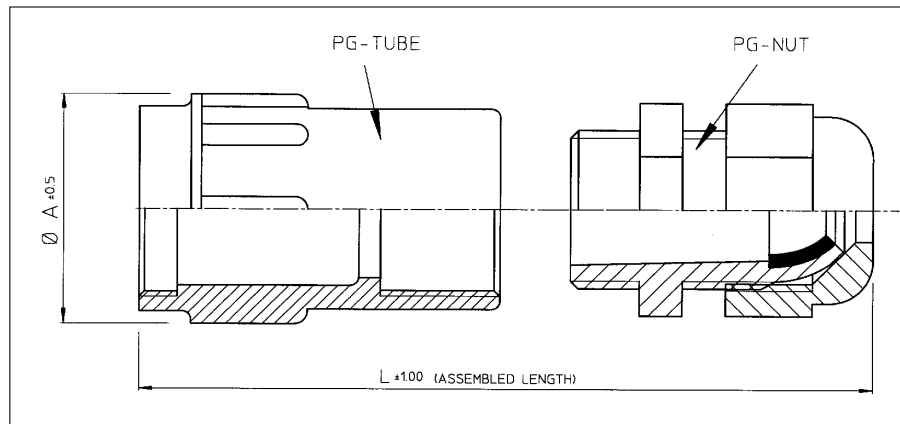
Part number	Shell size	Sealing* outer dia x inner dia's	L ± 1	A ± 0.5
UTG10PG	10	13.5 x 5 x 8	54	21.0
UTG12PG	12	16 x 7 x 10.5 x 13 x 16	57	24.0
UTG14PG	14	18.5 x 7 x 10.5 x 13 x 16	62	27.0
UTG16PG	16	20.5 x 8 x 10.5 x 13 x 16	68	30.2
UTG18PG	18	20.5 x 8 x 10.5 x 13 x 16	71	33.3
UTG20PG	20	26 x 11 x 15 x 18 x 22	82	36.5
UTG22PG	22	26 x 11 x 15 x 18 x 22	88	39.7
UTG24PG	24	35 x 19 x 23 x 27 x 31	103	42.9

*In order to accommodate different cable dia's, the sealing exists of different layers which can be pulled out easily. Cable clamp has a PG style cable gland. For threading specifications see last page of this section "Circular accessories"

Circular accessories



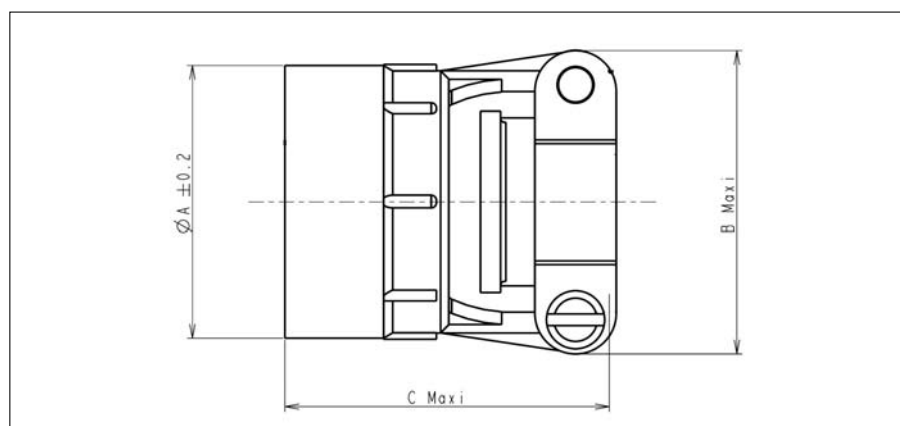
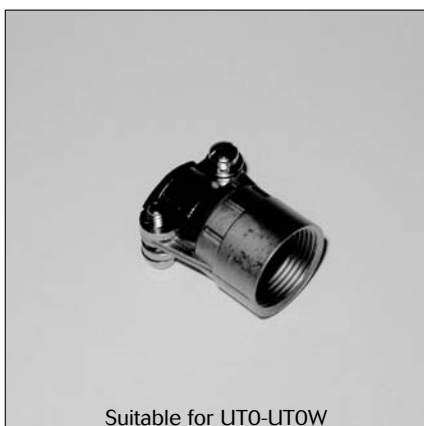
Plastic cable clamp with strain relief nut for waterprotected (IP65) applications (UTG--ST)



Part number	Shell size	Cable range	Dia. A ± 0.5	L ± 1
UTG10ST	10	2 - 6	21.0	64
UTG12ST	12	3 - 7	24.0	64
UTG14ST	14	6 - 9	27.0	69
UTG16ST	16	7 - 12	30.2	72
UTG18ST	18		33.3	76
UTG20ST	20	9 - 16	36.5	80
UTG22ST	22		39.7	86
UTG24ST	24	13 - 20	42.9	91

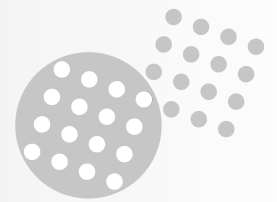
Cable clamp has a PG style cable gland. For threading specifications see last page of this section "Circular"

Metal cable clamp with strain relief (UT0--AC)

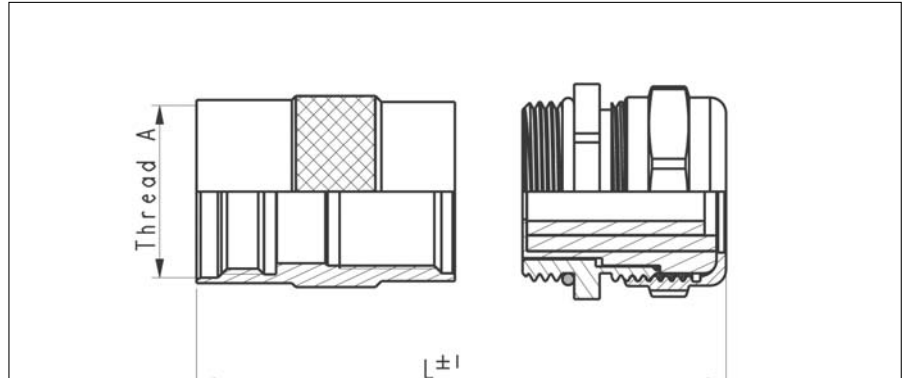


Part number	Shell size	Max cable dia. Excl. sealing	$\varnothing A \pm 0.2$	B maxi	C maxi
UT010AC	10	5.0	16.3	21.6	31.0
UT012AC	12	8.2	19.4	25.0	31.5
UT014AC	14	10.0	22.5	27.4	34.0
UT016AC	16	13.0	25.8	29.4	34.0
UT018AC	18	16.0	29.2	35.2	31.4
UT020AC	20	16.0	32.5	35.2	32.0
UT022AC	22	19.3	35.7	41.1	31.0
UT024AC	24	20.6	38.8	42.4	31.0

For threading specifications see last page of this section "Circular accessories"



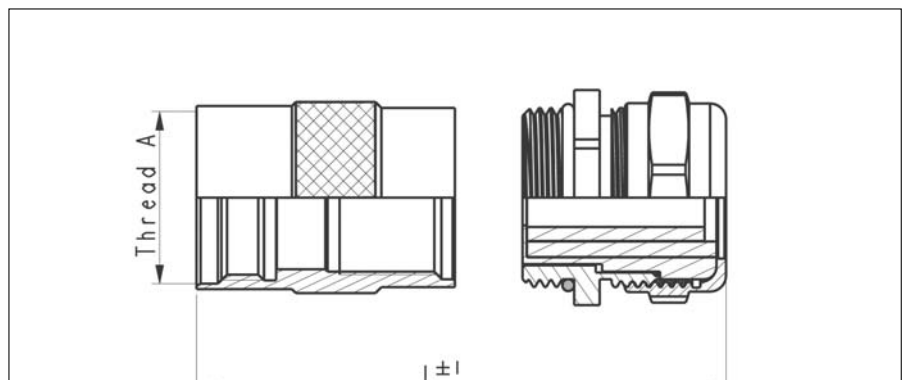
Short cable clamp with strain relief nut for waterprotected applications (IP68). (UT0--JCS)
Long cable clamp with strain relief nut for waterprotected applications (IP68). (UT0--JC)



Part number		Shell size	Clamping range (Ø en mm) min / max	L ± 1		Thread A
Short version	Long version			Short version	Long version	
UT010JCS	UT010JC	10	03 / 06	48.5	60.5	9/16 – 24 UNEF Class 2A
UT012JCS	UT012JC	12	06 / 10	49.5	61.5	11/16 – 24 UNEF Class 2A
UT014JCS	UT014JC	14	06 / 10	53.5	67.5	13/16 – 20 UNEF Class 2A
UT016JCS	UT016JC	16	9.5 / 14	62.5	73.5	15/16 – 20 UNEF Class 2A
UT018JCS	UT018JC	18	9.5 / 14	65.5	76.0	1" 1/16 – 18 UNEF Class 2A
UT020JCS	UT020JC	20	11.5 / 18	70.5	84.0	1" 3/16 – 18 UNEF Class 2A
UT022JCS	UT022JC	22	11.5 / 18	76.5	88.0	1" 5/16 – 18 UNEF Class 2A
UT024JCS	UT024JC	24	11.5 / 18	82.0	92.0	1" 7/16 – 18 UNEF Class 2A

Cable clamp has a Metric style cable gland. For threading specifications see last page of this section "Circular accessories"

Short cable clamp with large strain relief nut for waterprotected applications (IP68). (UT0--JCSL)
Long cable clamp with large strain relief nut for waterprotected applications (IP68). (UT0--JCL)

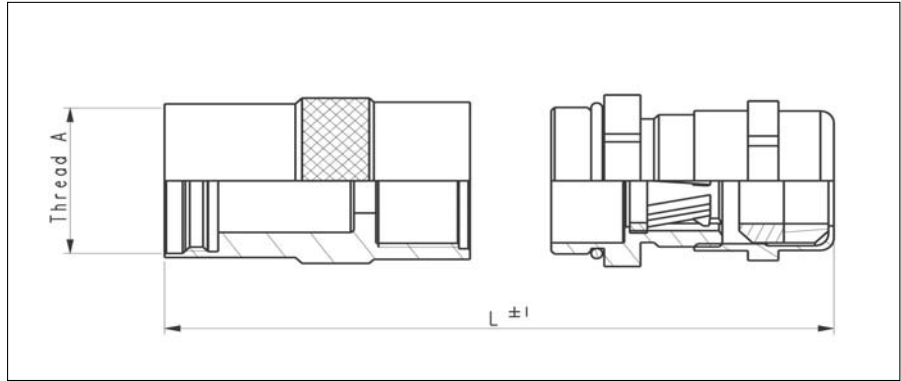


Part number		Shell size	Clamping range (Ø en mm) min / max	L ± 1		Thread A
Short version	Long version			Short version	Long version	
UT010JCSL	UT010JCL	10	05 / 08	49.5	61.5	9/16 – 24 UNEF Class 2A
UT012JCSL	UT012JCL	12	08 / 12	49.5	62.5	11/16 – 24 UNEF Class 2A
UT014JCSL	UT014JCL	14	08 / 12	54.5	68.5	13/16 – 20 UNEF Class 2A
UT016JCSL	UT016JCL	16	11.5 / 18	68.5	79.5	15/16 – 20 UNEF Class 2A
UT018JCSL	UT018JCL	18	11.5 / 18	71.5	82.0	1" 1/16 – 18 UNEF Class 2A
UT020JCSL	UT020JCL	20	15 / 24	77.5	91.0	1" 3/16 – 18 UNEF Class 2A
UT022JCSL	UT022JCL	22	15 / 24	83.5	95.0	1" 5/16 – 18 UNEF Class 2A
UT024JCSL	UT024JCL	24	15 / 24	89.0	99.0	1" 7/16 – 18 UNEF Class 2A

Cable clamp has a Metric style cable gland. For threading specifications see last page of this section "Circular accessories"



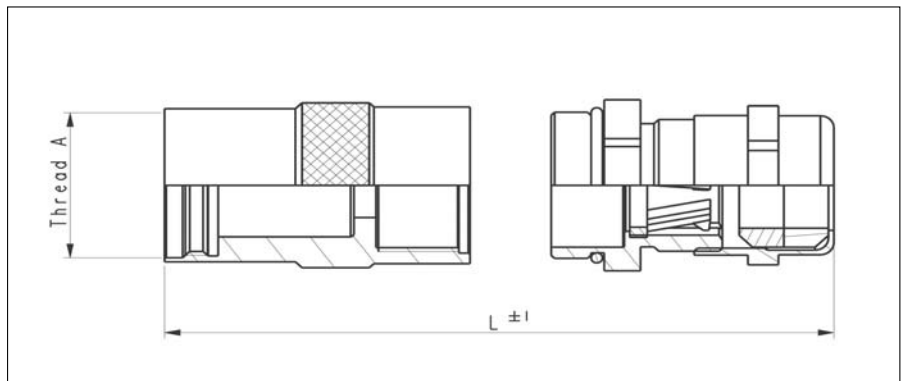
Short shielded cable clamp with strain relief nut for waterprotected applications (IP68). (UT0S----JCS)
Long shielded cable clamp with strain relief nut for waterprotected applications (IP68). (UT0S----JC)



Part number		Shell size	Clamping range (Ø en mm) min / max	L ± 1		Thread A
Short version	Long version			Short version	Long version	
UT0S10JCS	UT0S10JC	10	04 / 6.5	58.5	70.5	9/16 – 24 UNEF Class 2A
UT0S12JCS	UT0S12JC	12	07 / 10.5	61.5	74.5	11/16 – 24 UNEF Class 2A
UT0S14JCS	UT0S14JC	14	07 / 10.5	66.5	80.5	13/16 – 20 UNEF Class 2A
UT0S16JCS	UT0S16JC	16	10 / 14.5	72.5	83.5	15/16 – 20 UNEF Class 2A
UT0S18JCS	UT0S18JC	18	10 / 14.5	75.5	86.0	1" 1/16 – 18 UNEF Class 2A
UT0S20JCS	UT0S20JC	20	13.5 / 18	84.5	97.5	1" 3/16 – 18 UNEF Class 2A
UT0S22JCS	UT0S22JC	22	13.5 / 18	90.0	101.5	1" 5/16 – 18 UNEF Class 2A
UT0S24JCS	UT0S24JC	24	13.5 / 18	95.5	105.5	1" 7/16 – 18 UNEF Class 2A

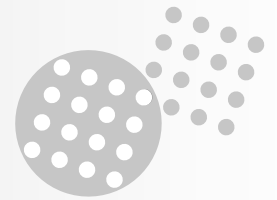
Cable clamp has a Metric style cable gland. For threading specifications see last page of this section "Circular accessories"

Short shielded cable clamp with large strain relief nut for waterprotected applications (IP68). (UT0S----JCSL)
Long shielded cable clamp with large strain relief nut for waterprotected applications (IP68). (UT0S----JCL)

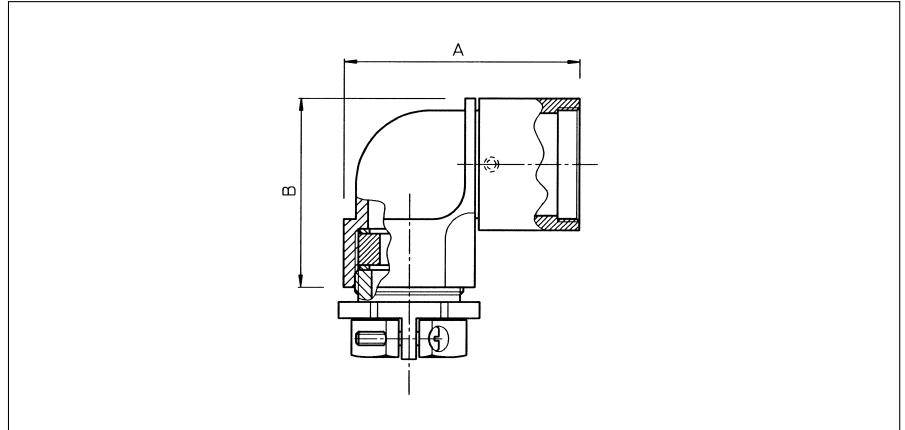


Part number		Shell size	Clamping range (Ø en mm) min / max	L ± 1		Thread A
Short version	Long version			Short version	Long version	
UT0S10JCSL	UT0S10JCL	10	05 / 8.5	59.5	71.5	9/16 – 24 UNEF Class 2A
UT0S12JCSL	UT0S12JCL	12	08 / 12.5	61.5	74.5	11/16 – 24 UNEF Class 2A
UT0S14JCSL	UT0S14JCL	14	08 / 12.5	66.5	80.5	13/16 – 20 UNEF Class 2A
UT0S16JCSL	UT0S16JCL	16	13.5 / 18	82.5	93.5	15/16 – 20 UNEF Class 2A
UT0S18JCSL	UT0S18JCL	18	13.5 / 18	85.5	96.0	1" 1/16 – 18 UNEF Class 2A
UT0S20JCSL	UT0S20JCL	20	17 / 24	93.0	106.5	1" 3/16 – 18 UNEF Class 2A
UT0S22JCSL	UT0S22JCL	22	17 / 24	99.0	110.5	1" 5/16 – 18 UNEF Class 2A
UT0S24JCSL	UT0S24JCL	24	17 / 24	104.5	114.5	1" 7/16 – 18 UNEF Class 2A

Cable clamp has a Metric style cable gland. For threading specifications see last page of this section "Circular accessories"



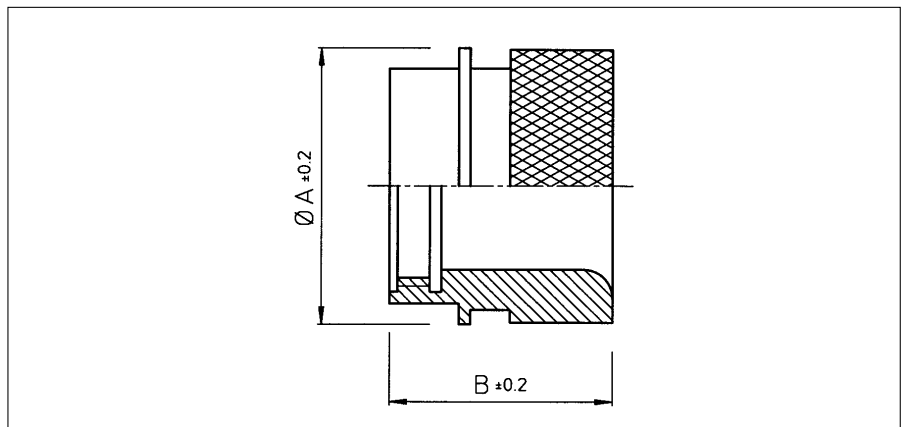
Metal right angle cable clamp with strain relief nut (UTG--LPGN / UTO--LPGN)



Part number For UTP / UTG	Part number For UTO / UTOW	Shell size	A max	B max	Cable range
UTG10LPGN	UT010LPGN	10	48.0	30.0	13.5 x 5 x 8
UTG12LPGN	UT012LPGN	12	50.0	33.5	16 x 7 x 10.5 x 13
UTG14LPGN	UT014LPGN	14	52.0	36.5	18.5 x 7 x 10.5 x 13 x 16
UTG16LPGN	UT016LPGN	16	55.0	39.5	20.5 x 8 x 10.5 x 13 x 16
UTG18LPGN	UT018LPGN	18	60.0	46.0	20.5 x 8 x 10.5 x 13 x 16
UTG20LPGN	UT020LPGN	20	58.0	47.0	26 x 11 x 15 x 18 x 22
UTG22LPGN	UT022LPGN	22	58.0	48.5	26 x 11 x 15 x 18 x 22
UTG24LPGN	UT024LPGN	24	67.0	54.5	35 x 19 x 23 x 27 x 31

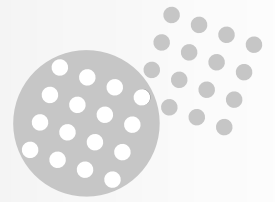
Cable clamp has a PG style cable gland. For threading specifications see last page of this section "Circular accessories"

Metal shrink boot adaptor (UTG--AD) for UTP and UTG

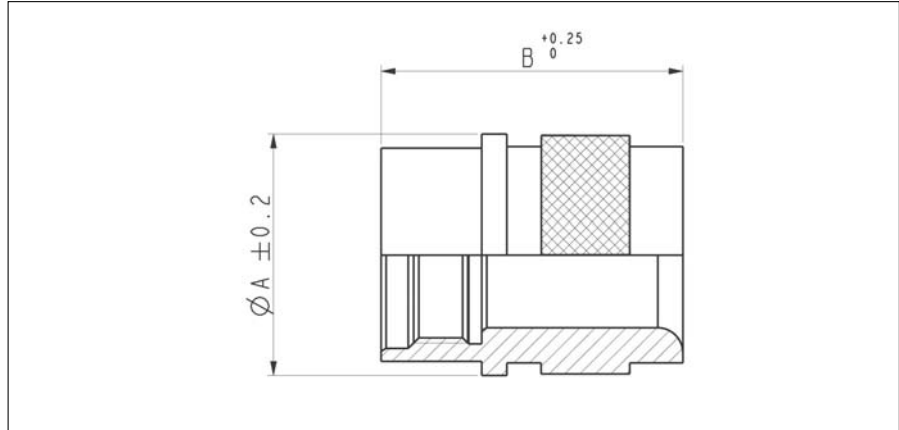


Part number	Shell size	Ø A ±0.2	B
UTG10AD	10	21.0	19.2
UTG12AD	12	24.0	
UTG14AD	14	27.0	
UTG16AD	16	30.0	21.5
UTG18AD	18	33.3	22.8
UTG20AD	20	36.5	
UTG22AD	22	39.7	
UTG24AD	24	42.9	21.9

Standard plating is anodised black. For tin plating add "T" at the end of the part number e.g. UTG12ADT
For threading specifications see last page of this section "Circular accessories"



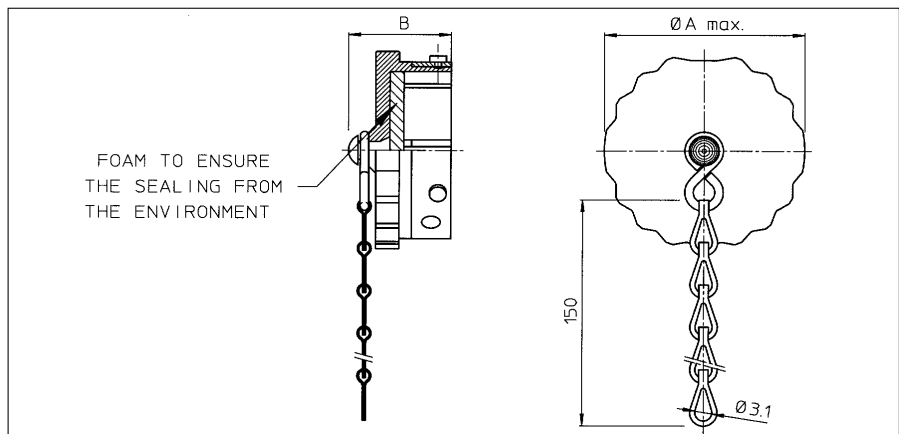
Metal shrink boot adaptor for UTO and UTOW



Part number	Shell size	$\varnothing A \pm 0.2$	B
UT010AD	10	21	24.7
UT012AD	12	24	
UT014AD	14	27	
UT016AD	16	30	27
UT018AD	18	33.3	
UT020AD	20	36.5	
UT022AD	22	39.7	
UT024AD	24	42.9	

For threading specifications see last page of this section "Circular accessories"

Environmental dustcap for plugs (UTG6--DCG)

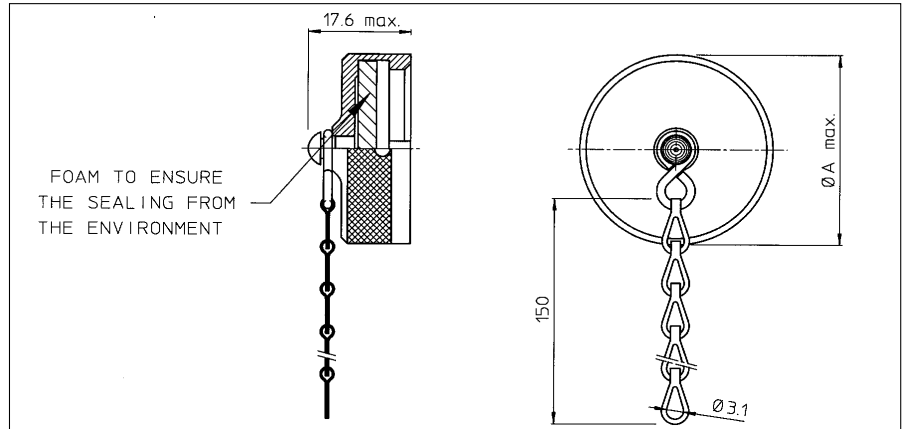
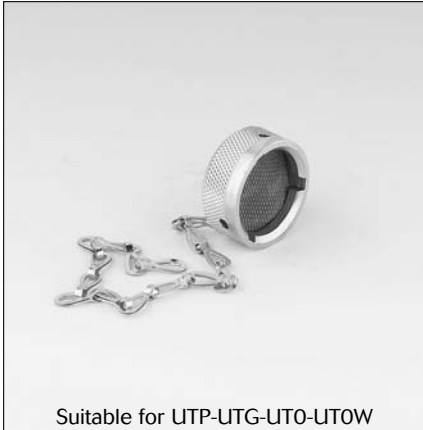


Part number	Shell size	A max.	B
UTG610DCG	10	20.0	20.8
UTG612DCG	12	24.0	
UTG614DCG	14	27.5	
UTG616DCG	16	30.5	
UTG618DCG	18	33.5	
UTG620DCG	20	36.5	22.5
UTG622DCG	22	40.0	
UTG624DCG	24	43.0	

For dustcap without chain skip "G" e.g. UTG612DC



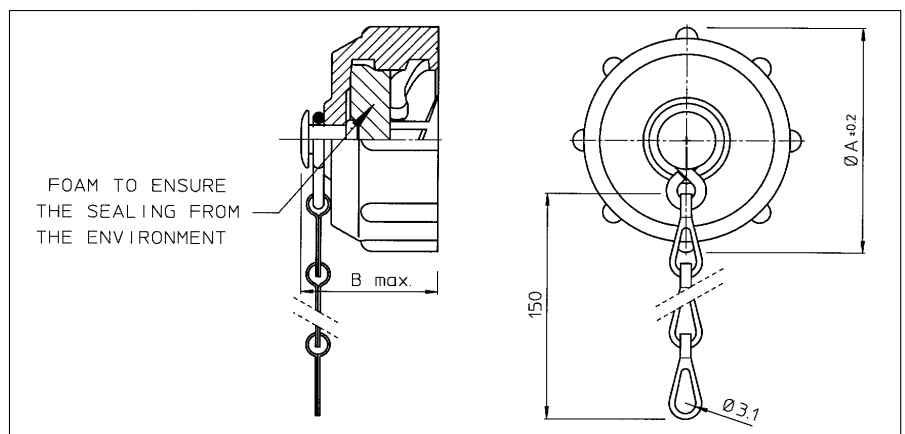
Metal environmental dustcap for receptacles (UT0--DCG)



Part number	Shell size	A max.
UT010DCG	10	20.8
UT012DCG	12	24.9
UT014DCG	14	28.1
UT016DCG	16	31.3
UT018DCG	18	34.4
UT020DCG	20	37.6
UT022DCG	22	40.8
UT024DCG	24	43.9

For dustcap without chain skip "G" e.g. UTG12DC
For jam dustcap consult factory

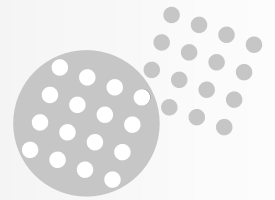
Plastic environmental dustcap for receptacles (UTP--DCG)



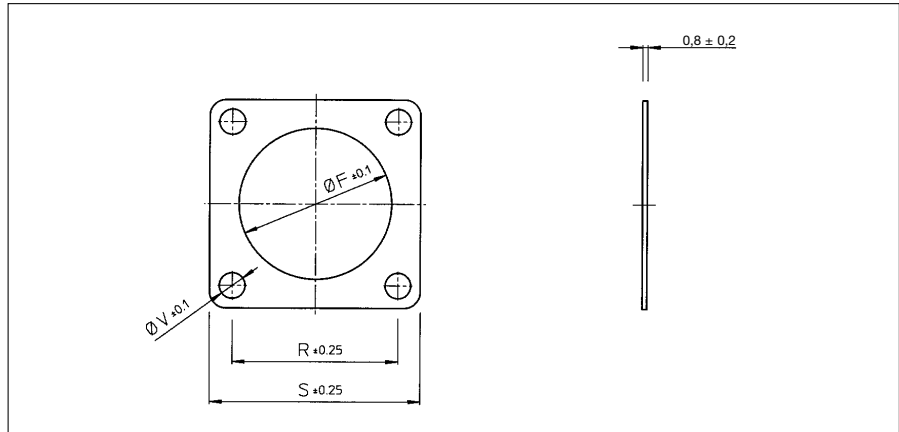
Part number	Shell size	Ø A ±0.2	B max.
UTP10DCG	10	26.7	19.3
UTP12DCG	12	31.4	20.0
UTP14DCG	14	34.5	20.2
UTP16DCG	16	37.8	
UTP18DCG	18	40.8	
UTP20DCG	20	43.9	21.8
UTP22DCG	22	47.0	
UTP24DCG	24	50.1	

For dustcap without chain skip "G" e.g. UTP12DC
For jam dustcap consult factory

Circular accessories

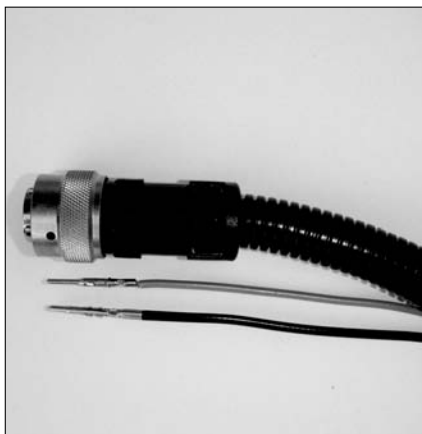


Sealing for wall mounting receptacle (UTFD1-B)



Part number	Shell size	Ø F ±0.1	R ±0.25	S ±0.25	Ø V
UTFD12B	10	15.9	18.3	23.8	3.3
UTFD13B	12	19.0	20.6	26.2	
UTFD14B	14	22.2	23.0	28.6	
UTFD15B	16	25.4	24.6	31.0	
UTFD16B	18	28.6	27.0	33.3	
UTFD17B	20	31.8	29.4	36.5	
UTFD18B	22	34.9	31.8	39.7	
UTFD19B	24	38.1	34.9	42.9	4.0

Adaptors for flexible cable protection systems (conduits)



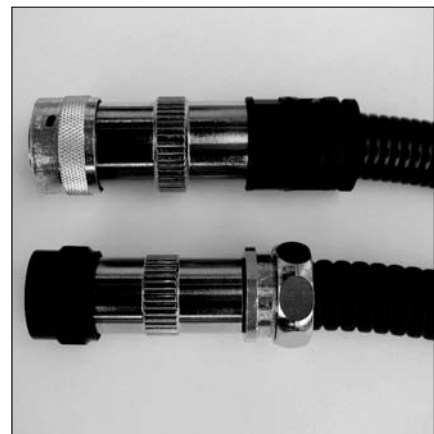
Adaptors for flexible cable protections systems that fit to the TRIM TRIO circular connectors are available from cable protection systems manufacturers (e.g. PMA).

2 solutions are offered:

- UNEF Adaptors that fit directly onto the connectors (left picture)
- METRIC Adaptors that fit onto the metal cable clamp tubes as indicated on pages 43 and 44 (right picture)

These types of adaptors offer extra protection to single wire applications (electrical, coax, Fibre optic ... etc.)

Note: the adaptors are not available from Souriau. They must be ordered directly from the manufacturers



Cable gland threadings used on cable clamps

Shell size	Thread size on connectors	PG threading	Metric threading
10	9/16 - 24 UNEF	PG9	M16 x 1.5
12	11/16 - 24 UNEF	PG11	M20 x 1.5
14	13/16 - 20 UNEF	PG13.5	M20 x 1.5
16	15/16 - 20 UNEF	PG16	M25 x 1.5
18	1-1/16 - 18 UNEF	PG16	M25 x 1.5
20	1-3/16 - 18 UNEF	PG21	M32 x 1.5
22	1-5/16 - 18 UNEF	PG21	M32 x 1.5
24	1-7/16 - 18 UNEF	PG29	M32 x 1.5