



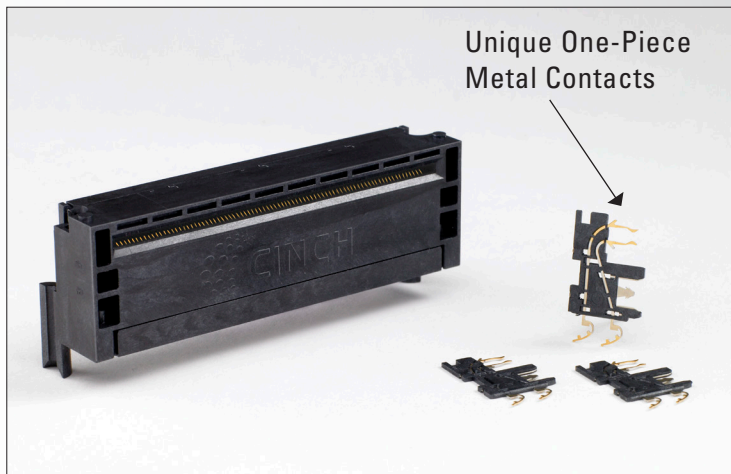
The Performance Advantages of Compression in a Reliable One-Piece Contact Design

The Cinch Advantage

A compression style AMC connector with uniquely designed one-piece metal contacts for robust and reliable performance.

Technology

The Cinch AMC Connector is a B+ type compression style mezzanine connector solution.

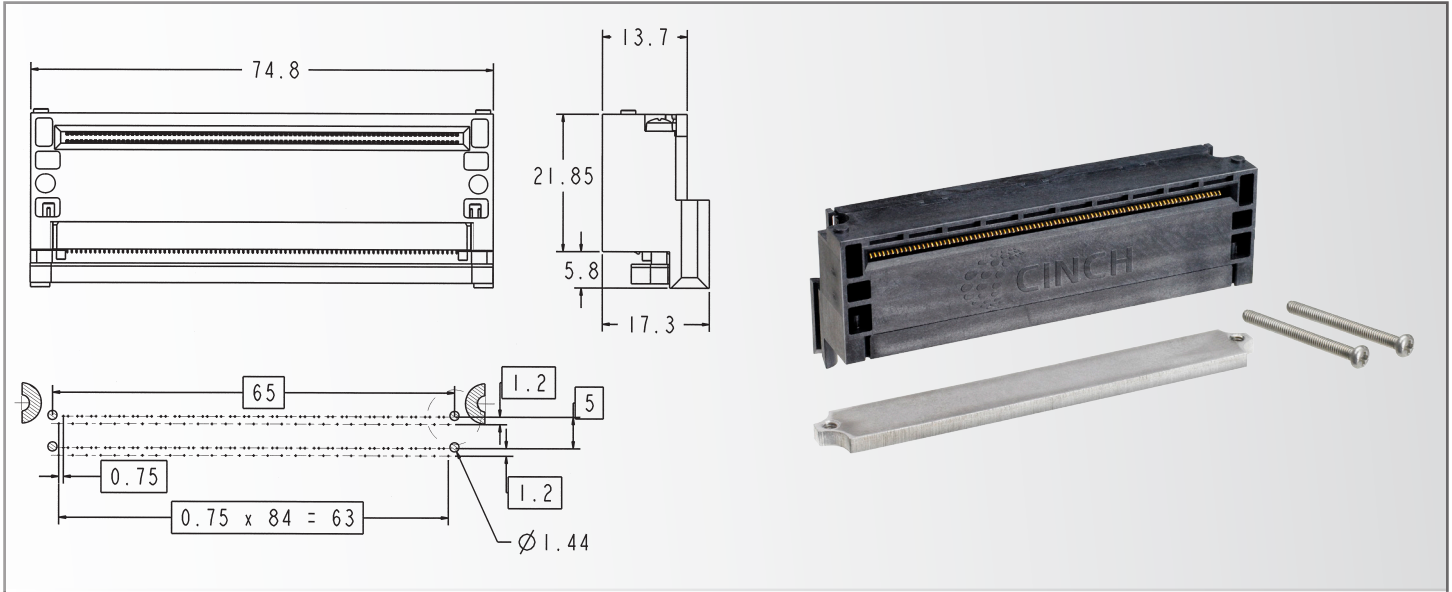


The connector features uniquely designed highly reliable one-piece metal contacts which provide seamless carrier board to mezzanine card paths for long-term robust performance.

Key Features and Benefits

- Highly reliable one-piece contact design for long-term robust performance
- Compression design delivers superior electrical performance with excellent far-end cross-talk (<1%) supporting 12.5+ Gbps per channel
- Compression style connector enables simplified routing and reduced stub-effects and reflections
- Fully compliant with PICMG AMC.0 Revisions 1 & 2, and footprint compatible with other compression style AMC connectors
- Connector provides contact wipe to the carrier board for a reliable first-time mate
- Solderless connector attachment allows for easy connector removal or rework
- Unique contact plating minimizes abrasions to the mezzanine card contacts
- Supports >200 mezzanine card mating cycles with a low insertion force of <80N
- Compression screws and board bolster plate included

Cinch AMC



Description	Part Number
170 position Type B+ Mezzanine Connector with compression hardware and bolster plate	299-99-00-728

Cinch AMC Connector		
Signal Integrity		
	AMC.0 Spec	Cinch AMC
Insertion Loss	1.0 dB @ 8GHz	0.8 dB @ 8GHz
	2.0 dB @ 12GHz	2.0 dB @ 12GHz
Return Loss	20.0 dB @ 5GHz	29.0 dB @ 5GHz
	13.0 dB @ 8GHz	13.0 dB @ 8GHz
Impedance	100 ± 10 Ohm	100 ± 9 Ohm
	Differential Far-End Cross Talk	
Driven by two adjacent active pairs	2.0%	0.6%
Driven by single active pair on the Extended side to a differential pair on the Basic side	<1%	0.55%
Mechanical		
Mating Cycles	>200	>200
Insertion Force	100N	77N

For More Information

For additional questions or information please contact the Cinch product team at (800) 323-9612 or by e-mail at amc@cinch.com