



## Flexible conduit adapter for UTS & UTO connectors



Combination of easy-to use and reliable solution  
for discrete wire protection

**IP68-IP69K & UV resistant**



Suitable for Outdoor applications

**Conduit locking mechanism**



Easy to install

**Designed for NW conduit profile**



Compatible with market standard

**Ergonomic design**



Easy handling

**Halogen free**



Environmentally friendly



# UTS & UTO Series



## Ordering information

Numb. contact	Layout	Contacts size	UTS standard (contacts supplied separately)		UTS Hiseal (contacts loaded)		UTO (contacts supplied separately)	
			Male insert	Female insert	Male insert	Female insert	Male insert	Female insert
2	12E2	#16	-	-	UTS6FC12E2P	UTS6FC12E2S	-	-
2+ground	142G1	#8	-	UTS6FC142G1S	-	-	-	UT06FC142G1SH
3	12E3	#16	-	-	UTS6FC12E3P	UTS6FC12E3S	-	-
4	124	#16	UTS6FC124P	UTS6FC124S	-	-	UT06FC124PH	UT06FC124SH
	12E4	#16	-	-	UTS6FC12E4P	UTS6FC12E4S	-	-
5	14E5	#16	-	-	-	UTS6FC14E5S	-	-
7	147	#16	-	UTS6FC147S	-	-	-	UT06FC147SH
	14E7	#16	-	-	-	UTS6FC14E7S	-	-
8	128	#16	UTS6FC128P	UTS6FC128S	-	-	UT06FC128PH	UT06FC128SH
	12E8	#16	-	-	UTS6FC12E8P	UTS6FC12E8S	-	-
10	1210	#20	UTS6FC1210P	UT6FC1210S	-	-	UT0W6FC1210PH	UT0W6FC1210SH
	12E10	#20	-	-	UTS6FC12E10P	UTS6FC12E10S	-	-
12	1412	#16	-	UTS6FC1412S	-	-	-	UT06FC1412SH
	14E12	#16	-	-	-	UTS6FC14E12S	-	-
14	12E14	#20	-	-	UTS6FC12E14P	UTS6FC12E14S	-	-
15	14E15 <sup>(2)</sup>	Mixed power	-	-	-	UTS6FC14E15S	-	-
16	1619	#16	-	-	-	-	-	UT06FC1619SH
	1626	#20	-	-	-	-	-	UT0W6FC1626SH
18	14E18	#20	-	-	-	UTS6FC14E18S	-	-
19	1419	#20	-	UTS6FC1419S	-	-	-	UT0W6FC1419SH
	14E19	#20	-	-	-	UTS6FC14E19S	-	-
23	1823	#16	-	UTS6FC1823S	-	-	-	UT06FC1823SH
28	2028	#16	-	-	-	-	-	UT06FC2028SH
32	1832	#20	-	UTS6FC1832S	-	-	-	UT0W6FC1832SH
	18E32	#20	-	-	-	UTS6FC18E32S	-	-
35	2235	#16	-	-	-	-	-	UT06FC2235SH
41	2041	#20	-	-	-	-	-	UT0W6FC2041SH
48	2448	#16	-	-	-	-	-	UT06FC2448SH
55	2255	#20	-	-	-	-	-	UT0W6FC2255SH
61	2461	#20	-	-	-	-	-	UT0W6FC2461SH

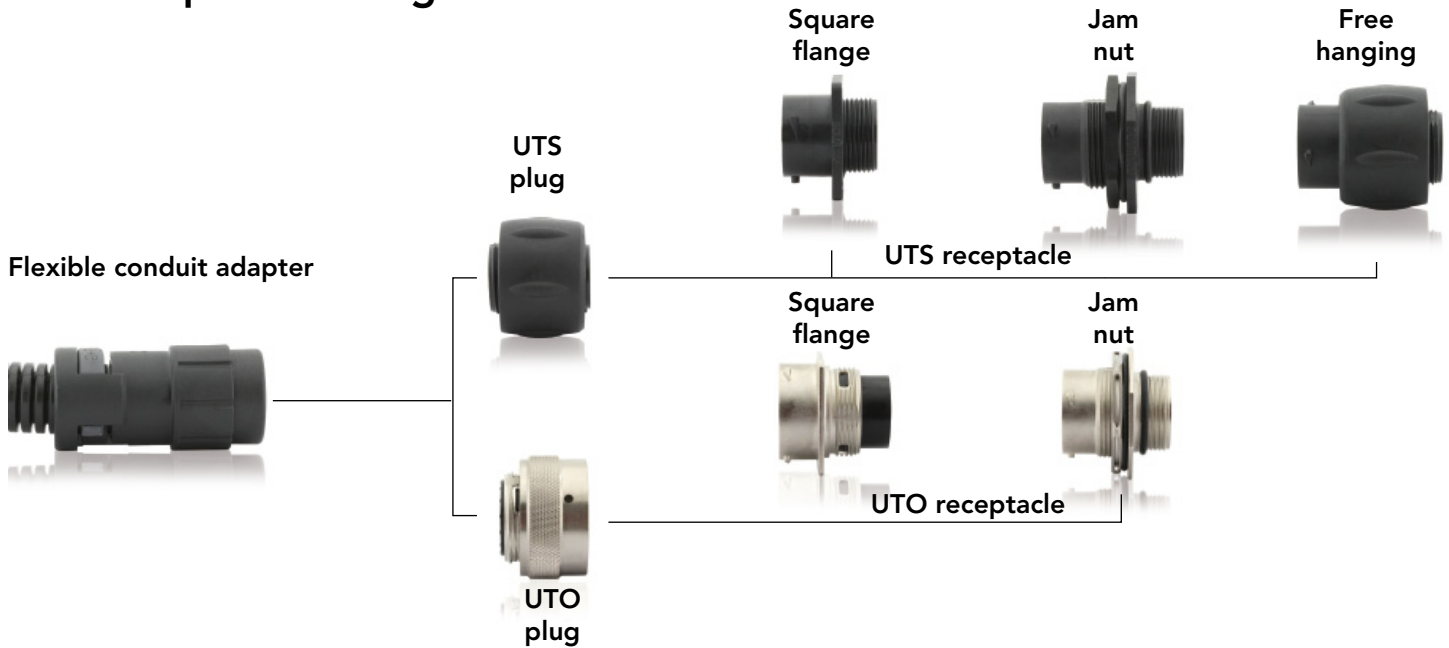
NB: connector and backshell delivered without flexible conduit

(1) 14E12: 4 contacts #16 + 8 contacts #20

(2) 14E15: 1 contact #16 + 14 contacts #20

# UTS & UTO Series

## Counter part offering



## Technical features

### Environmental:

- From -40°C to +105°C
- Flammability rate: UL 94V0 I2F3 according to NFF 16101 and NFF 16102
- UV resistant
- Salt spray: > 500 Hours
- Sealing: IP68

- Fluid resistant: Oil and gas, Mineral oil, basic bath

### Material:

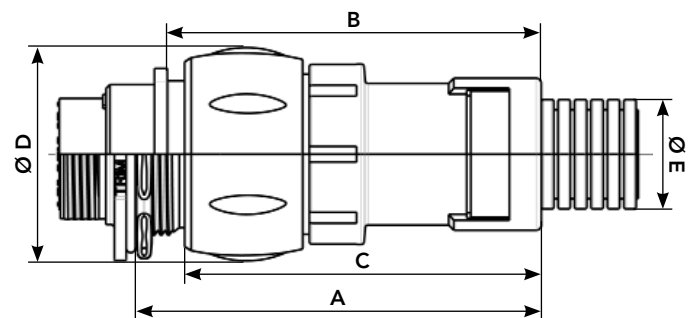
- Backshell: Thermoplastic Polyamid 6
- Halogen free
- RoHS

## Dimensions

### UTS plug with flexible conduit: UTS6FC...

Size	A (UTS7)	B (UTSO)	C	Ø D	Ø E
12	71.1	64.5	61	30.1	NW12
14	71.1	64.5	61	35.1	NW12
18	79.4	72.7	69.2	42	NW17

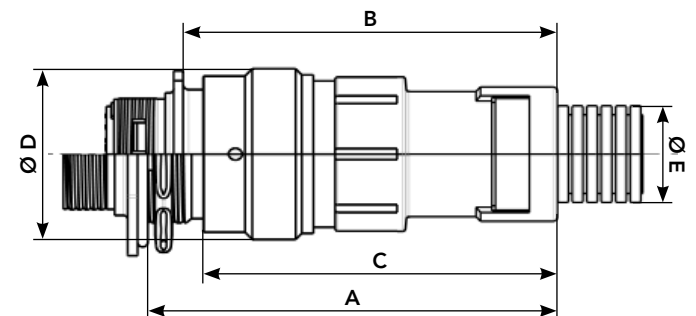
Ø E: flexible conduit diameter



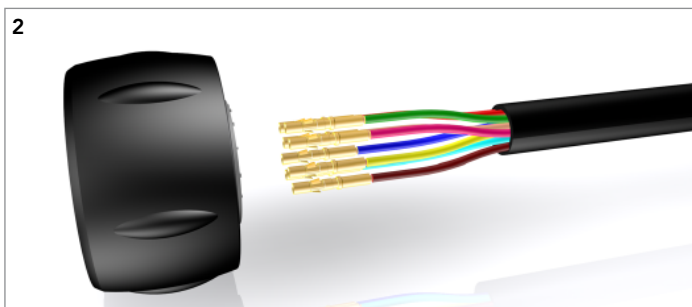
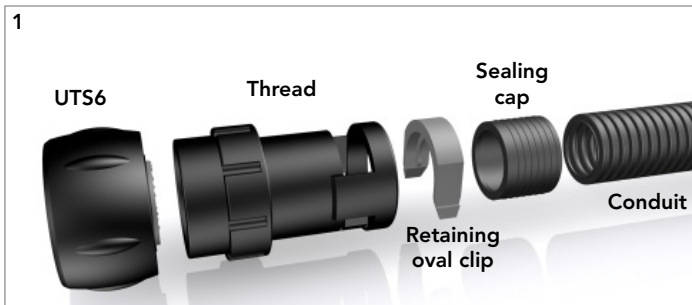
### UTO plug with flexible conduit: UTO6FC...

Size	A (UTO7)	B (UTO0)	C	Ø D	Ø E
12	71.1	64.5	60.9	26.1	NW12
14	71.1	64.5	60.9	29.3	NW12
16	79.4	72.8	69.2	32.4	NW17
18	79.4	72.8	69.2	35.2	NW17
20	84.5	76.4	71.1	38.8	NW23
22	84.6	76.4	71.1	42.0	NW23
24	84.4	76.2	70.9	45.0	NW29

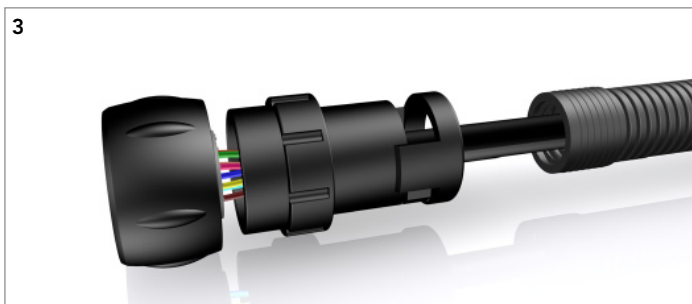
Ø E: flexible conduit diameter



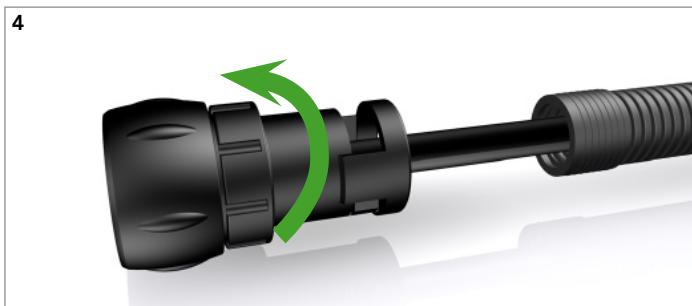
## Assembly instructions



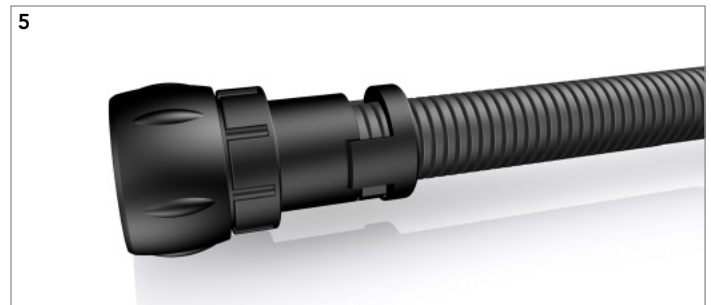
Crimp the contacts and locate them in their cavities. Check the retention by slightly pulling the cable.



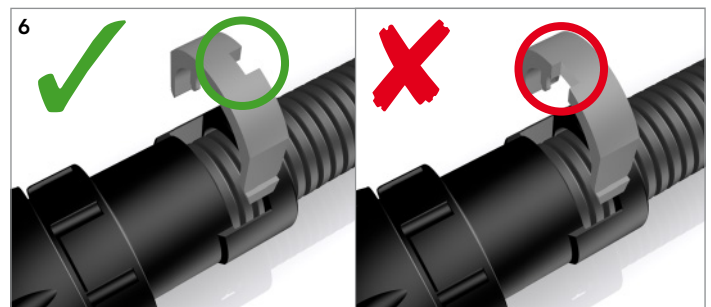
To achieve optimum sealing, push the sealing cap completely over the conduit.



Screw the fitting onto the plug thread. Use a product such as Loctite to ensure adequate sealing between the plug and the fitting.



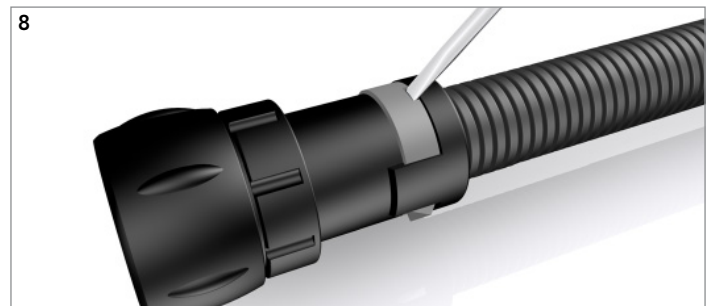
Push conduit with sealing cap into the fitting until sealing cap is no longer visible in the locking element window.



Take care of the oval retaining clip orientation and locate it in the slot provided.



Push the conduit locking mechanism into backshell body.



To release the locking mechanism, use a screwdriver.