



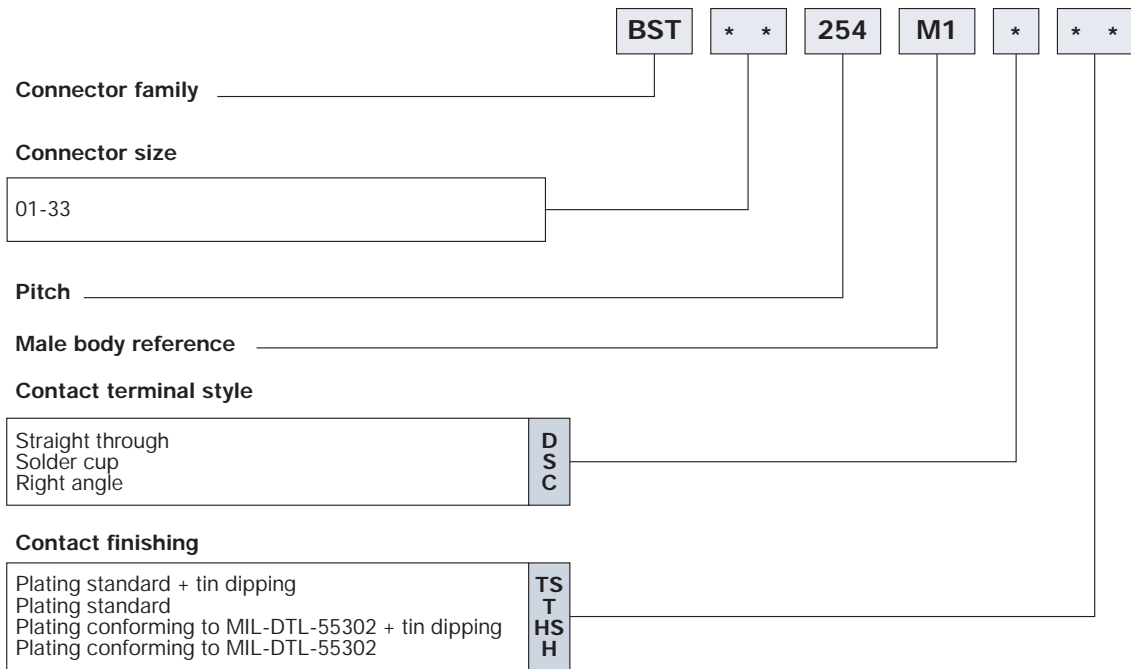
## Signal Connectors in Parallel Arrangement

- One contact row within dielectric connector body, 2.54 mm center-to-center contact spacing.
- 0.6 mm nominal pin DIA contact size; 1 to 33 contact positions; PCB straight, right angle and solder cup termination types.
- High shock and vibration proof (no micro interruptions - test: 2ns).
- Conforms to MIL-DTL-55302 general requirements.
- For Military and Industrial applications.

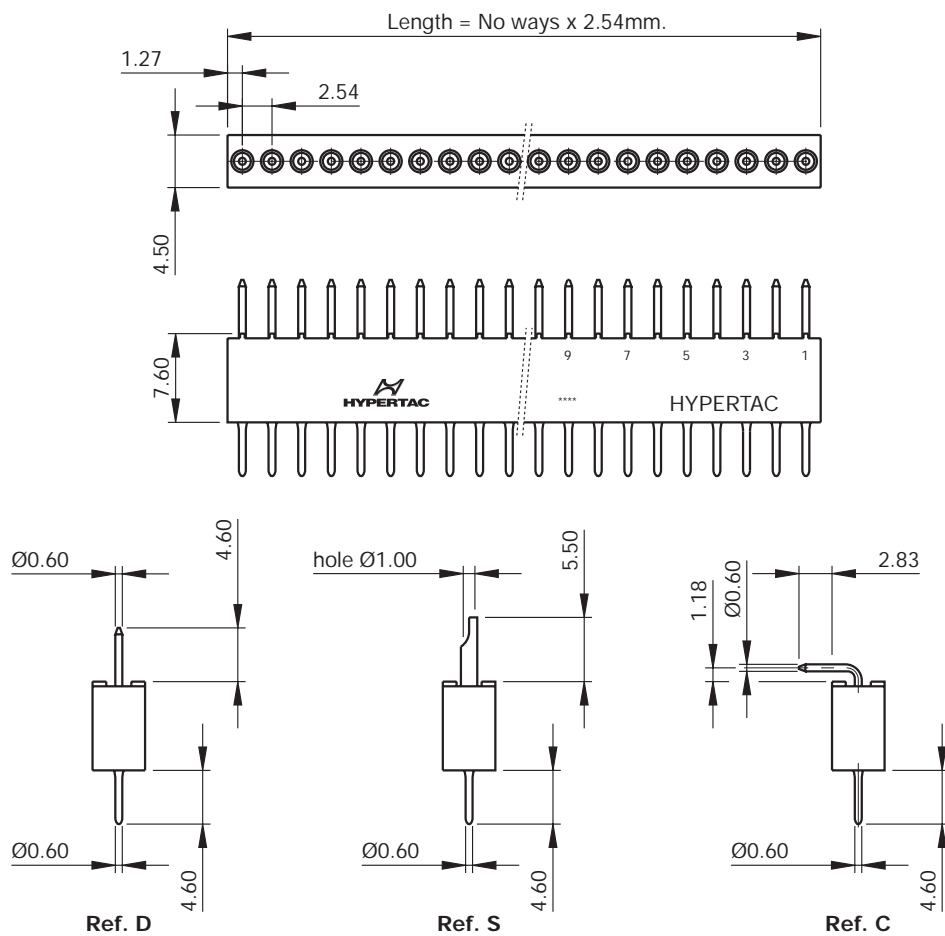
### Technical Characteristics

Contact Number	1 to 33
Contact Diameter	0.6 mm nominal pin DIA
Current Rating	3A
Contact Life Cycle	>10.000 insertion and withdrawal cycles
Dielectric Withstanding Voltage	1400 VRMS - sea level
Temperature Range	-55 °C to +125 °C
Insulation Resistance	>5x10 <sup>3</sup> MΩ at 500 V dc
Insulator	Thermoplastic resin
Contact Plating - Material - Plating	Brass Gold
Separation Force	80 g./cont.

Ordering Information - Connector type BST\*\*254M1\*\*

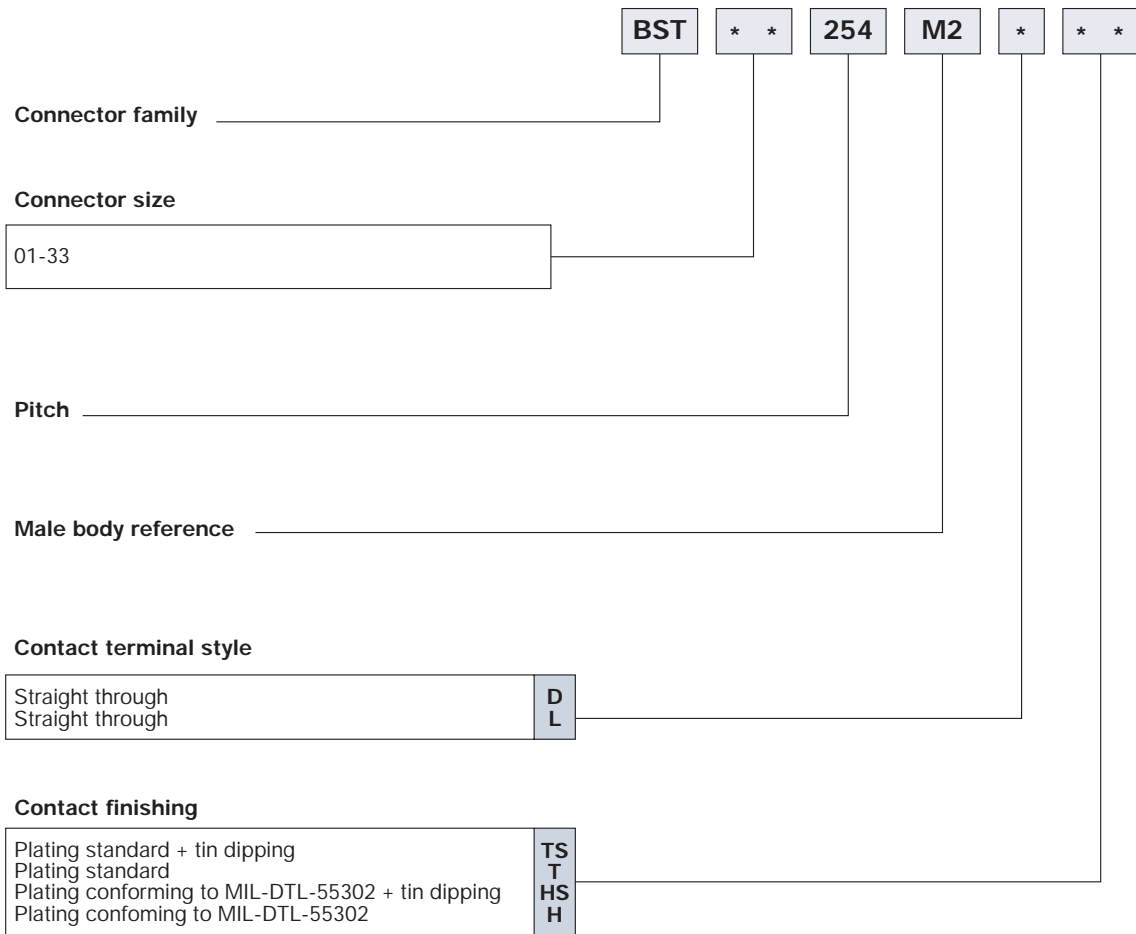


Connector type: BST\*\*254M1\*\*

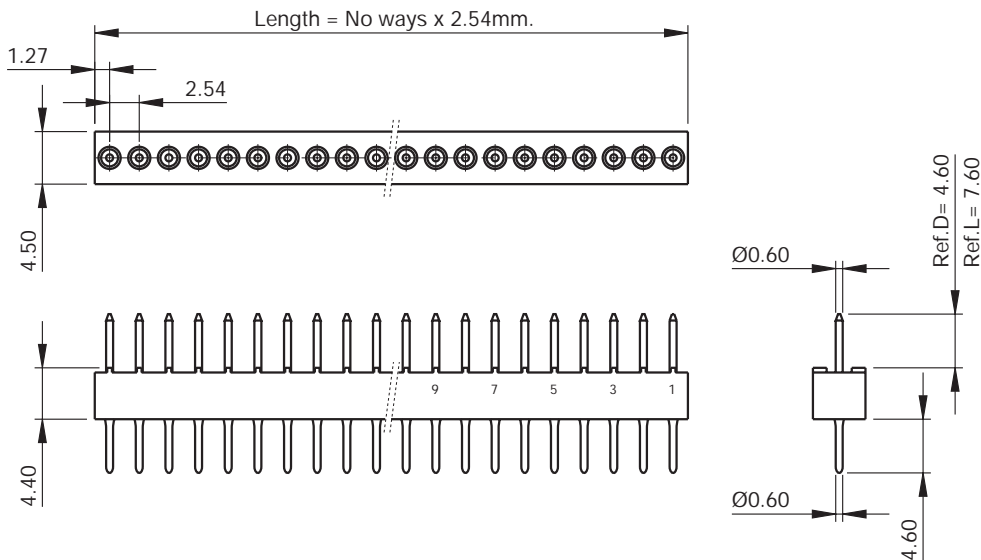


Dimensions are in mm

Ordering Information - Connector type BST\*\*254M2\*\*

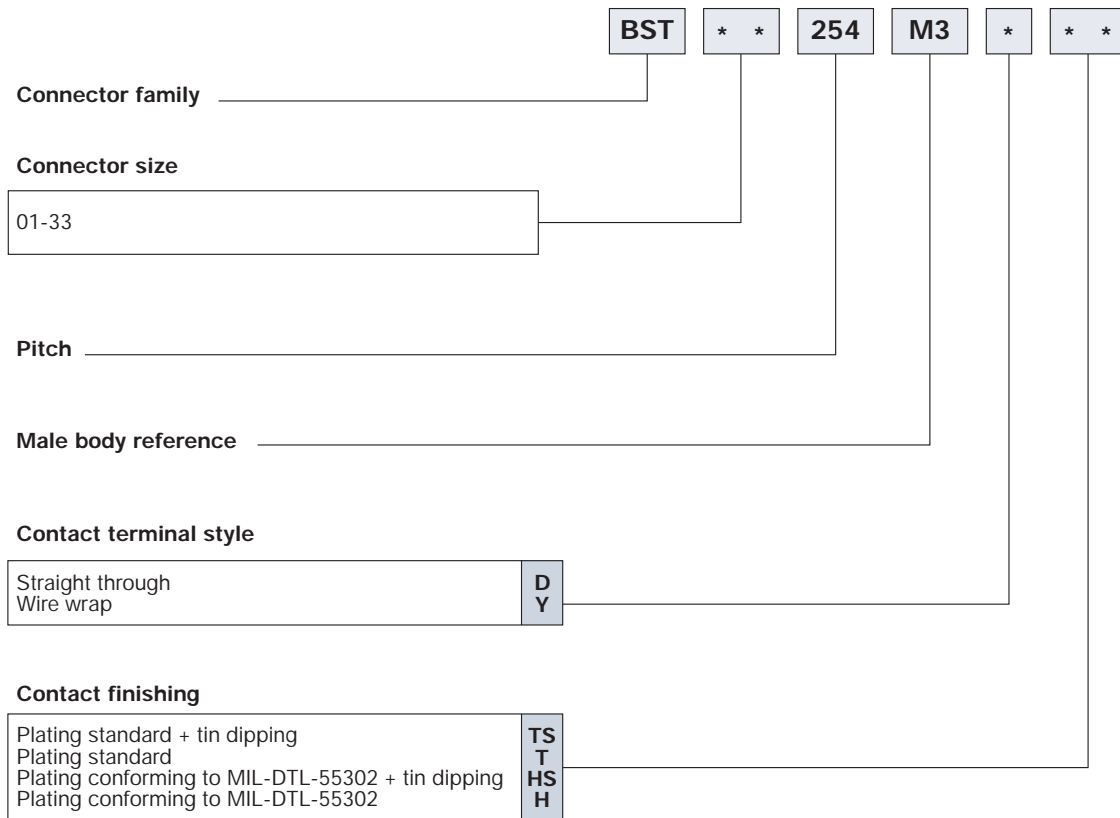


Connector type: BST\*\*254M2\*\*

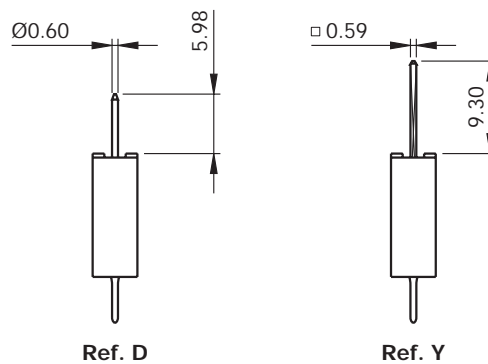
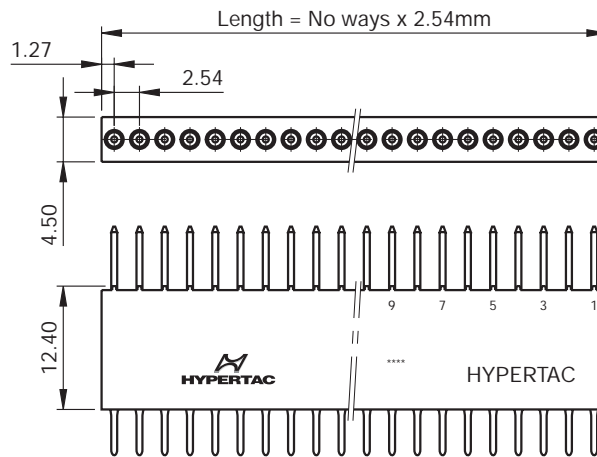


Dimensions are in mm

Ordering Information - Connector type BST\*\*254M3\*\*

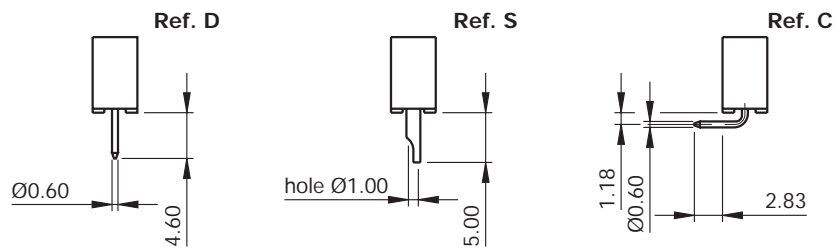
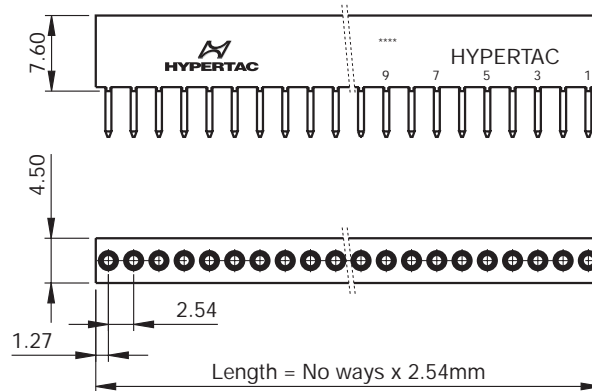
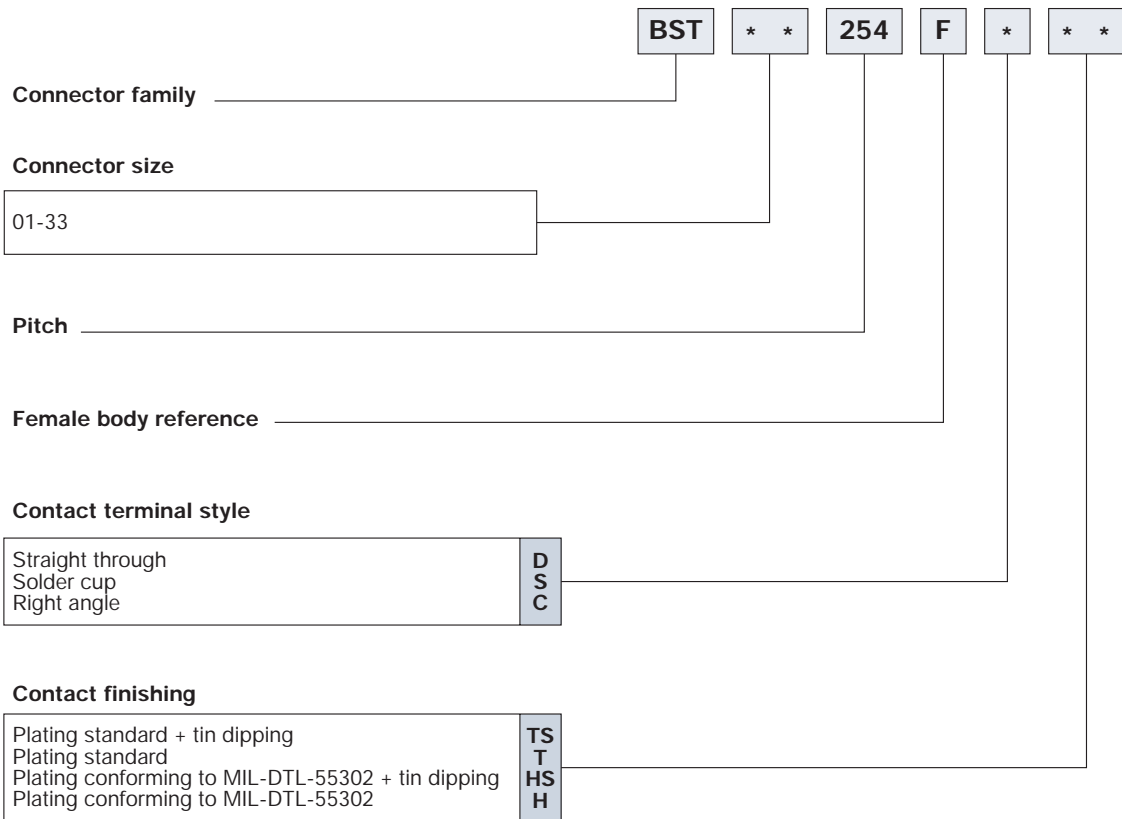


Connector type: BST\*\*254M3\*\*



Dimensions are in mm

Ordering Information- Connector type BST\*\*254F\*\*



Dimensions are in mm