



## 8 Contact Row Signal Connectors

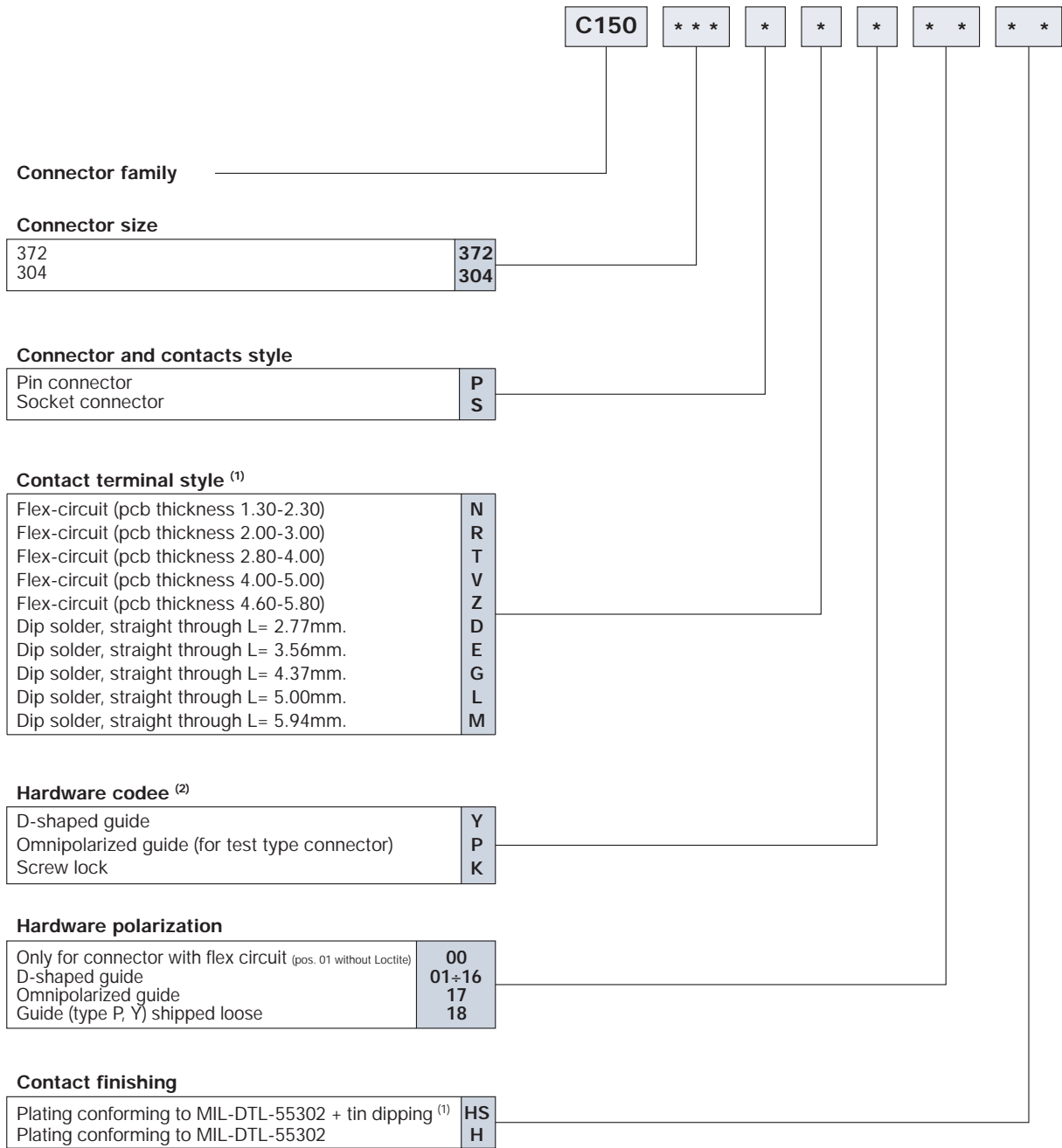
- Offset-grid contact layout, eight contact rows within dielectric connector body, 2.54 mm center-to-center contact spacing in each row and 1.27 row-to-row spacing.
- 0.5 mm nominal pin DIA contact size; 304, 372 contact positions; dip solder and SMT soldering contact termination types in PPS solid body.
- High contact density, high shock and vibration proof (no micro interruptions - test: 2ns).
- Conforms to MIL-DTL-55302.
- For military and industrial applications.

### Technical Characteristics

MATERIAL		
Body Contacts	PPS Brass CuBe Phosphor-Bronze	MIL-M-24519 ASTM B16 ASTM B197 ASTM B139
Hardware	Stainless steel CuBe	ASTM A582 ASTM B196
FINISHES		
Contacts Hardware	Gold Passivation Nichel	ASTM B488 ASTM A967 QQ-N-290
MECHANICAL		
Mating/Unmating force Contact life	50g max 30.000 insertion	- -
ELECTRICAL		
Current rating <sup>(1)</sup> Contact resistance Dielectric withstanding voltage Insulation resistance	2.0 A ≤ 5.0 mΩ 1000 VRMS, 60 Hz a.s.l. ≥ 5000 MΩ at 500 VDC	- - - -
PHYSICAL AND ENVIROMENTAL		
Shock Vibration Operating range	- - -65°C +125°C	In accordance with MIL-STD-1344 In accordance with MIL-STD-1344 -

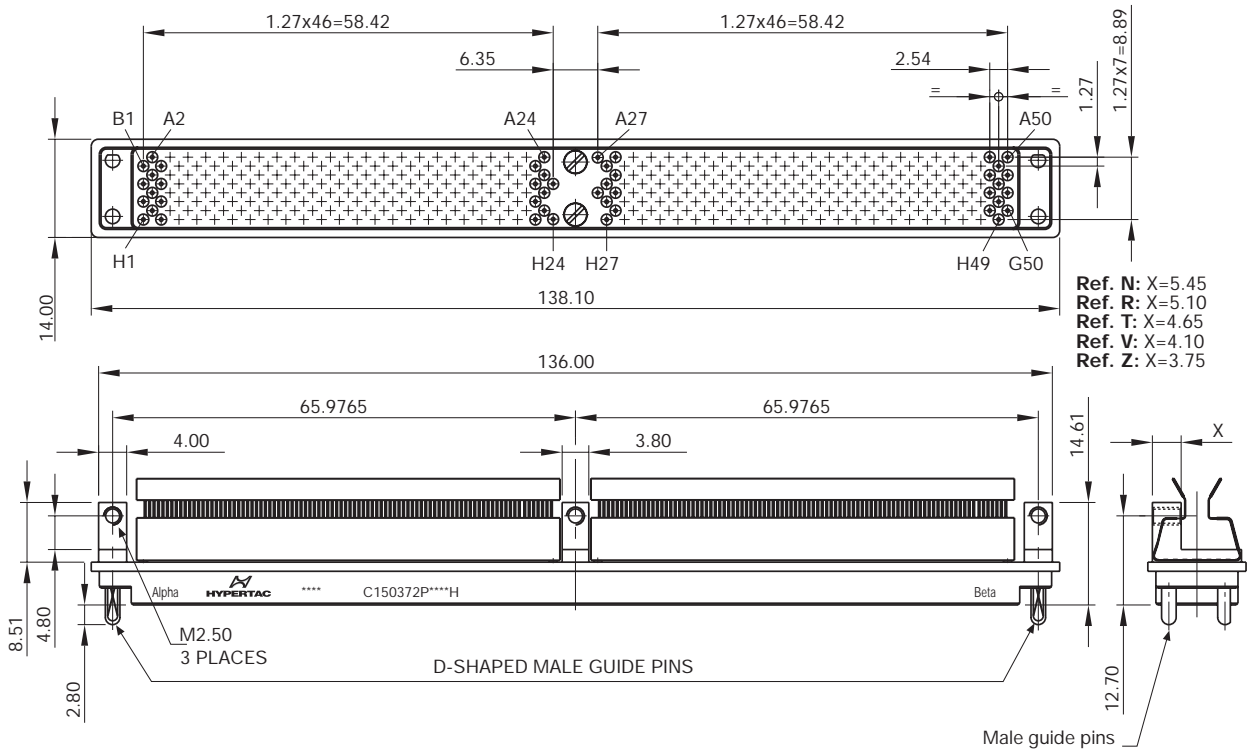
<sup>(1)</sup> Consult factory for details

Ordering Information

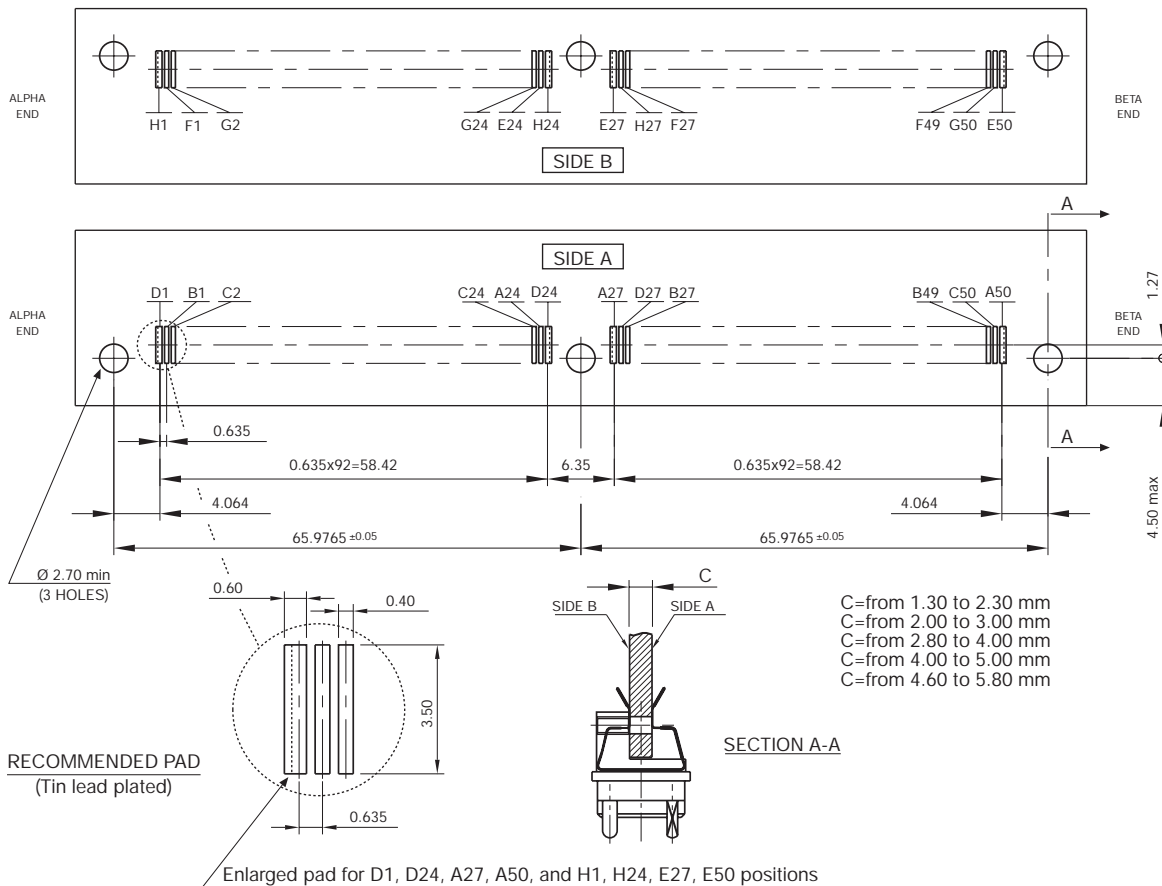


(1) Pin connector 304 contact position, straight contact terminal style equipped, is not available.  
 (2) Hardware code type K for socket connector with flex circuit is not available.  
 (3) This finishing is only for contacts dip solder, straight thru

Pin connector, 372 contact positions, surface mount tail termination style



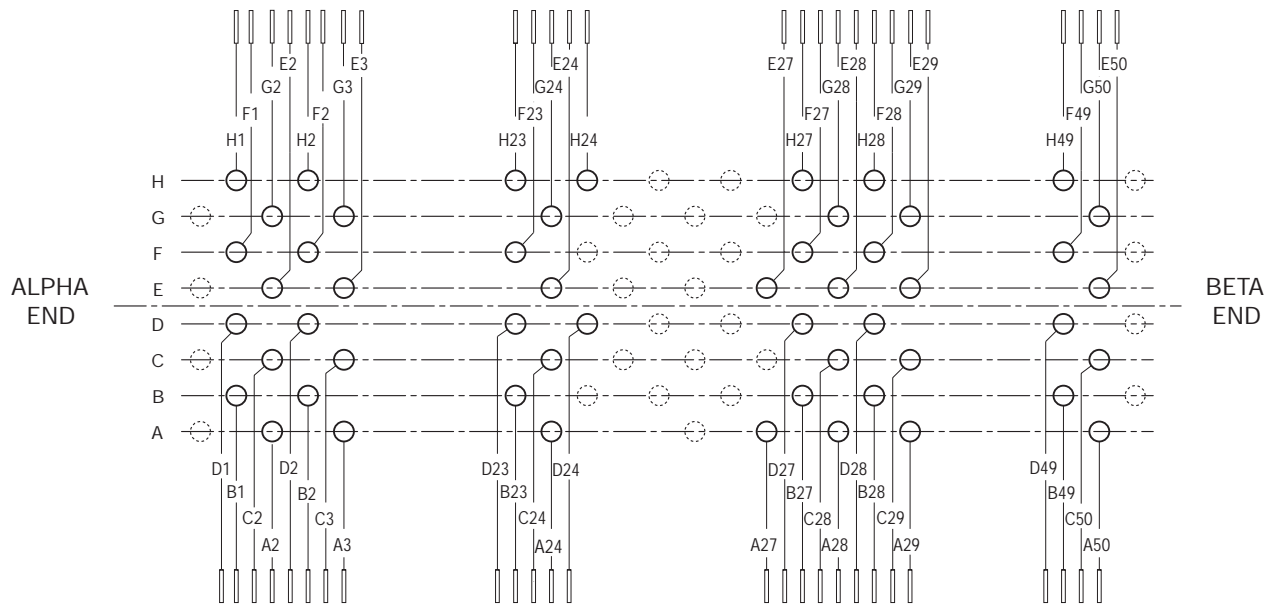
Pin connector, 372 contact positions, surface mount tail contact termination style, board package thickness from .051 to .228 inch, (1.30 to 5.80 mm).



Mounting pattern, daughterboard application, or in line arrangement board-to-board connection

Dimensions are in mm

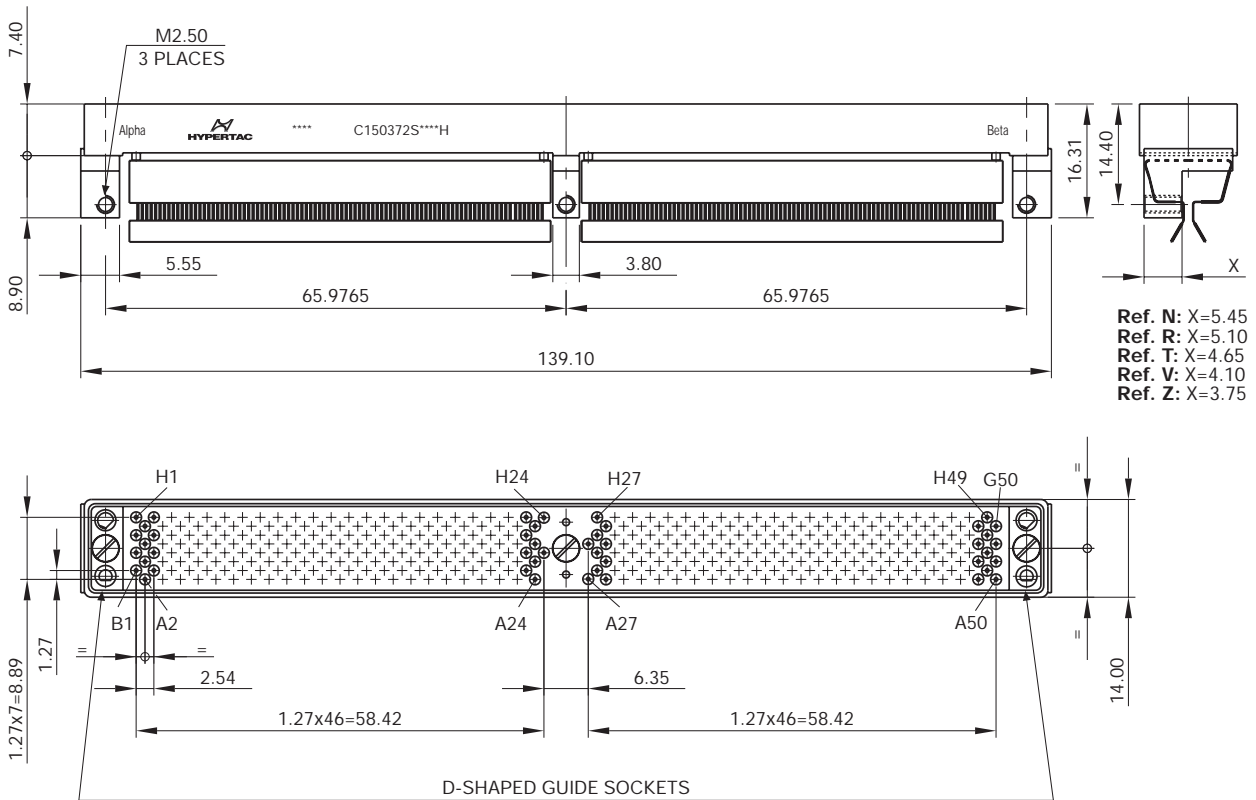
Pin connector, 372 contact positions, surface mount tail termination style



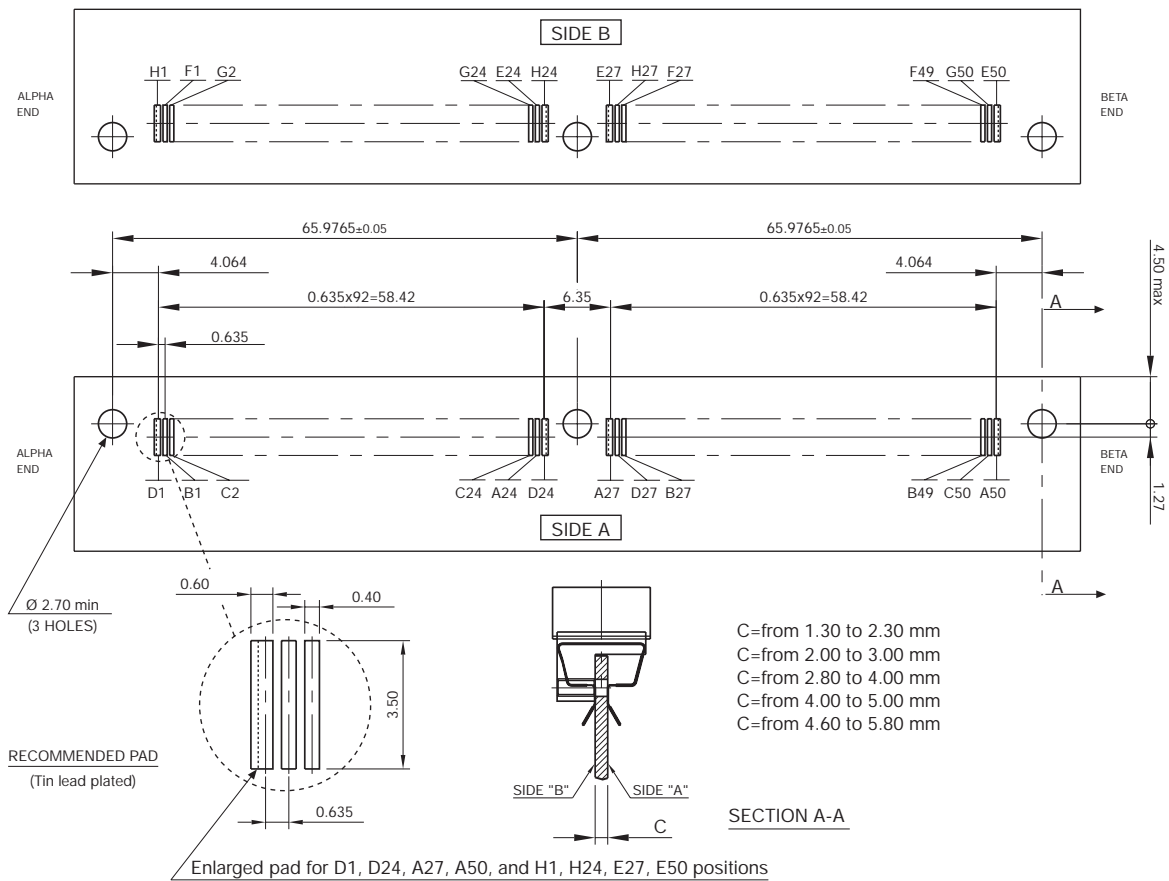
SIDE OPPOSITE PIN CONNECTOR

Flex-circuits contact assignment diagram

Socket connector, 372 contact positions, surface mount tail termination style



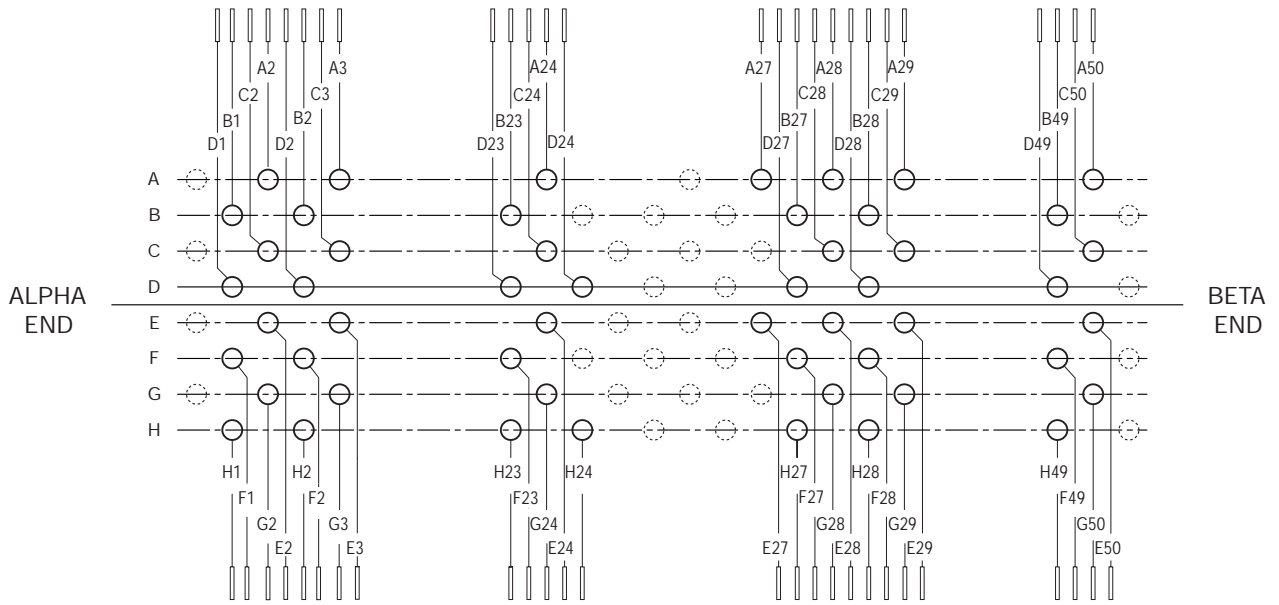
Socket connector, 372 contact positions, surface mount tail contact termination style, board package thickness from 1.30 to 5.80 mm.



Mounting pattern, in line arrangement board-to-board connection, or daughterboard application when connector use reverse gender contacts.

Dimensions are in mm

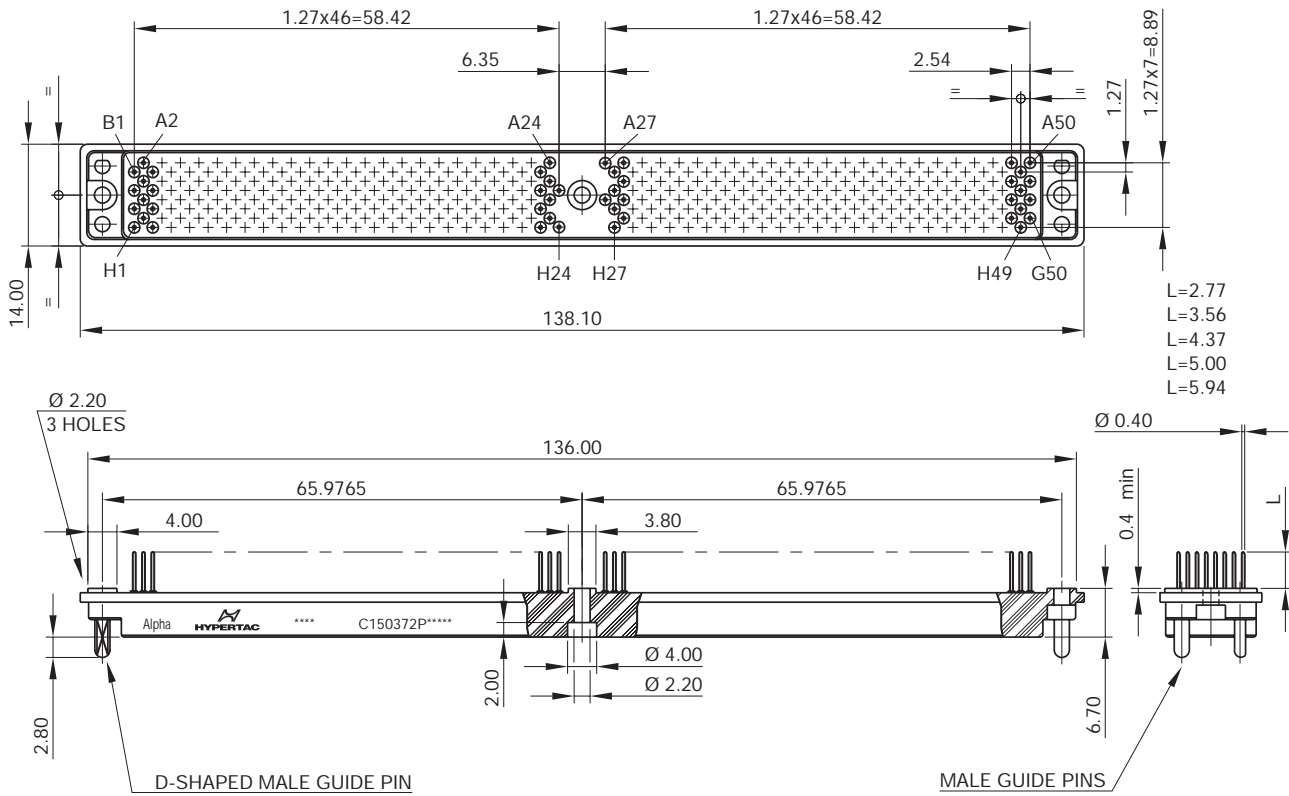
Socket connector, 372 contact positions, surface mount tail termination style



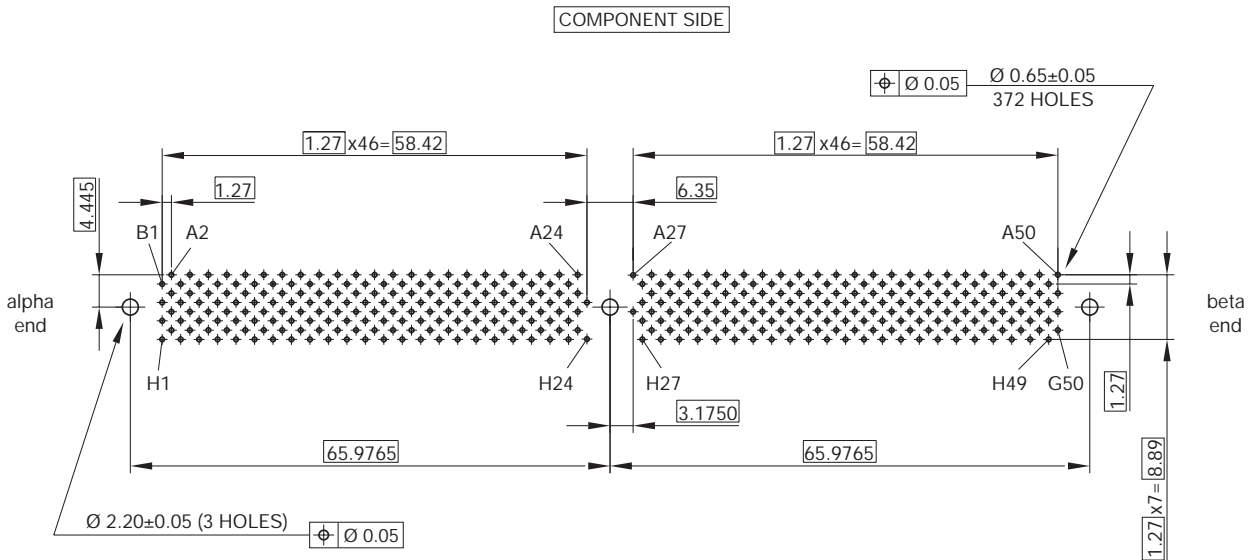
SIDE OPPOSITE SOCKET CONNECTOR

Flex-circuits contact assignment diagram

Pin connector, 372 contact positions, dip solder termination style

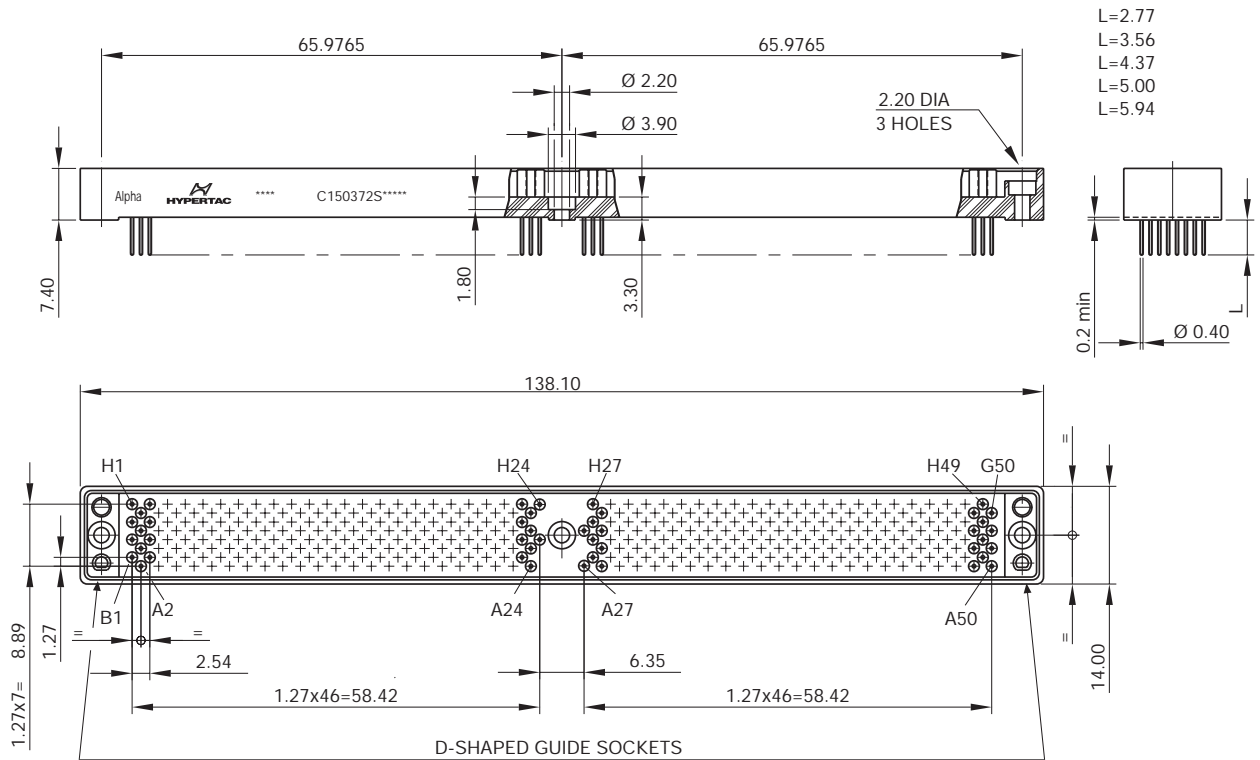


Pin connector, 372 contact positions, dip solder (straight) termination style

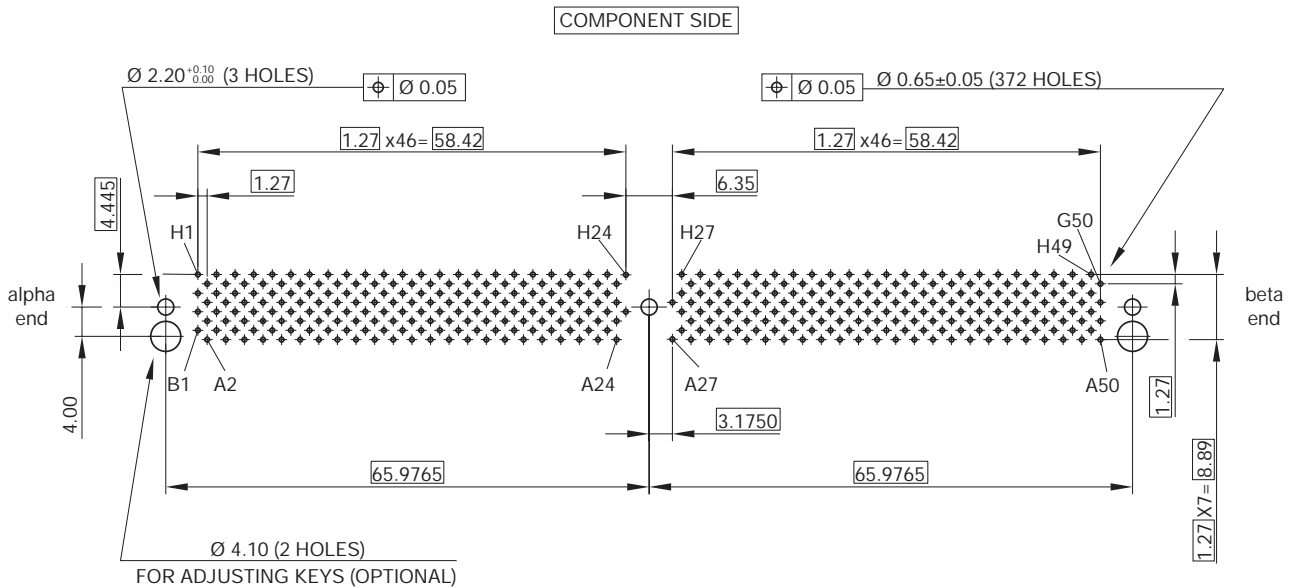


Mounting pattern, in parallel arrangement board-to-board connection, or motherboard application when connectors use reverse gender contacts, (recommended PCB hole configuration).

Socket connector, 372 contact positions, dip solder termination style



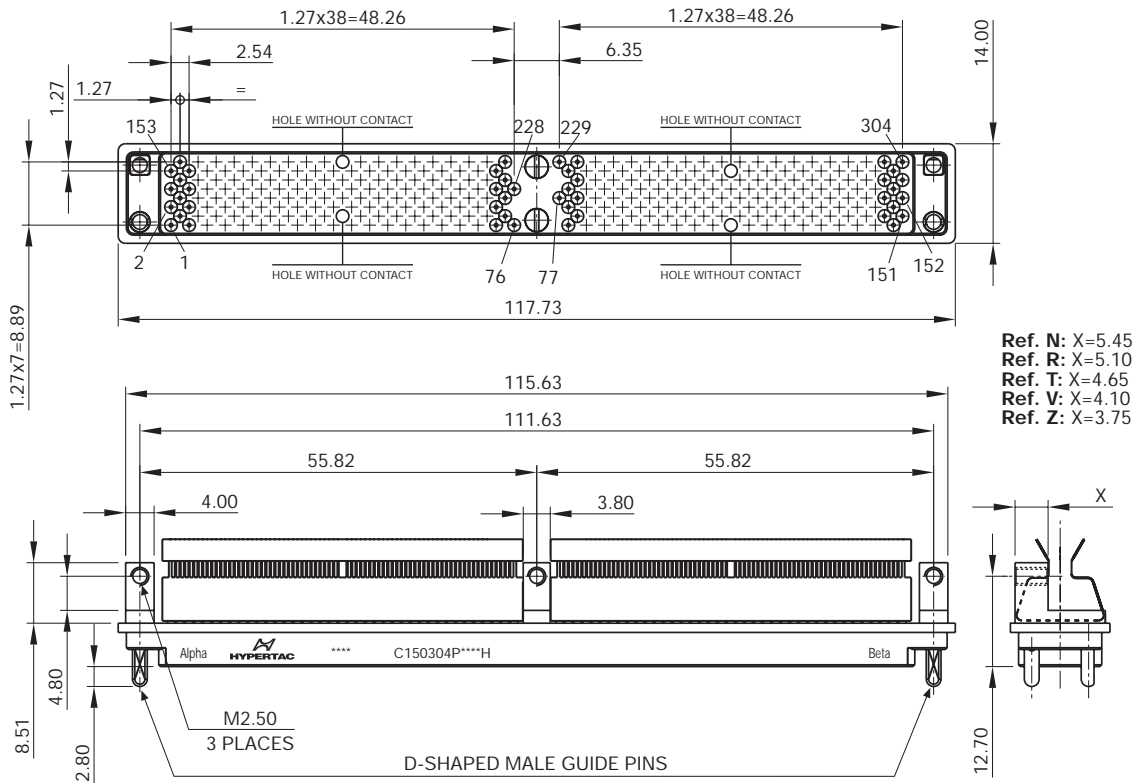
Socket connector, 372 contact positions, dip solder (straight) termination style



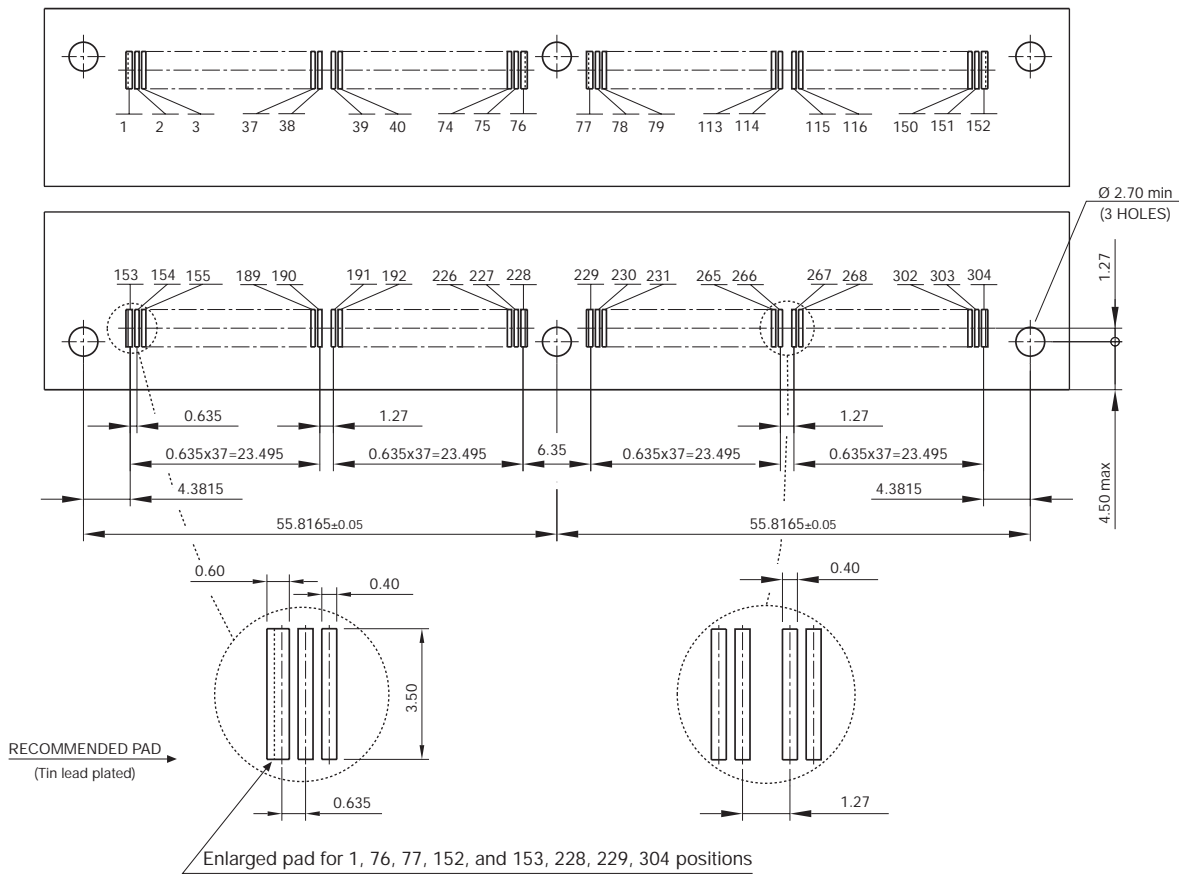
Mounting pattern, motherboard application, or in parallel arrangement board-to-board connection, (recommended PCB hole configuration)



Pin connector, 304 contact positions, surface mount tail termination style



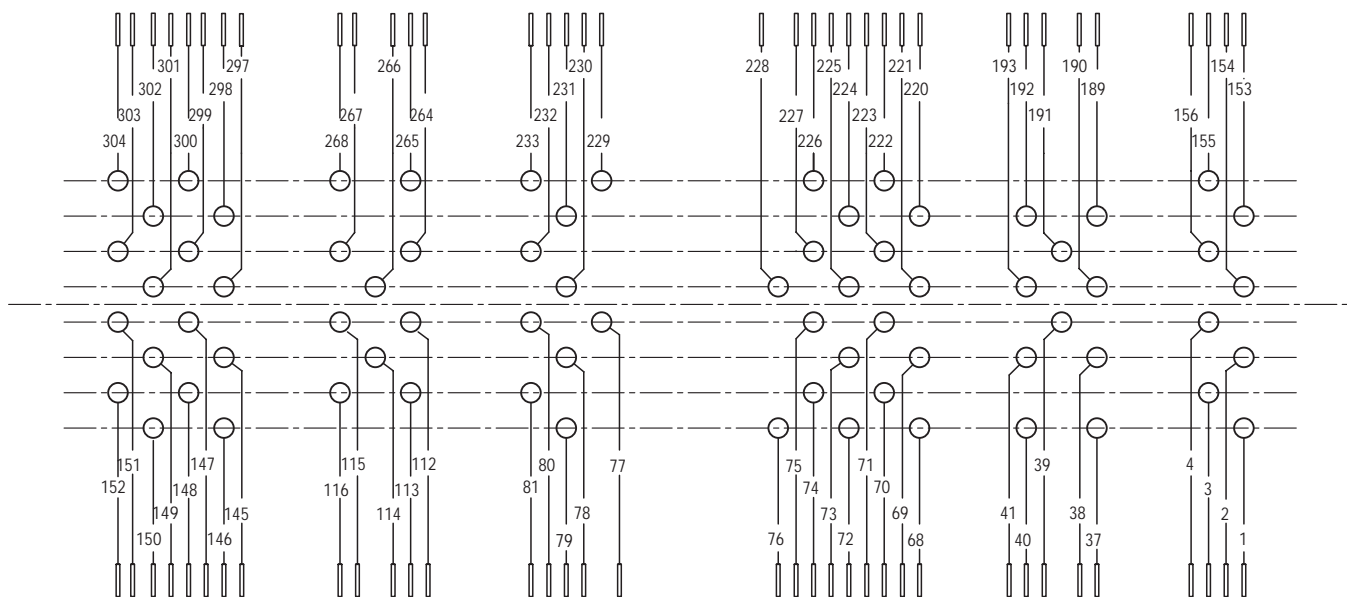
Pin connector, 304 contact positions, surface mount tail contact termination style, board package thickness from 1.30 to 5.80 mm.



Mounting pattern, daughterboard application, or in line arrangement board-to-board connection

Dimensions are in mm

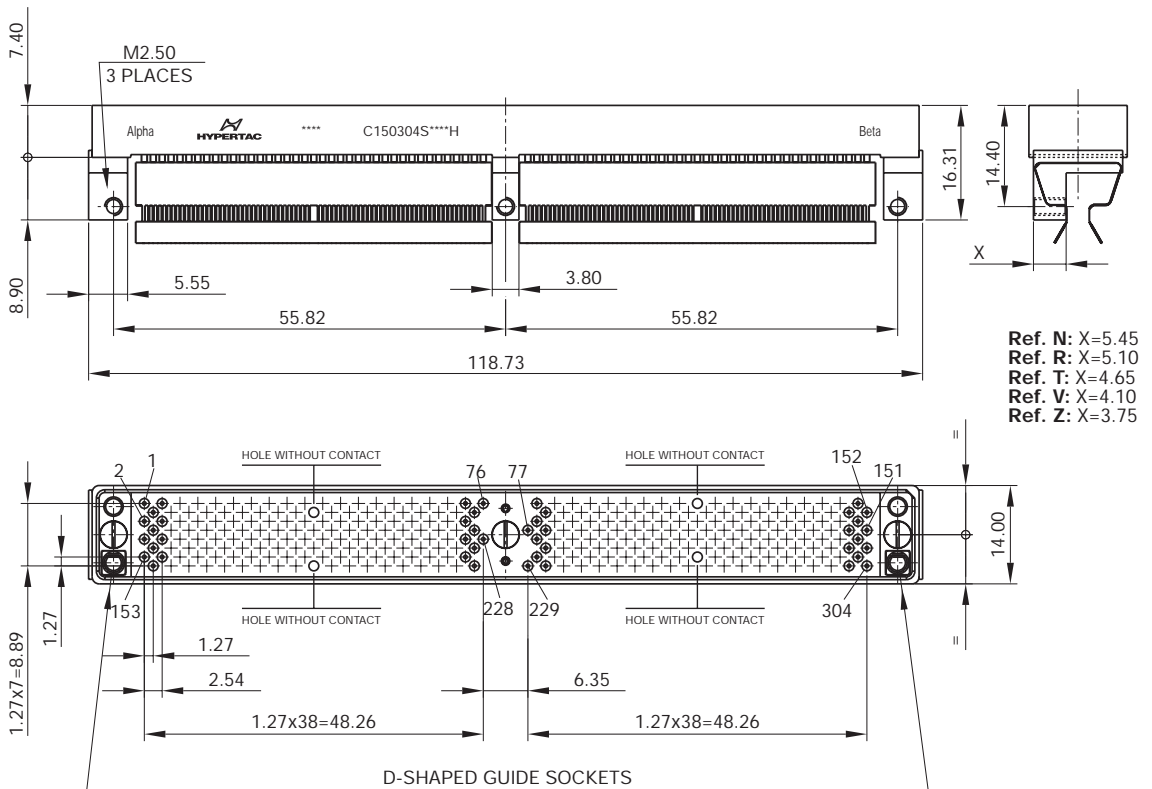
Pin connector, 304 contact positions, surface mount tail termination style



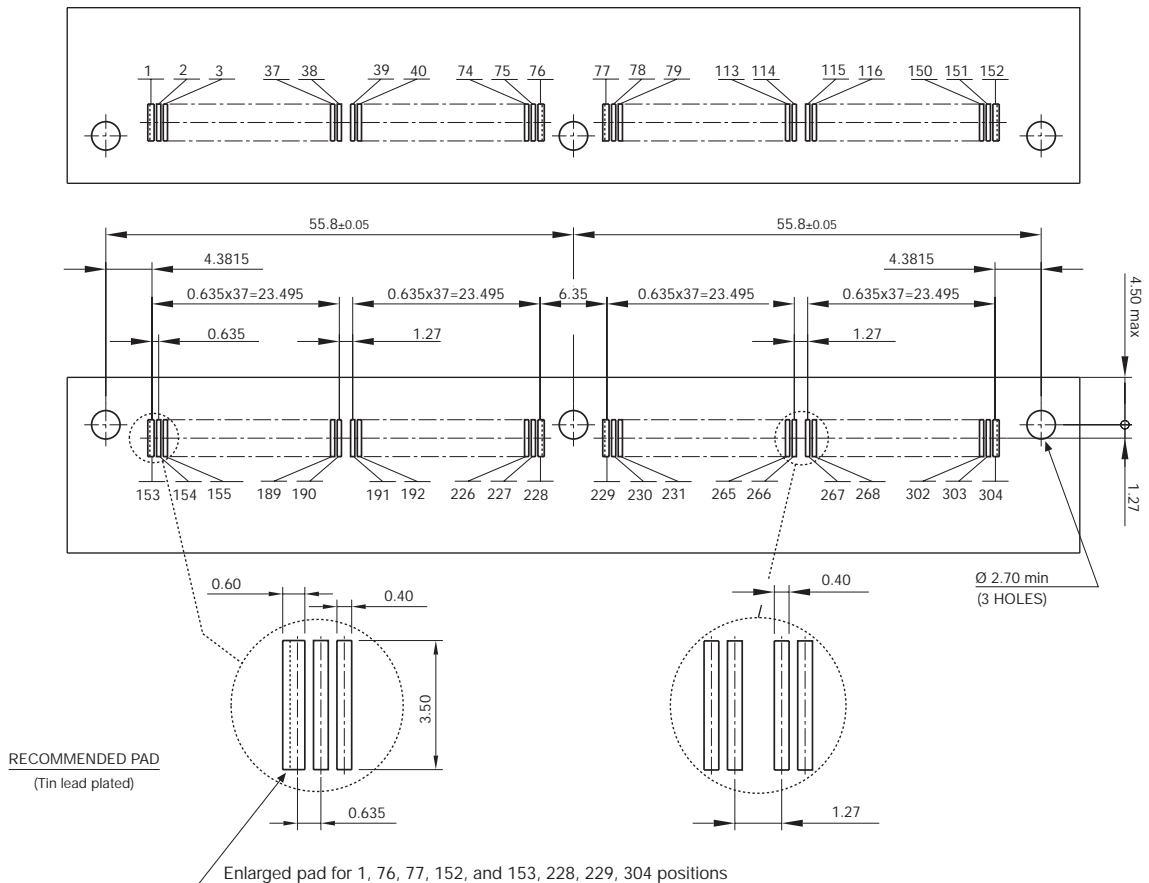
SIDE OPPOSITE PIN CONNECTOR

Flex-circuits contact assignment diagram

Socket connector, 304 contact positions surface mount tail termination style



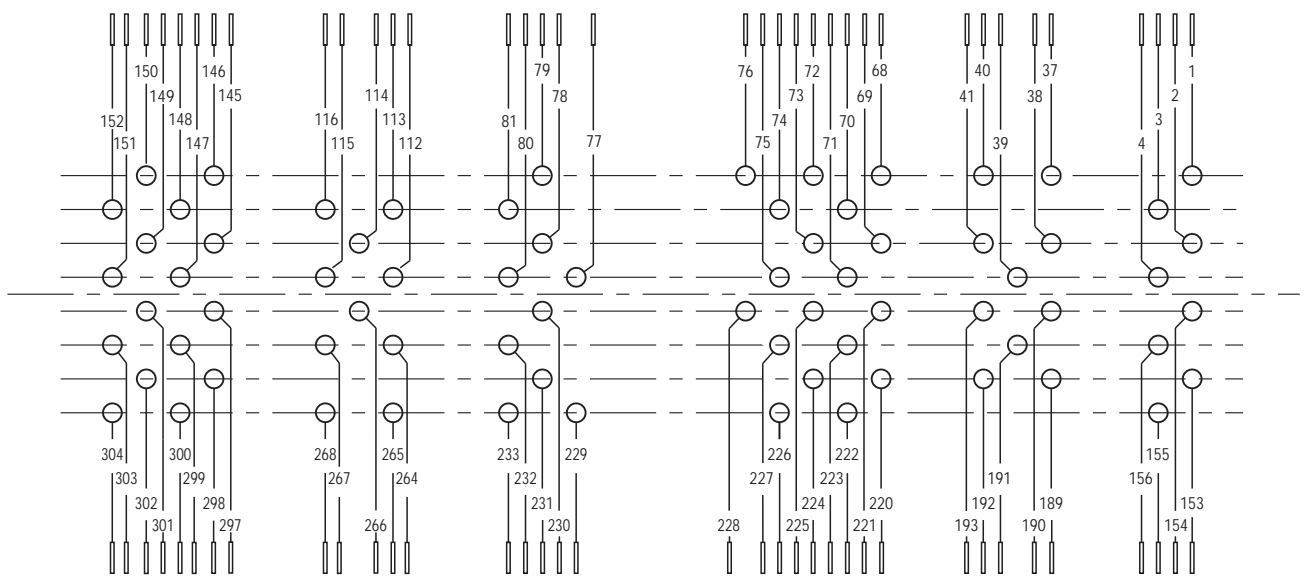
Socket connector, 304 contact positions, surface mount tail contact termination style, board package thickness from 1.30 to 5.80 mm.



Mounting pattern, in line arrangement board-to-board connection, or daughterboard application when connector use reverse gender contacts.

Dimensions are in mm

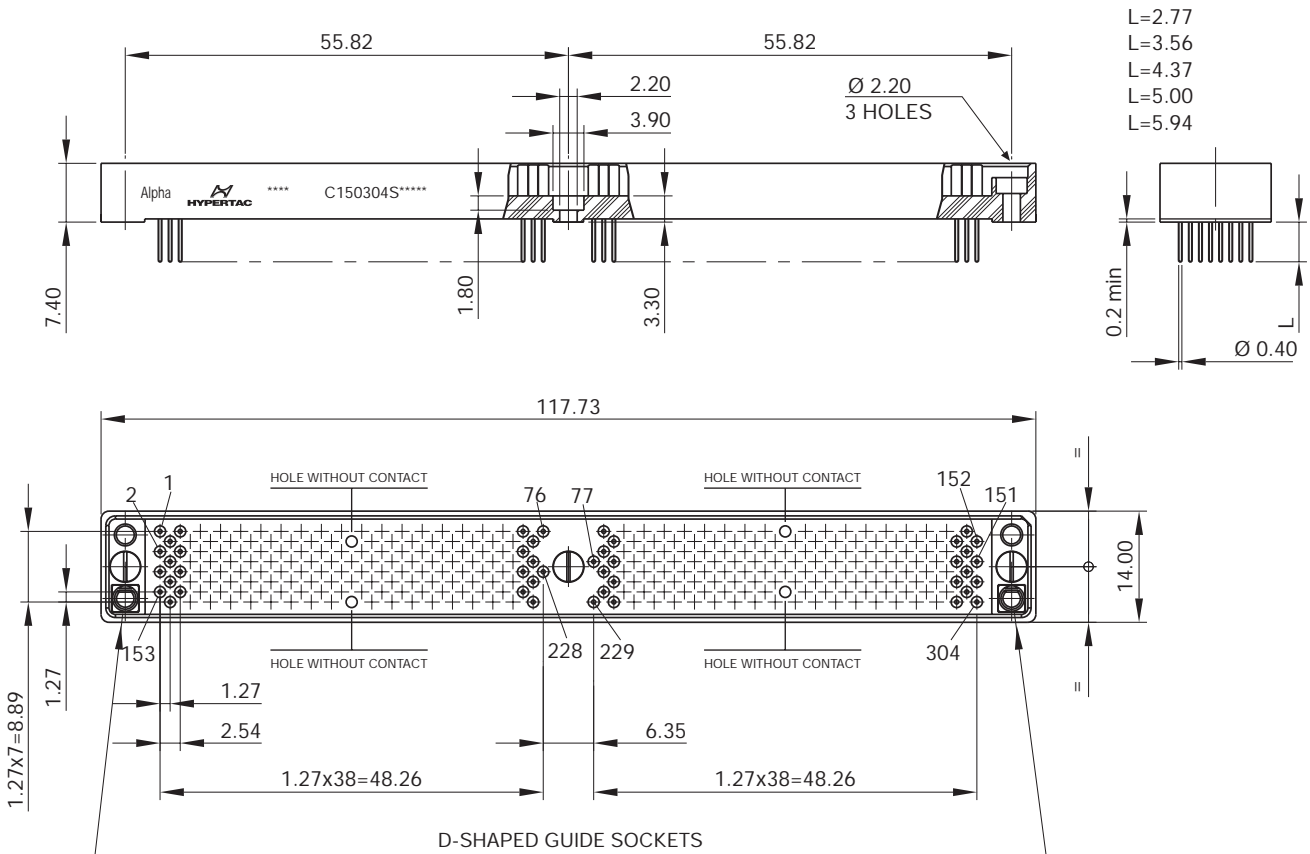
Socket connector, 304 contact positions surface mount tail termination style



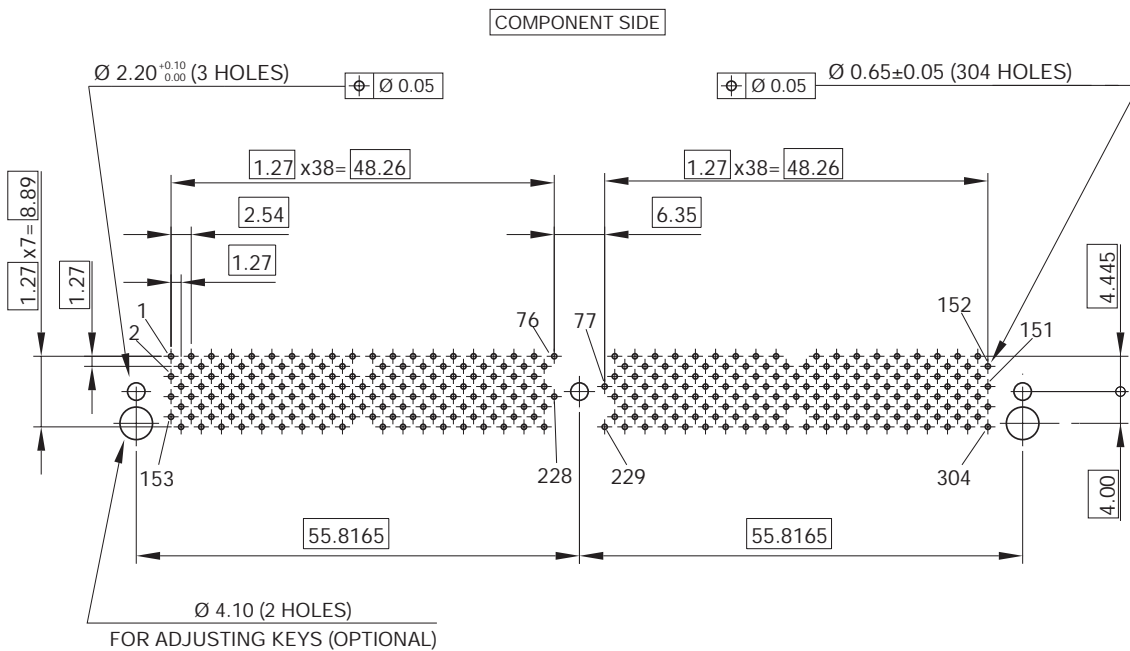
SIDE OPPOSITE SOCKET CONNECTOR

Flex-circuits contact assignment diagram

Socket connector, 304 contact positions, dip solder termination style



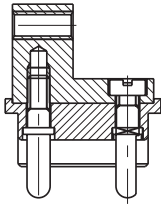
Socket connector, 304 contact position, dip solder (straight) termination style.



Mounting pattern, motherboard application, or in parallel arrangement board-to-board connection, (recommended PCB hole configuration)

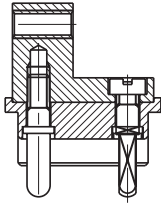
Hardware code

LATERAL POSITION



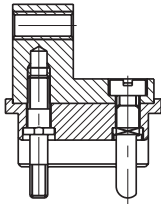
**TYPE Y**

- SPANNER WRENCH: ref. ord. 14613- 2
- MALE GUIDE PIN: with loctite 242 (blue)
- POLARIZED MALE GUIDE PIN:  
pos. 00: without loctite  
pos. 01+16: with loctite 242 (blue)



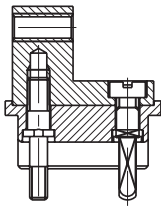
**TYPE P**

- SPANNER WRENCH: ref. ord. 14613- 2
- MALE GUIDE PIN: with loctite 242 (blue)
- OMNIPOLARIZED MALE GUIDE PIN:  
pos. 17: with loctite 242 (blue)



**TYPE K**

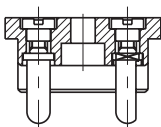
- SPANNER WRENCH: ref. ord. 14613- 2
- SCREW LOCK
- POLARIZED MALE GUIDE PIN:  
pos. 00: without loctite  
pos. 01+16: with loctite 242 (blue)



- SPANNER WRENCH: ref. ord. 14613- 2
- SCREW LOCK
- OMNIPOLARIZED MALE GUIDE PIN:  
pos. 17: with loctite 242 (blue)

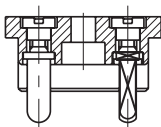
Hardware code for pin connector, surface mount tail contact terminal style

LATERAL POSITION



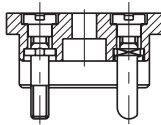
**TYPE Y**

- SPANNER WRENCH: ref. ord. 14613- 2
- MALE GUIDE PIN: with loctite 242 (blue)
- POLARIZED MALE GUIDE PIN:  
pos. 01+16: without loctite



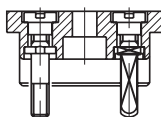
**TYPE P**

- SPANNER WRENCH: ref. ord. 14613- 2
- MALE GUIDE PIN: with loctite 242 (blue)
- OMNIPOLARIZED MALE GUIDE PIN:  
pos. 17: with loctite 242 (blue)



**TYPE K**

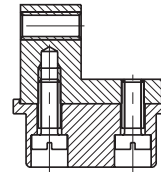
- SPANNER WRENCH: ref. ord. 14613- 2
- SCREW LOCK
- POLARIZED MALE GUIDE PIN: without loctite  
pos. 01+16: without loctite



- SPANNER WRENCH: ref. ord. 14613- 2
- SCREW LOCK
- OMNIPOLARIZED MALE GUIDE PIN:  
pos. 17: with loctite 242 (blue)

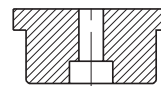
Hardware code for pin connector, dip solder contact terminal style

CENTRAL POSITION



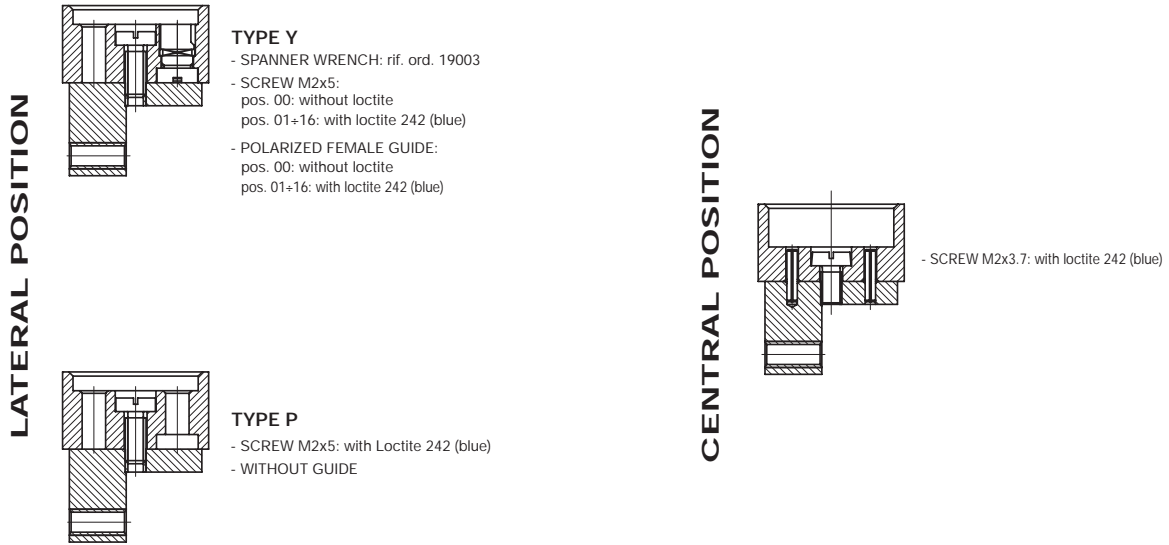
- Screw M2x5: with loctite 242 (blue)

CENTRAL POSITION

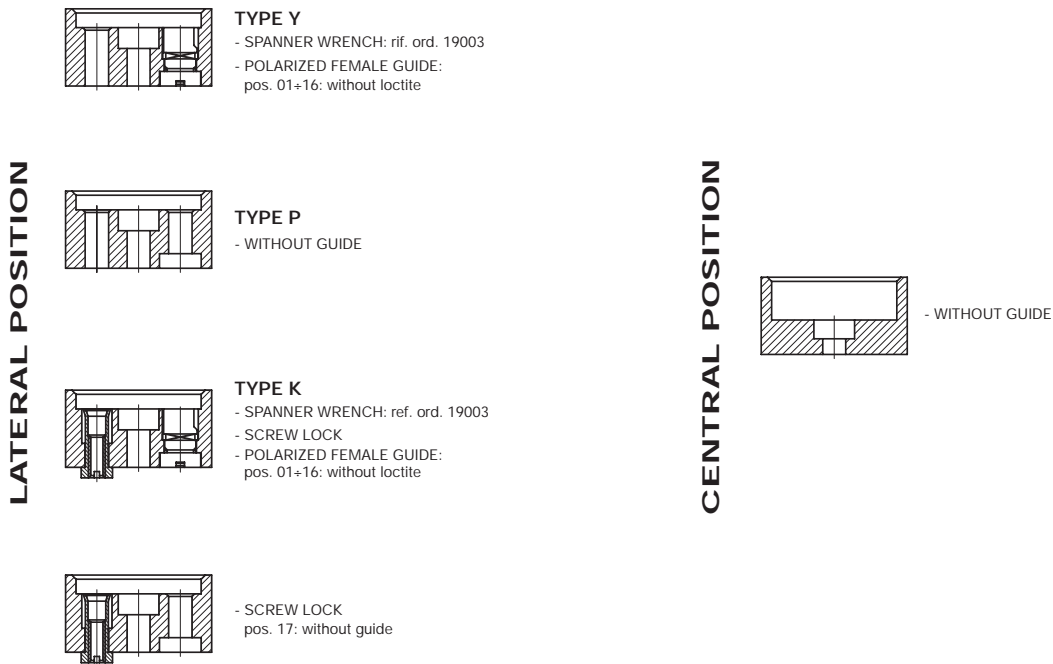


- Without guide

Hardware code

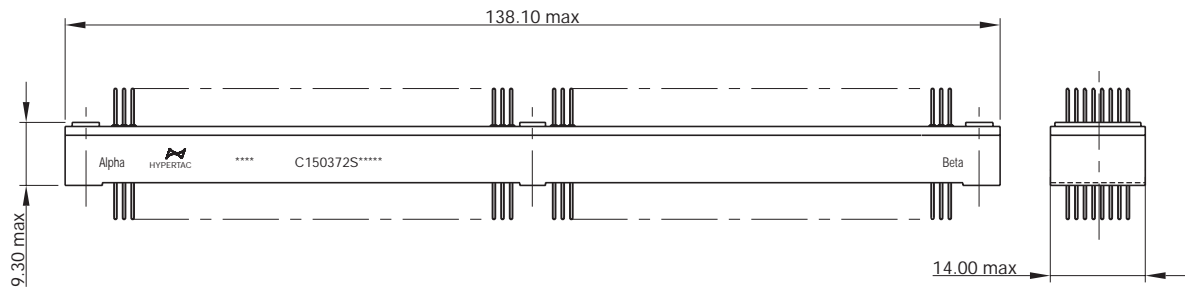


Hardware code for socket connector, surface mount tail contact terminal style

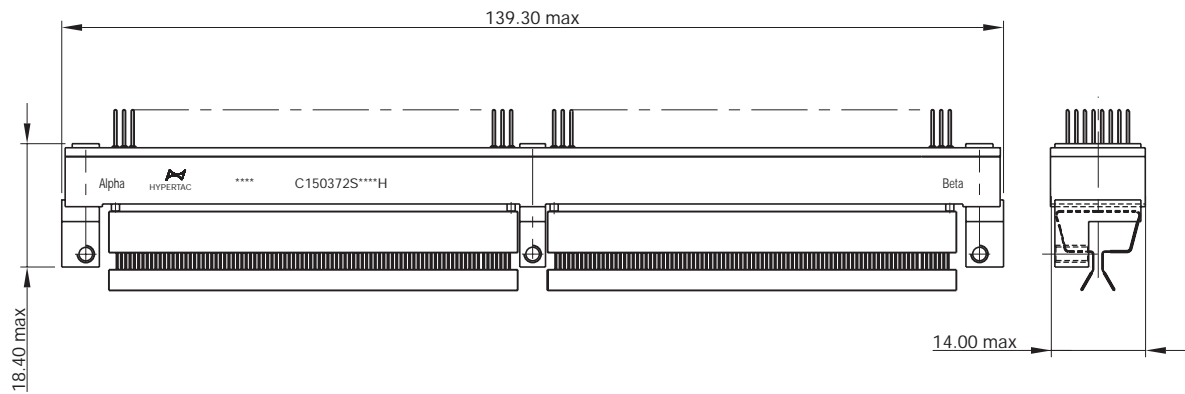


Hardware code for socket connector, dip solder contact terminal style

Maximum dimensions of mated connectors



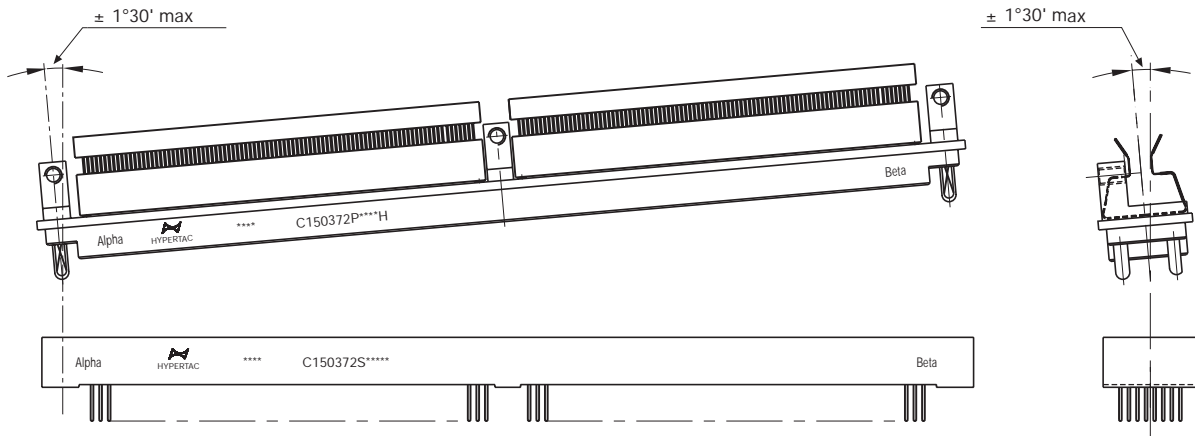
Maximum dimensions of mated connectors: pin and socket connectors dip solder (straight), contact terminals equipped.



Maximum dimensions of mated connectors: pin connector dip solder (straight), contact terminals equipped, and socket connector surface mount tail contact terminals equipped.



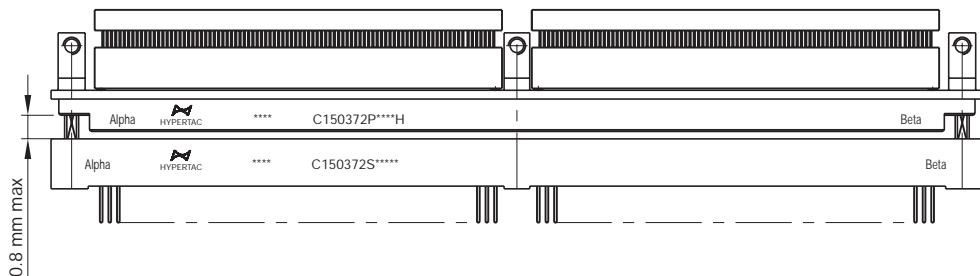
The connector halves mating



Maximum permissible inclination, in longitudinal and in trasversal axis, between the pin connector and the socket connector, in order to ensure the acceptable electrical engagement made by all contacts.



Maximum permissible displacement, between the pin connector and the socket connector, in order to ensure suitable fully insertion of the connector halves.



Maximum permissible separation distance, between the pin connector and the socket connector, in order to ensure the acceptable electrical engagement made by all contacts.