



### 3 Contact Row Signal Connectors

- Offset-grid contact layout, three contact rows within dielectric connector body, 2.54 mm center-to-center contact spacing in each row and 2.54 row-to-row spacing.
- 0.76 mm nominal pin DIA contact size, 80 and 160 contact positions, dip solder and SMT soldering contact termination types.
- High shock and vibration proof (no micro interruptions - test: 2ns).
- Conforms to MIL-DTL-55302/138 & 139.
- For Military (EH101) applications.

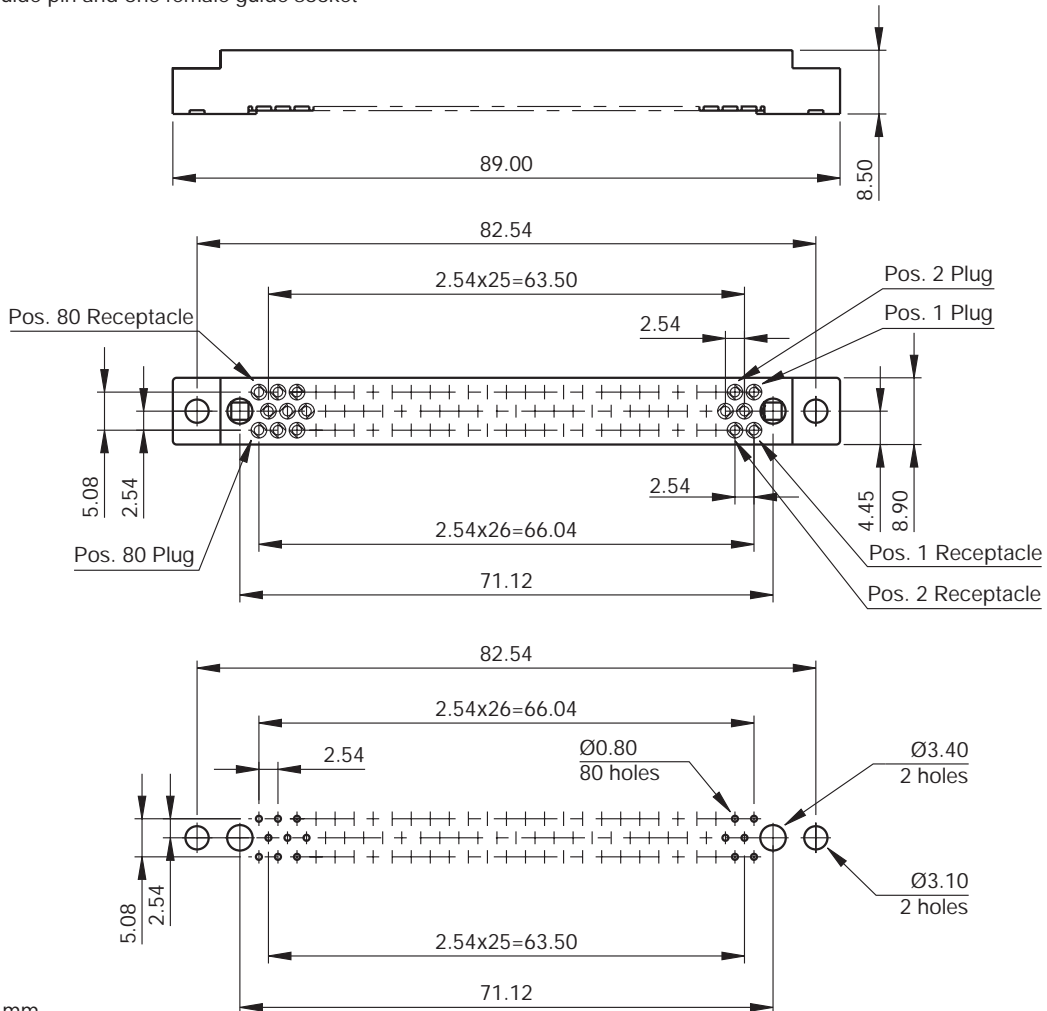
### Technical Characteristics

Contact Number	80, 160
Contact Diameter	0.76 mm nominal pin DIA
Current Rating	5A
Contact Resistance	7.0 mΩ maximum
Extraction Force	<110 g/cont.
Contact Life Cycle	>10.000 cycles
Dielectric Withstanding Voltage	> 1000 V rms – Sea level
Temperature Rating	-55 °C to +150 °C
Insulation Resistance	>10 <sup>6</sup> MΩ at 500 V dc
Insulator	- thermosetting according to MIL-M14 and thermoplastic according to MIL-M-24519 - ESA SCC 3401 Outgassing requirements compliance
Contact - Material - Plating	Brass Gold Plate
Guide Hardware	Nickel plated brass or stainless steel

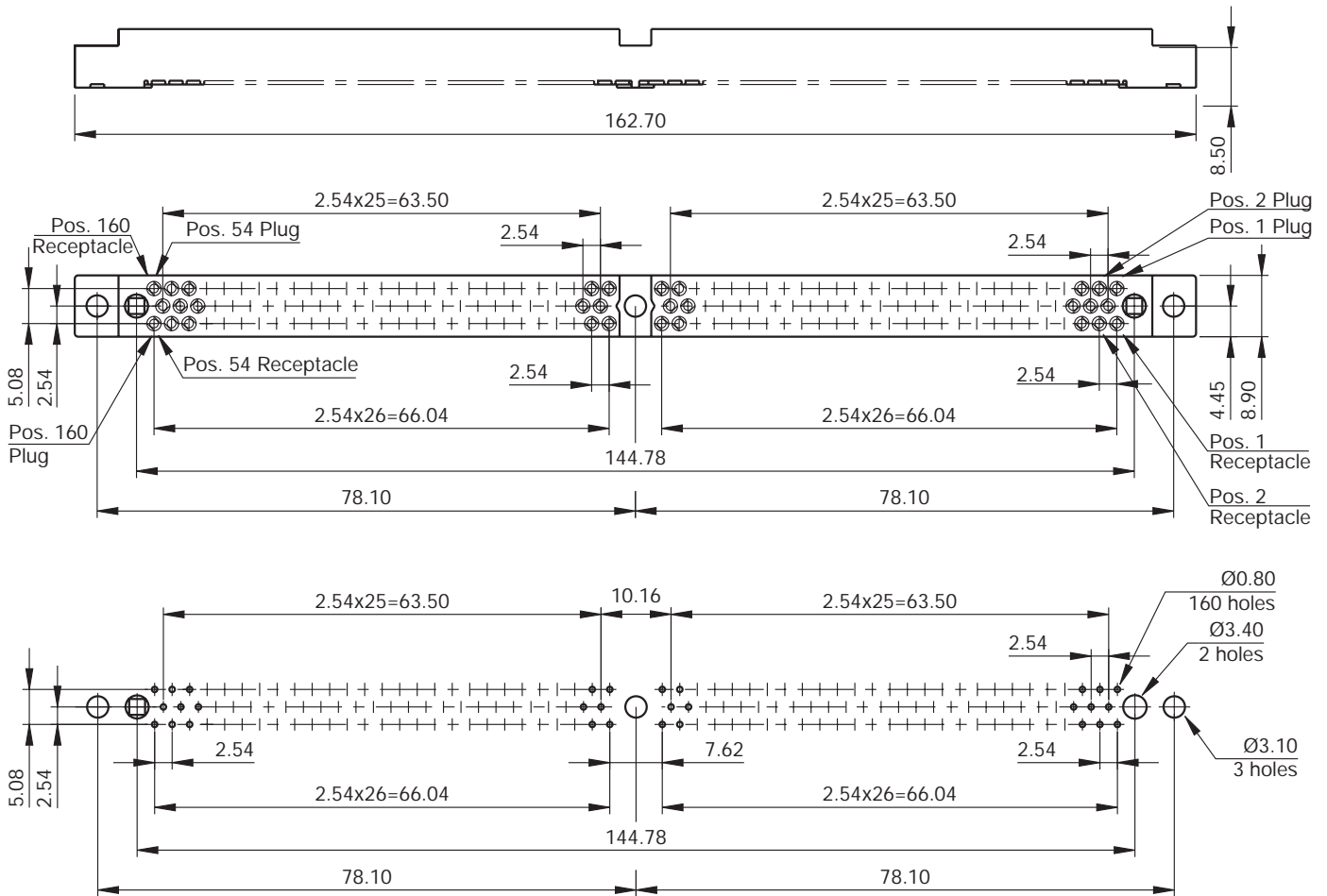
### Ordering Information

<b>Connector family</b>	ST1006	<b>Contact arrangement: three rows</b>	C	* * *	* *	*	*	* *	*	<b>Contact finishing</b>	Plating standard Plating conforming to MIL-DTL-55302	T H
<b>Connector size</b>	80, 160	<b>Connector and contact style</b>	Receptacle female Plug male	EF PM						<b>Hardware polarization</b>	Without guide Guide type Y (pos. 1 without Loctite) Guide type X (pos. 69 without Loctite) Guide type Y <sup>(1)</sup> Guide type X <sup>(2)</sup> Guide type X, Y shipped loose <sup>(3)</sup> Guide type X, Y shipped loose <sup>(3)</sup> Guide type X, Y shipped loose <sup>(3)</sup>	00 00 00 01÷64 69÷72 97 98 99
<b>Contact terminal style</b>	Straight Straight Straight Wire wrap Wire wrap for PCB for PCB Solder cup	D E G Y W F H S						<b>Hardware code</b>	D-shaped Full round Without guide	Y X O		

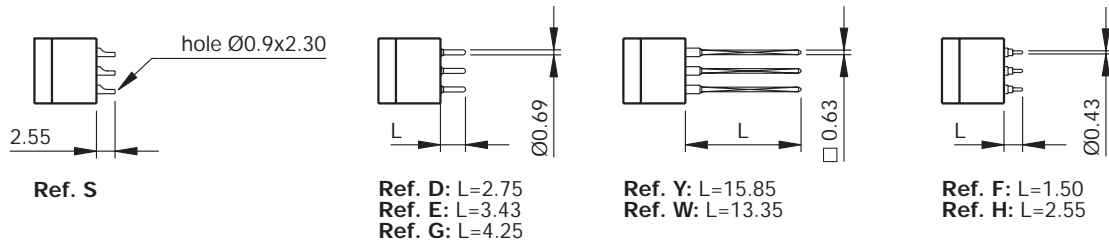
- <sup>(1)</sup> Polarization guide type Y:  
01÷32: one male guide pin and one female guide socket  
33÷48 Plug: two male guide pin  
Receptacle: two female guide socket
- <sup>(2)</sup> Polarization guide type X:  
69÷70: one male guide pin and one female guide socket  
71÷72 Plug: two male guide pin  
Receptacle: two female guide socket
- <sup>(3)</sup> Loose guide:  
97 - two male guide pin  
98 - two female guide socket  
99 - one male guide pin and one female guide socket



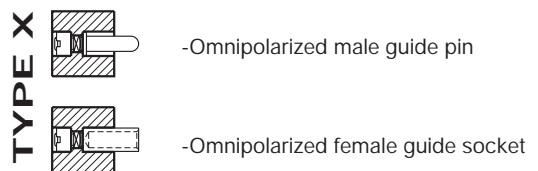
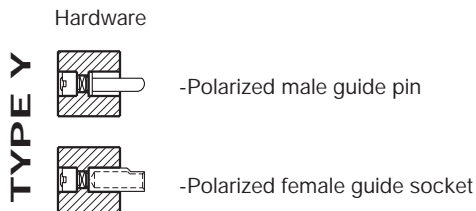
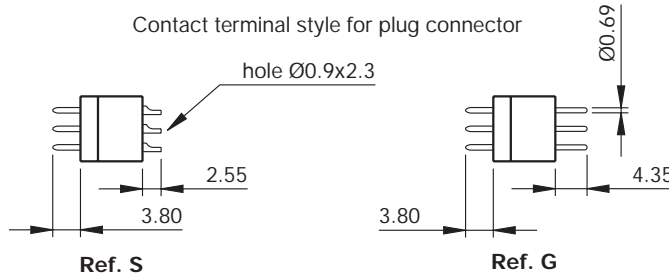
Dimensions are in mm



Contact terminal style for receptacle connector

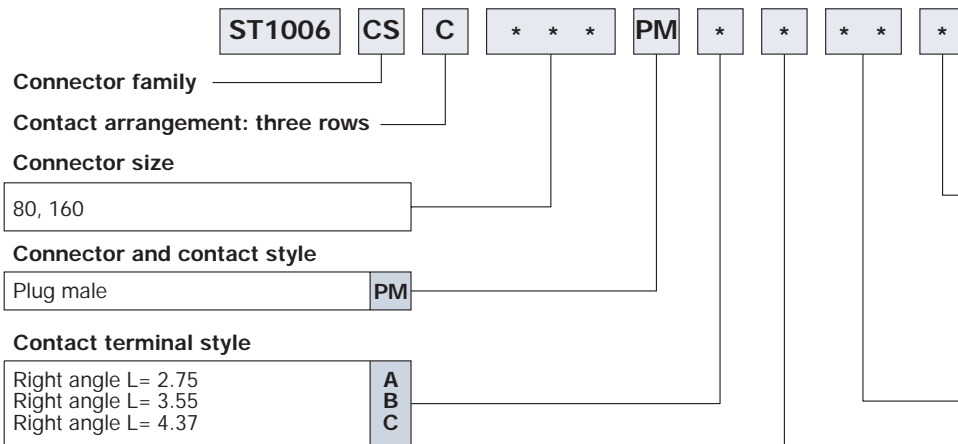


Contact terminal style for plug connector



Dimensions are in mm

### Ordering Information



**Contact finishing**

Plating standard	T
Plating conforming to MIL-DTL-55302	H

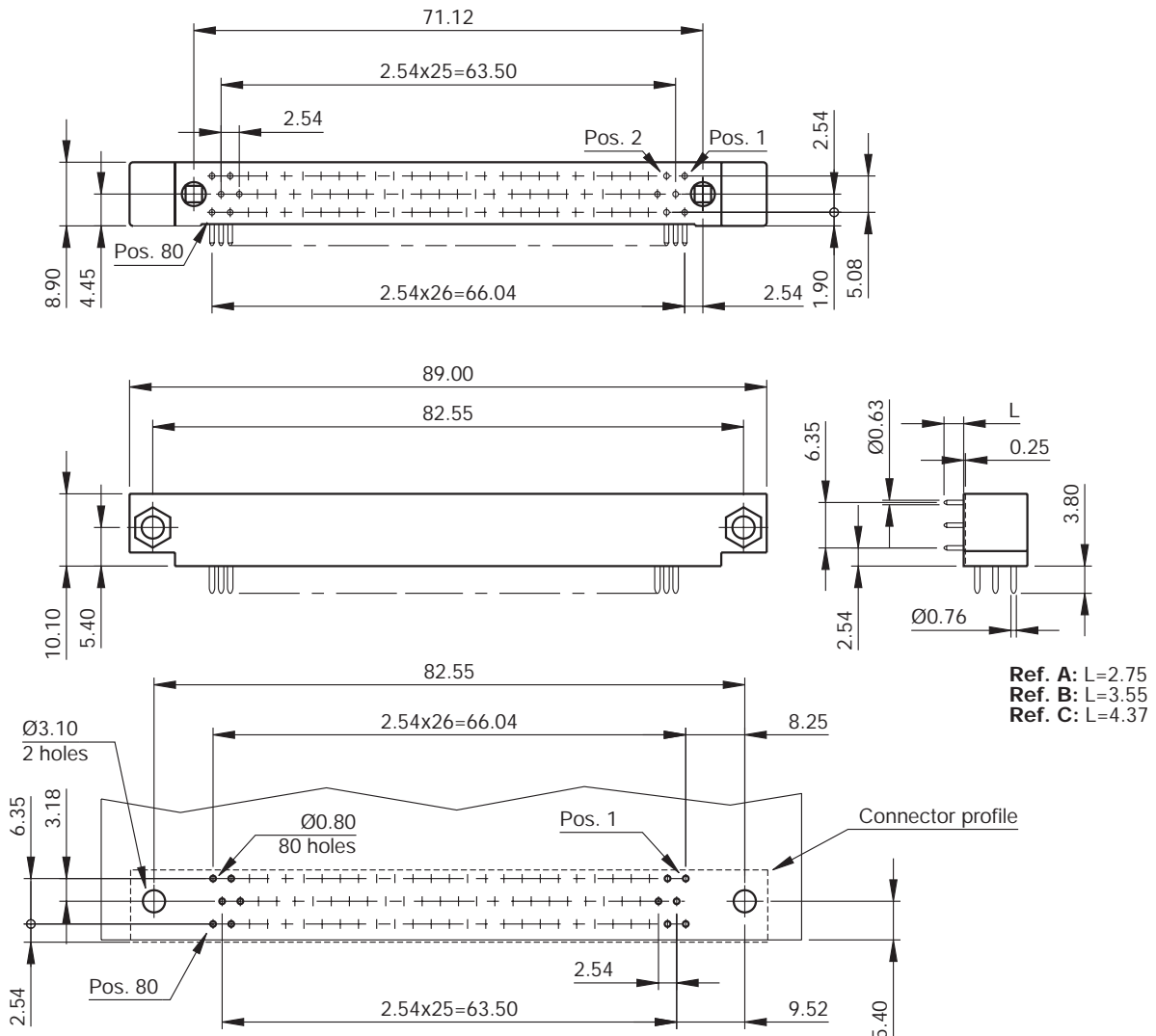
**Hardware polarization**

Without guide	00
Guide type Y (pos. 1 without Loctite)	00
Guide type X (pos. 69 without Loctite)	00
Guide type Y <sup>(1)</sup>	01+64
Guide type X <sup>(2)</sup>	69+72
Guide type X, Y shipped loose <sup>(3)</sup>	97
Guide type X, Y shipped loose <sup>(3)</sup>	98
Guide type X, Y shipped loose <sup>(3)</sup>	99

**Hardware code**

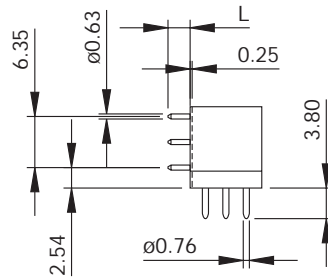
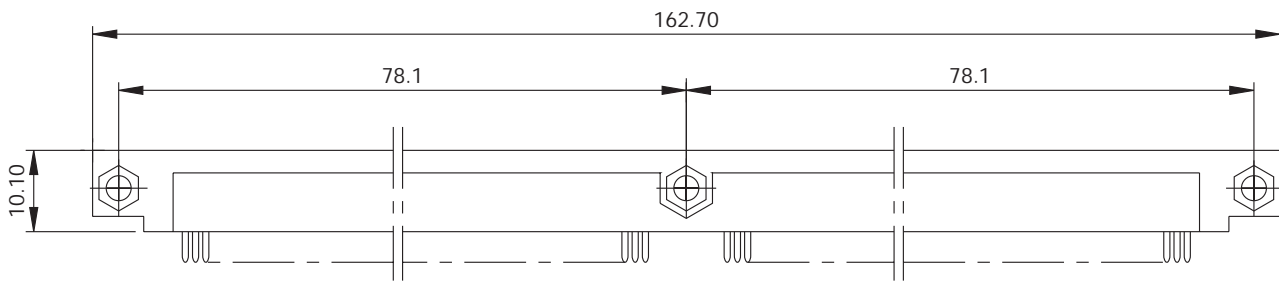
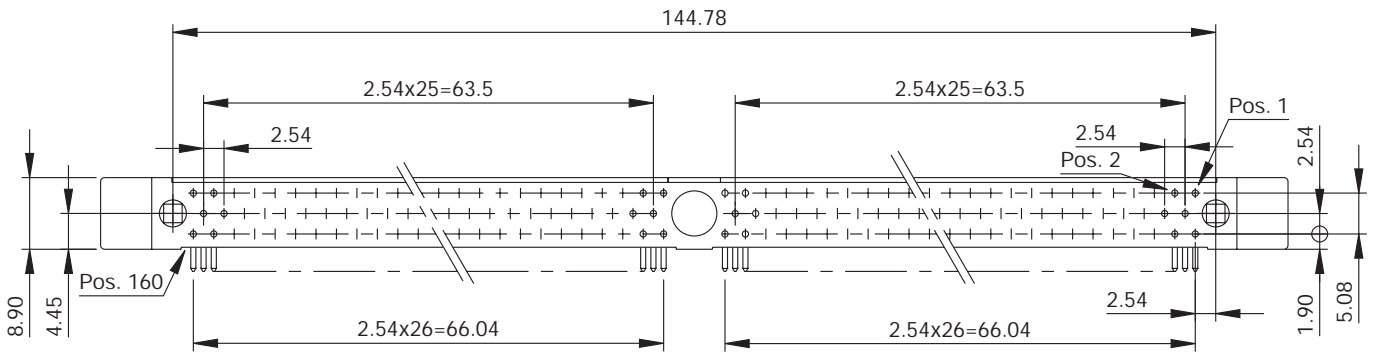
D-shaped	Y
Full round	X
Without guide	O

- <sup>(1)</sup> Polarization guide type Y:  
 01+32: one male guide pin and one female guide socket  
 33+48 Plug: two male guide pin  
 Receptacle: two female guide socket
- <sup>(2)</sup> Polarization guide type X:  
 69+70: one male guide pin and one female guide socket  
 71+72 Plug: two male guide pin  
 Receptacle: two female guide socket
- <sup>(3)</sup> Guide shipped loose:  
 97 - two male guide pin  
 98 - two female guide socket  
 99 - one male guide pin and one female guide socket

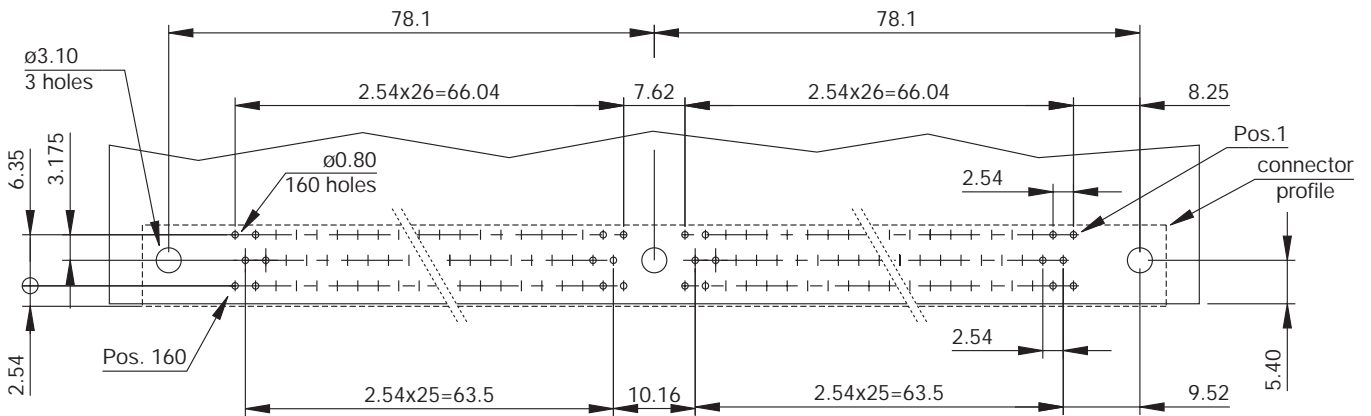


Ref. A: L=2.75  
 Ref. B: L=3.55  
 Ref. C: L=4.37

Dimensions are in mm

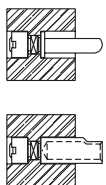


Ref. A: L=2.75  
 Ref. B: L=3.55  
 Ref. C: L=4.37



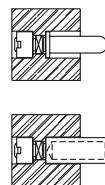
Hardware

**TYPE Y**



- Polarized male guide pin
- Polarized female guide socket

**TYPE X**



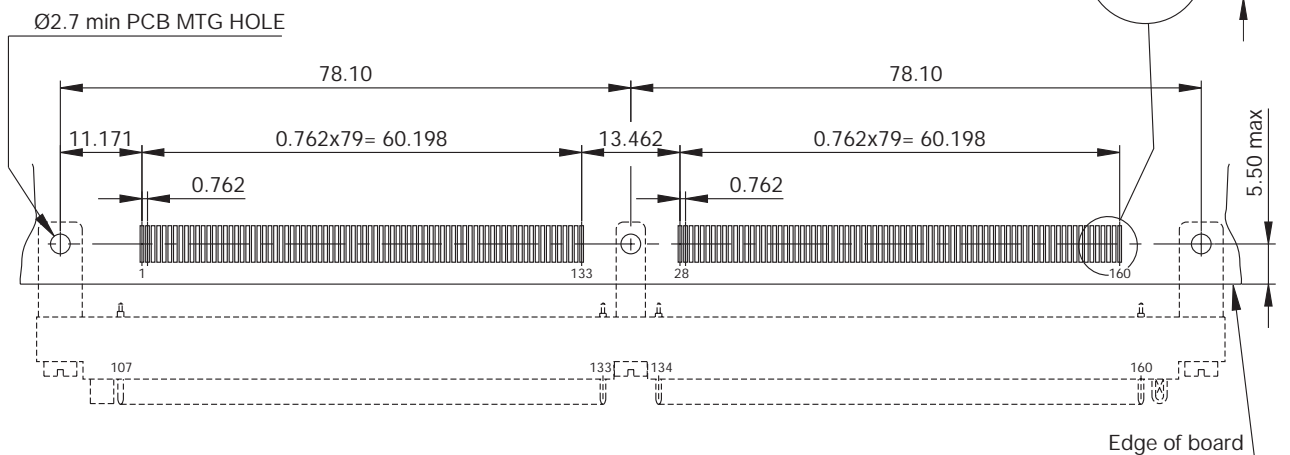
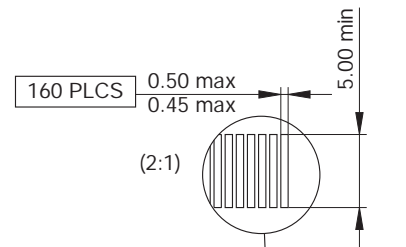
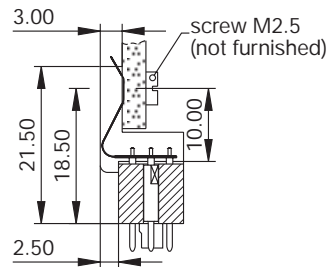
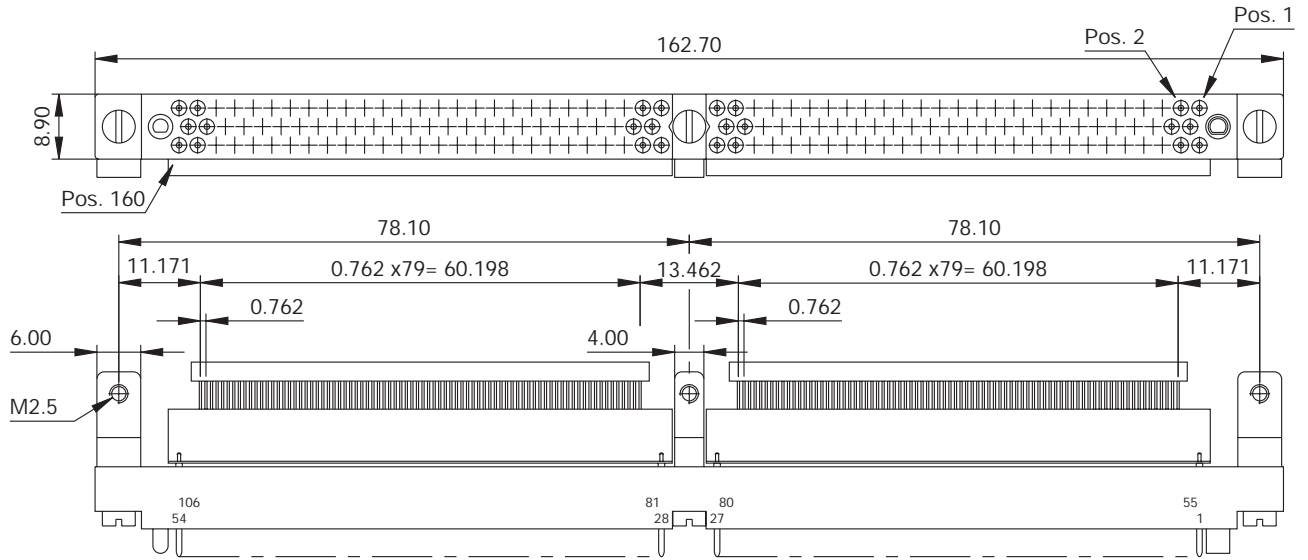
- Omnipolarized male guide pin
- Omnipolarized female guide socket

Dimensions are in mm

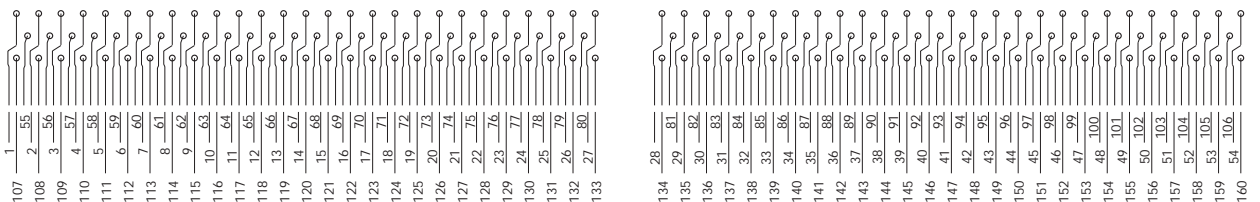
### Ordering Information

**CSC160PMU** \* \* \* / **18937**

- Hardware code      See ST.1006 connector
- Hardware polarization      See ST.1006 connector
- Contact finishing      See ST.1006 connector



Assignment Diagram (termination side)

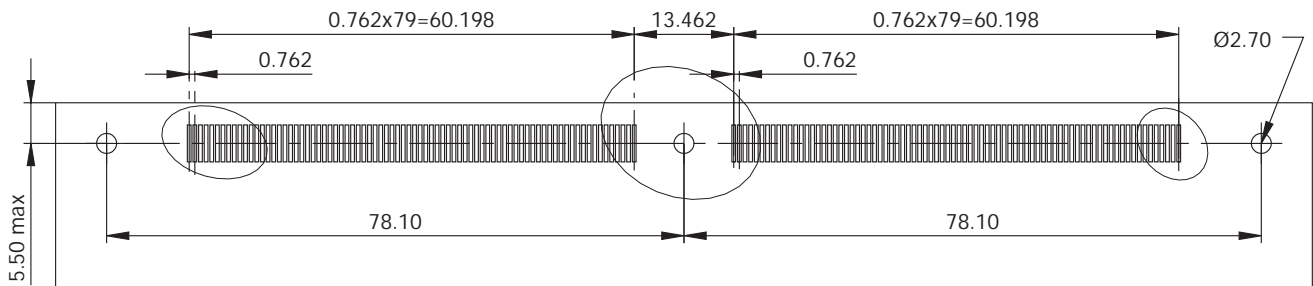
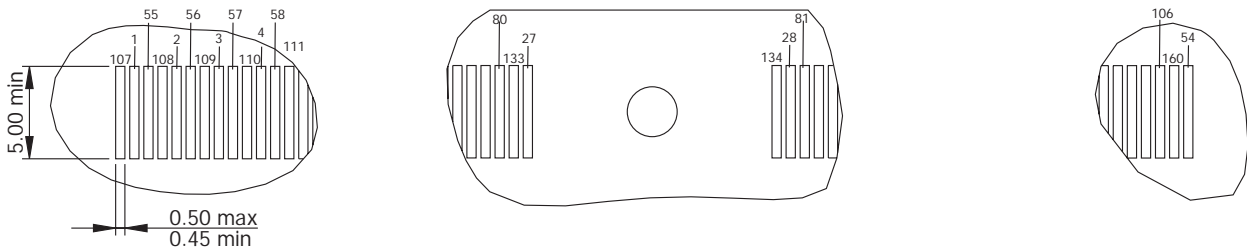
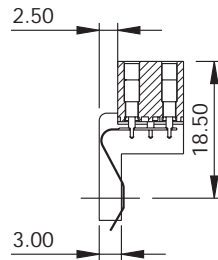
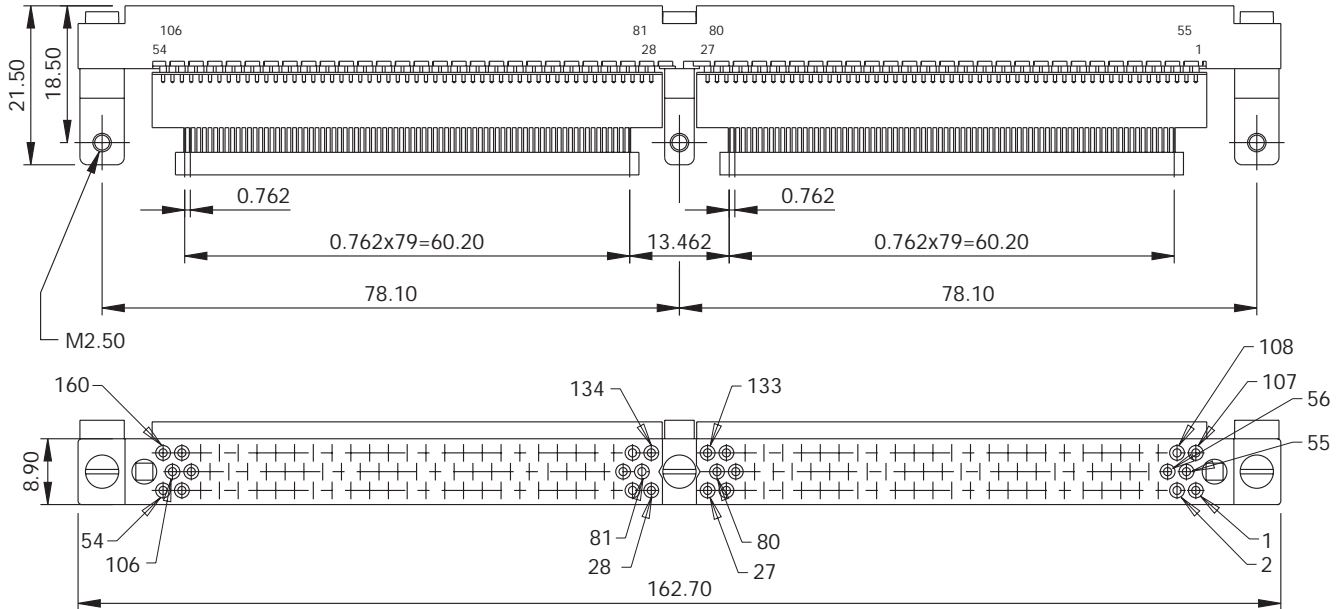


Dimensions are in mm

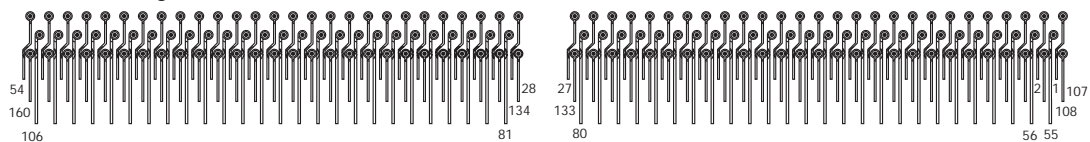
### Ordering Information

**CSC160EFU** \* \* \* \* / **21676**

- Hardware code See ST.1006 connector
- Hardware polarization See ST.1006 connector
- Contact finishing See ST.1006 connector



Contact assignment (termination side)



Dimensions are in mm

