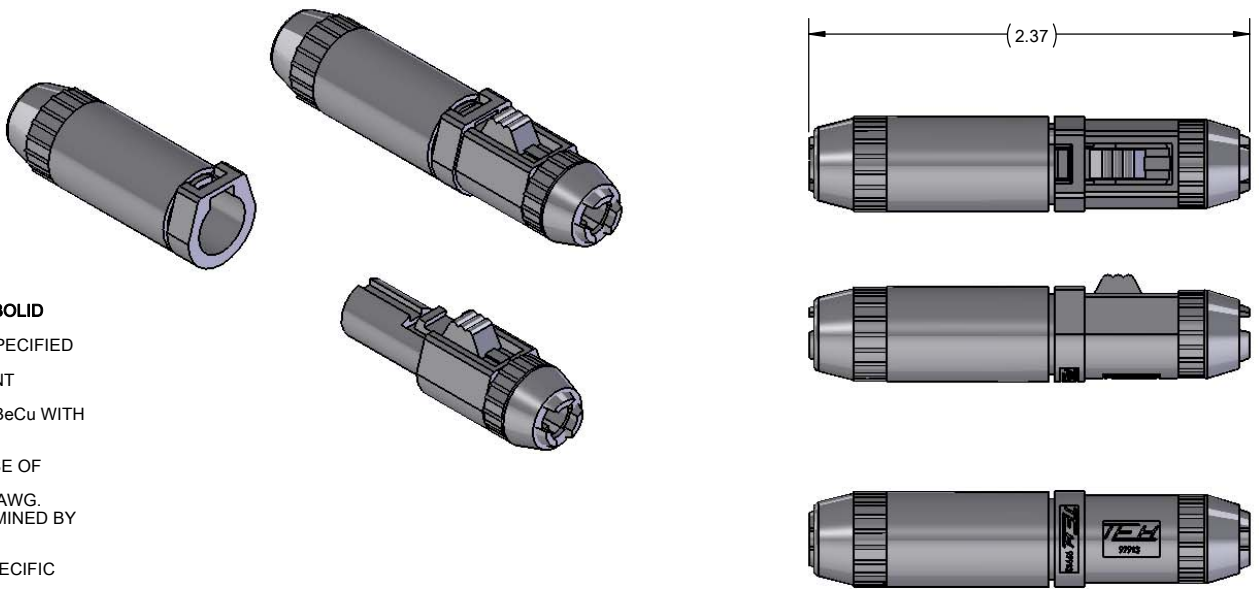
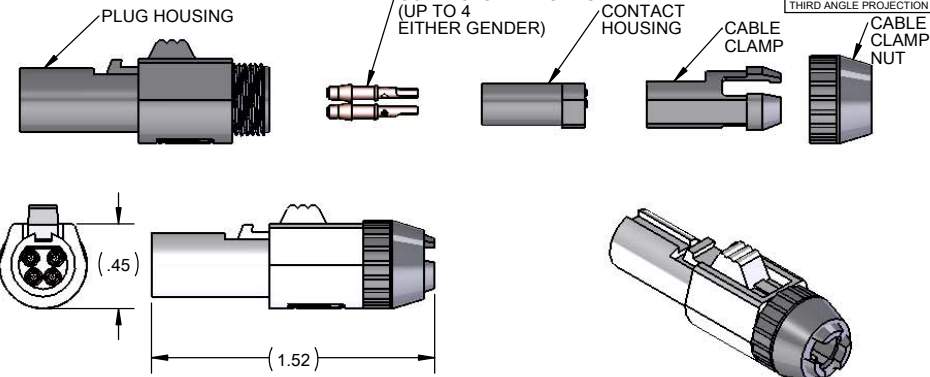
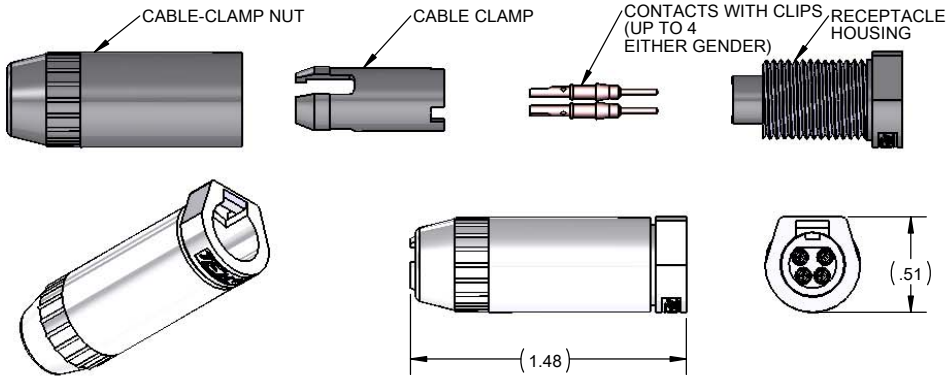
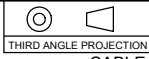


THIS PRINT IS THE PROPERTY OF IEH CORPORATION AND IS LOANED SOLELY FOR THE PURPOSES OF THAT CORPORATION AND IS SUBJECT TO RETURN UPON DEMAND. IT IS STRICTLY CONFIDENTIAL AND IS LOANED WITH THE UNDERSTANDING THAT NEITHER IT NOR ANY INFORMATION CONTAINED THEREIN WILL BE COPIED, PUBLISHED, OR TRANSMITTED TO OTHERS.



- **IEH CIRCULAR CONNECTOR WITH HIGH PERFORMANCE HYPERBOLID CONTACTS**
- PUSH TO LATCH; PRESS TO RELEASE; SAFETY RELEASE AT A SPECIFIED MIN. VALUE
- CABLE MOUNT PLUG; RECEPTACLE BOTH CABLE & PANEL MOUNT AVAILABLE
- HOUSING MATERIAL SELECTION OPTIONAL; CONTACTS BRASS/BeCu WITH NICKEL & GOLD PLATING.
- CONTACT GENDERS ARE INTERCHANGEABLE WITH HOUSINGS
- CONTACTS SNAP INTO HOUSINGS WITH USE OF A CLIP FOR EASE OF ASSEMBLY
- CONTACTS AVAILABLE IN SOLDER-CUP OR CRIMP TYPE; 18 - 26 AWG.
- CABLE SIZE AND TYPE APPLICATION SPECIFIC MUST BE DETERMINED BY END-USE SPEC'S; RECOMMENDED CABLE DIA. 0.180" - 0.216"
- AMPERAGE RATING DEPENDENT ON HOUSING MATERIAL AND APPLICATION; IEH TEST RESULT AS HIGH AS 7 AMPS. UNDER SPECIFIC CONDITIONS

LTR	
REVISION	

TOL'S 0.X± 0.XX±	0.XXX± 0.XXXX±	ANGLE±	DRAWN/DATE ROMEO 2/01/06	 140 58th Str. Brooklyn, NY 11220	
MATERIAL SEE NOTES			CHK'D/DATE		TITLE HYPERBOLOID CIRCULAR, 4-CONTACTS, CABLE & PANEL CONNECTOR
FINISHES			SCALE 1:1	DWG. NO. CMG01_4-CONTACTS	REV.