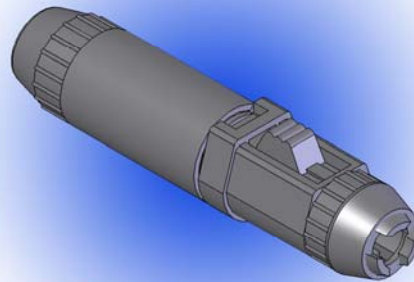
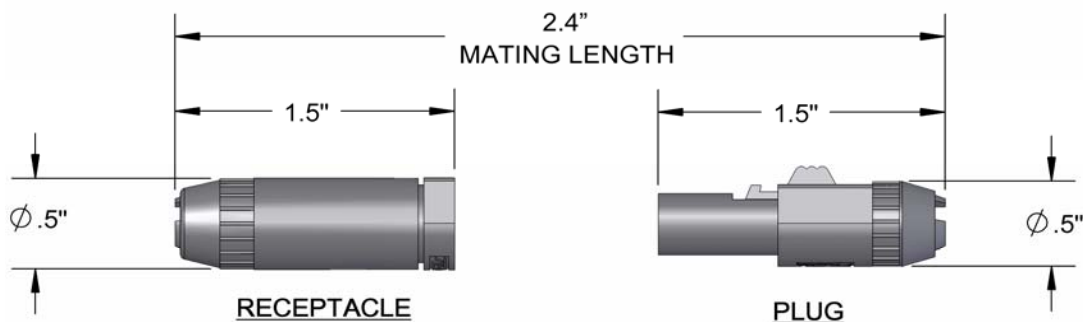


MINI CIRCULAR CONNECTOR CABLE-TO-CABLE , 3 CONTACTS



CMG SERIES



PERFORMANCE

- CURRENT RATING: 4 AMPS
- CONTACT SIZE: 0.6mm (0.024") PINS
- **CONTACT LIFE CYCLES: 100,000**
- TEMPERATURE RATING: -40°C TO +85 °C
- DIELECTRIC WITHSTANDING VOLTAGE: 1650V RMS
- BREAKDOWN VOLTAGE BETWEEN CONTACTS: >2250V RMS
- CONTACT RESISTANCE: <5 MILLIOHMS PER CONTACT
- SOLDER CUP TERMINATIONS: 22 – 26 AWG

MATERIALS

- INSULATOR: POLYCARBONATE, BLACK
- CONTACTS: SOCKETS – BeCu WIRE
CONTACTS WITH BRASS BODY; PINS – BRASS
- FINISH: GOLD OVER NICKEL PLATE

APPLICATIONS



MEDICAL DATA TEST EQUIP. MASS TRANSIT
Typical applications are: OEM Medical equipment such as electrophysiology catheters, monitors, MRI's, intravascular ultrasounds, defibrillators, infusion pumps and laboratory equipment; industrial applications where high reliability is required; commercial aircraft.

FEATURES

- Easy & Quick Push Button Release
- Intuitive Alignment & Polarization provided by housing for efficient mating
- Hyperboloid High Performance Contacts
- High Impact Housing
- Contacts recessed for protection
- Custom overmold and value added cables available
- Custom designs up to 9 contacts
- Custom designs to meet specific application needs including IP65 ingress protection.